

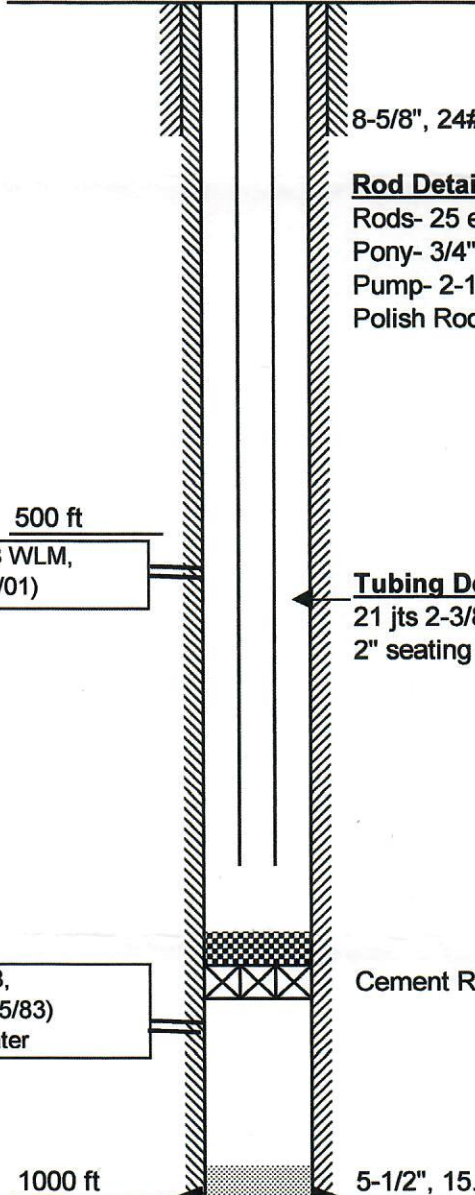


McCallum Unit #111
2402' FSL, 2240' FEL, (NW/SE), Sec. 34, T10N. R79W, 6th P.M.
Jackson County, Colorado
API # 05-057-06295

5/23/01



8088' GL
 8100' KB



8-5/8", 24#, K-55, casing set @ 168' KB w/ 110 sx to surface

Rod Detail

Rods- 25 ea 3/4" x 25'
 Pony- 3/4" x 4', 6', 6'
 Pump- 2-1/2" x 1-1/4" x 12', RWAC, set @ 677' KB est.
 Polish Rod- 1-1/4" x 16'

Tubing Detail

21 jts 2-3/8", 6.5, EUE, s/n set @ 665' KB
 2" seating nipple

500 ft
 Perf'd @ 621'-632' KB WLM,
 4 jspf, Pierre "A" (5/1/01)

Perf'd @ 906'-932' KB,
 4 jspf, Pierre "B" (9/15/83)
 Breakdown w/ KCl water

Cement Retainer @ 875' KB-WLM w/ 5 sx sand on top

1000 ft 5-1/2", 15.5#, K-55, csg set @ 1008' KB w/ 350 sx to surface

TD @ 1010' KB
 PBD @ 875' KB

