



01735399

103-10069

COASTAL OIL & GAS CORP. RECEIVED

ADDENDUM TO LEGAL PLAT FOR

SDC #7337

SECTION 12, T4S, R102W, 6th P.M.

1187' FSL 612' FWL

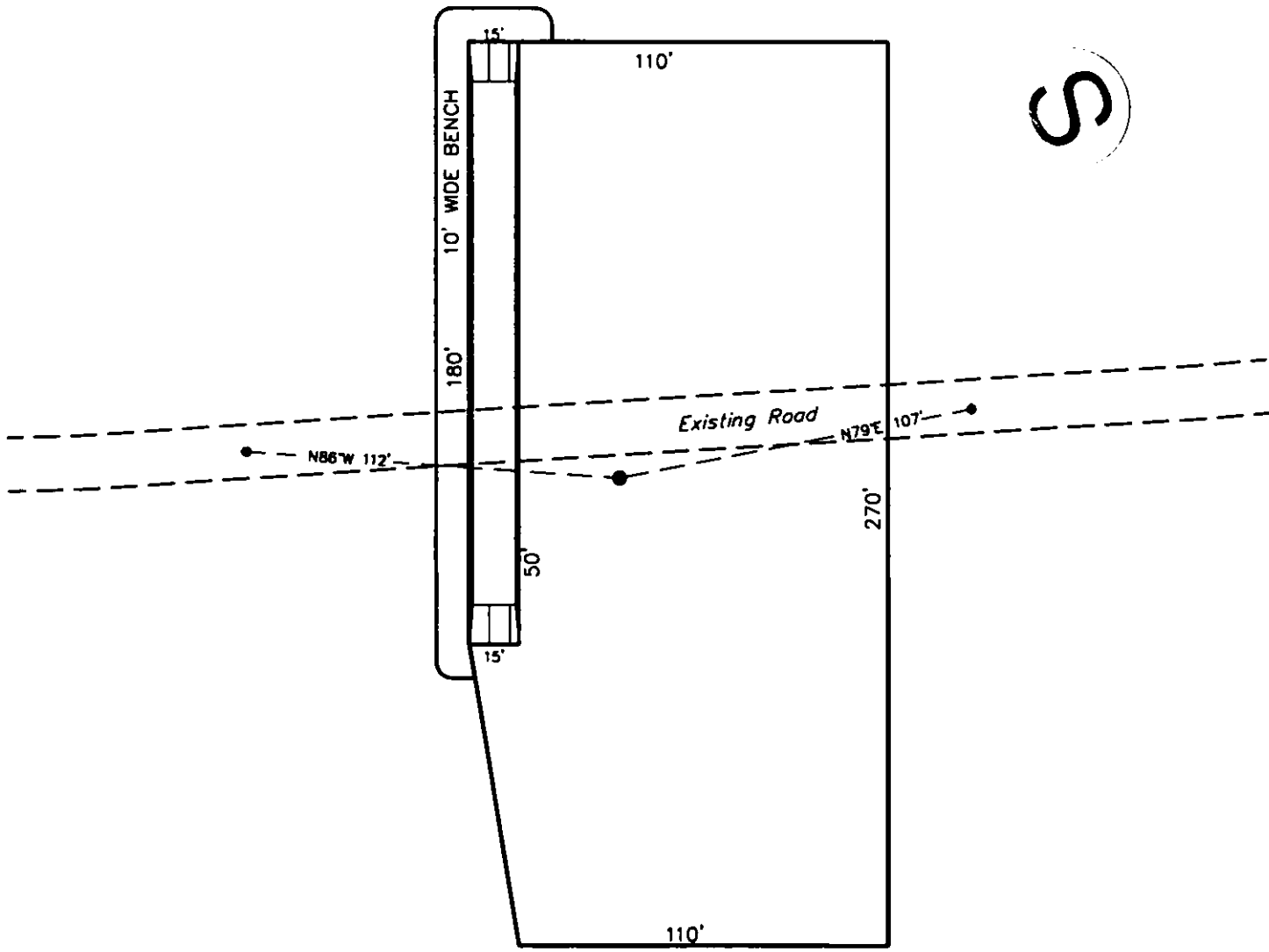
NOV 13 2001

002200



SCALE: 1" = 50'
DATE: 04-26-00
Drawn By: D.R.B.

S



SURFACE USE OF LOCATION IS GRAZING.
VEGETATION CONSISTS MAINLY OF SAGEBRUSH
& NATIVE GRASSES.

FIGURE #3

UINTAH ENGINEERING & LAND SURVEYING
85 South 200 East Vernal, Utah