

RECEIVED



00272496

DEC 27 1985

COLO. OIL & GAS CONS. COMM.

RECEIVED

DEC 23 1985

WYOMING OIL & GAS
CONSERVATION COMMISSION

HYDROSTATIC PRESSURE TEST - B.O.P.'s

CONOCO - MCCALLUM UNIT #125

TRUE RIG #19

NOVEMBER 20, 1985

by

YELLOW JACKET TOOLS AND SERVICE, INC.

CASPER, WYOMING

TESTED BY: BILL JORDAN

TICKET NO. 43235

E

A



YellowJacket TOOLS - SERVICE "SPECIALIST"

8705 West County Rd. - Odessa, Texas 79764

BILLING INQUIRIES - 915 - 366-9494

DELIVERY TICKET NO. 43235

INVOICE NO. 11-195-W(CO)

DATE 11-26-85

CHARGE TO: OPERATOR Conoco DIST. OFFICE _____
 CONTRACTOR Tru RIG# 19

COMPANY MAN Jerry Jackson TOOL PUSHER _____

WELL DRILLING IN WHAT AREA: North of Wolden, Colo. LEASE McCallum Unit # 125

SECTION 125 TOWNSHIP 3W RANGE 9N COUNTY Jackson STATE Colorado

EQUIPMENT TESTED AND OKAYED AT END OF TEST:

<u>Pipe</u> RAMS TO <u>3000</u> #	CASING TO <u>1000</u> #	KILL-LINE CHECK <u>NIRI</u> #	FLOOR SAFETY VAL <u>3000</u>
<u>Blind</u> RAMS TO <u>3000</u> #	ANNULAR <u>1500</u> #	CHOKE MANIFOLD <u>3000</u> #	
_____ RAMS TO _____ #	CHOKELINE <u>3000</u> #	UPPER KELLY VAL <u>NIRI</u> #	
_____ RAMS TO _____ #	KILL-LINE <u>3000</u> #	LOWER KELLY VAL <u>NIRI</u> #	*NTD-NO TEST DESIRED

RECEIVED

EQUIPMENT NOT TESTED:

1. LEAKS OR FAILURES AT CONCLUSION OR NOT TESTED None
2. DELAYS OR DIFFICULT OPERATION AT CONCLUSION OK
3. NOT IN RIG INVENTORY AT CONCLUSION Kill-line check, Upper & lower Kelly valve

DEC 27 1985

COLO. OIL & GAS CONS. COMM.

CLOSING SYSTEM:

INITIAL PRESSURE 2500 FINAL PRESSURE 1500 CLOSING TIME _____ MIN.

OF ACCUMULATOR BOTTLES, IF 0 WRITE NONE (4) FINAL PRESSURE (2500)

CONTROL VALVE HANDLES BACKWARDS AT CONCLUSION _____

EXTENSIONS WERE HOOKED UP AT CONCLUSION YES NO

ARRIVED ON LOCATION 8:00 AM _____ PM 11-20 DATE RIG DOING WHAT Nipple up

BEGAN TEST 9:00 AM _____ PM 11-20 DATE ENDED TEST _____ AM 1:40 PM 11-20 DATE

HOURS TESTING _____ HOURS WAITING ON RIG _____

TRANSPORTATION - ROUND TRIP 200 MILES @ \$ 1.00 PER MILE \$ 200.00

HOT SHOT NEEDED IN JOB: NO YES TRAVEL TIME HOURS @ _____ \$ _____

YELLOW JACKET SET UP CHARGE OR MINIMUM DRY RUN contract \$ 1,000.00

HOURLY RATE - TOTAL TIME ON LOCATION _____ HRS. @ _____ \$ _____

TEST SUBS# 2 CONN. 4 1/2 XH # @ \$ _____ \$ _____

WELL HEAD TEST/PLUG SIZE 10 MANUFACTURER McEvoy TYPE _____ PSI RATING @ 3000 \$ _____

CASING/ PACKER SIZE 8 5/8 GRADE K-55 WEIGHT 24 INT. YIELD 2950 X .8 = 2360 \$ _____

CHEMICAL TYPE Methanol GAL. 50 BBL @ 2.00 \$ 100.00

OTHER: _____ \$ _____

P.O.# AFE 12-20-3921 (439) TERMS ON REVERSE SIDE OF THIS INVOICE \$ _____

OWNER OR OWNER'S REPRESENTATIVE

Bill Jordan

DELIVERED BY: (TESTER)

CONOCO INC.

907 Rancho Rd.

Casper, WY 82601

SUB TOTAL

_____% TAX

TOTAL

\$ 1,300.00

PLEASE REMIT TO:

YELLOW JACKET TOOLS - SERVICES, INC.

8705 WEST COUNTY ROAD

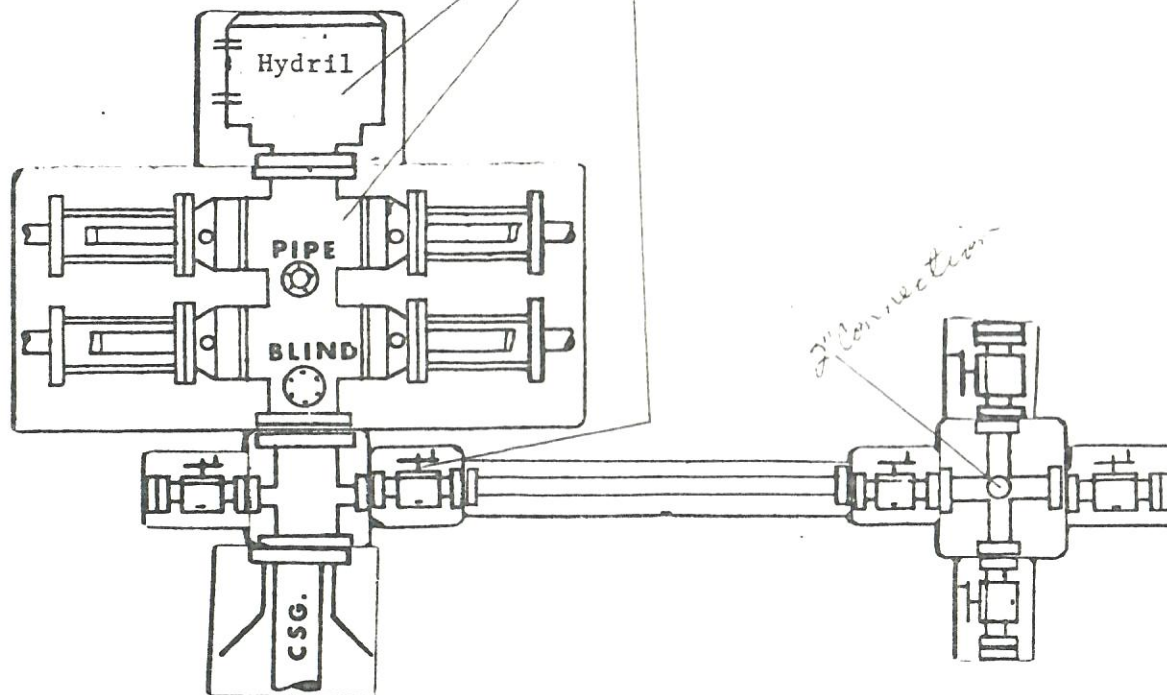
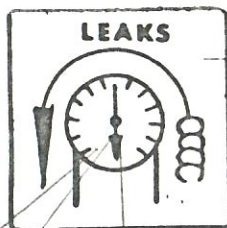
ODESSA, TEXAS 79764

TAX ID # 75-1362562

RECEIVED

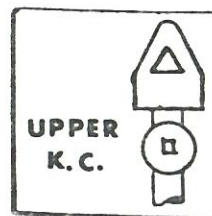
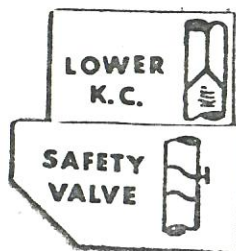
DEC 27 1985

COLO. OIL & GAS CONS. COMM.



10" McEvoy LoBoy 3000#

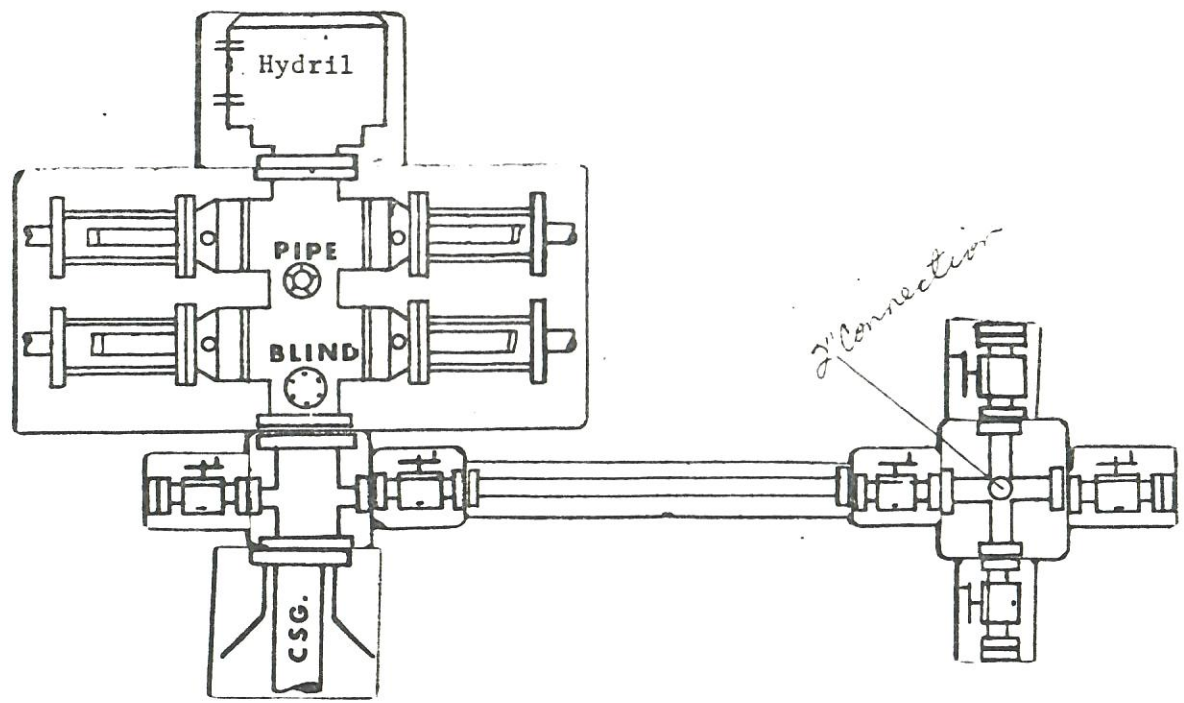
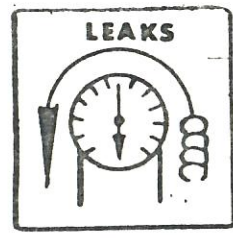
ITEMS LEAKING DURING 11-20-85



RECEIVED

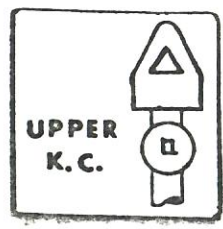
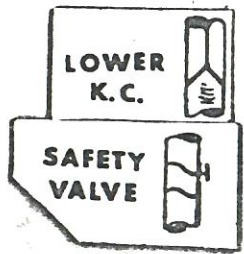
DEC 27 1985

COLO. OIL & GAS CONS. COMM.



10" McEvoy LoBoy 3000#

NO VISIBLE LEAKS AT CONCLUSION OF TESTING 11-20-85



RECEIVED

DEC 27 1985

COLO. OIL & GAS CONS. COMM.

