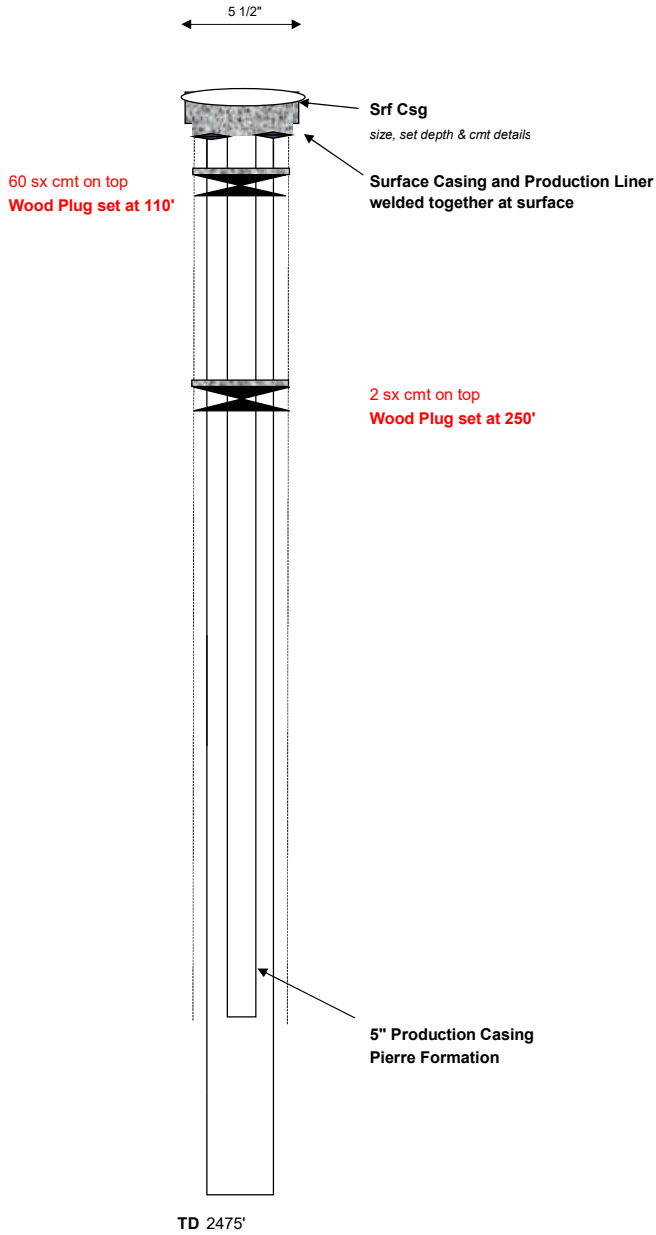


Cinnamon Creek Oil & Gas Inc.

Operator No: 17210

Proposed PA



General Well Info			
Well Name:	Spangler #1	Field:	Florence-Canon City
Diagram Date:	1/2/2025	County:	Fremont
Srf Location:	SESE 2 19S70W 6	State:	CO
Spud Date:	Unknown	API #:	05-043-40038
GL Elev:	5258'		
Formation Tops			
Zone	Depth	Zone	Depth