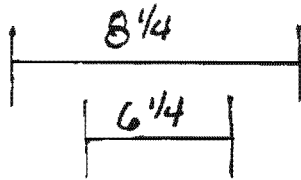
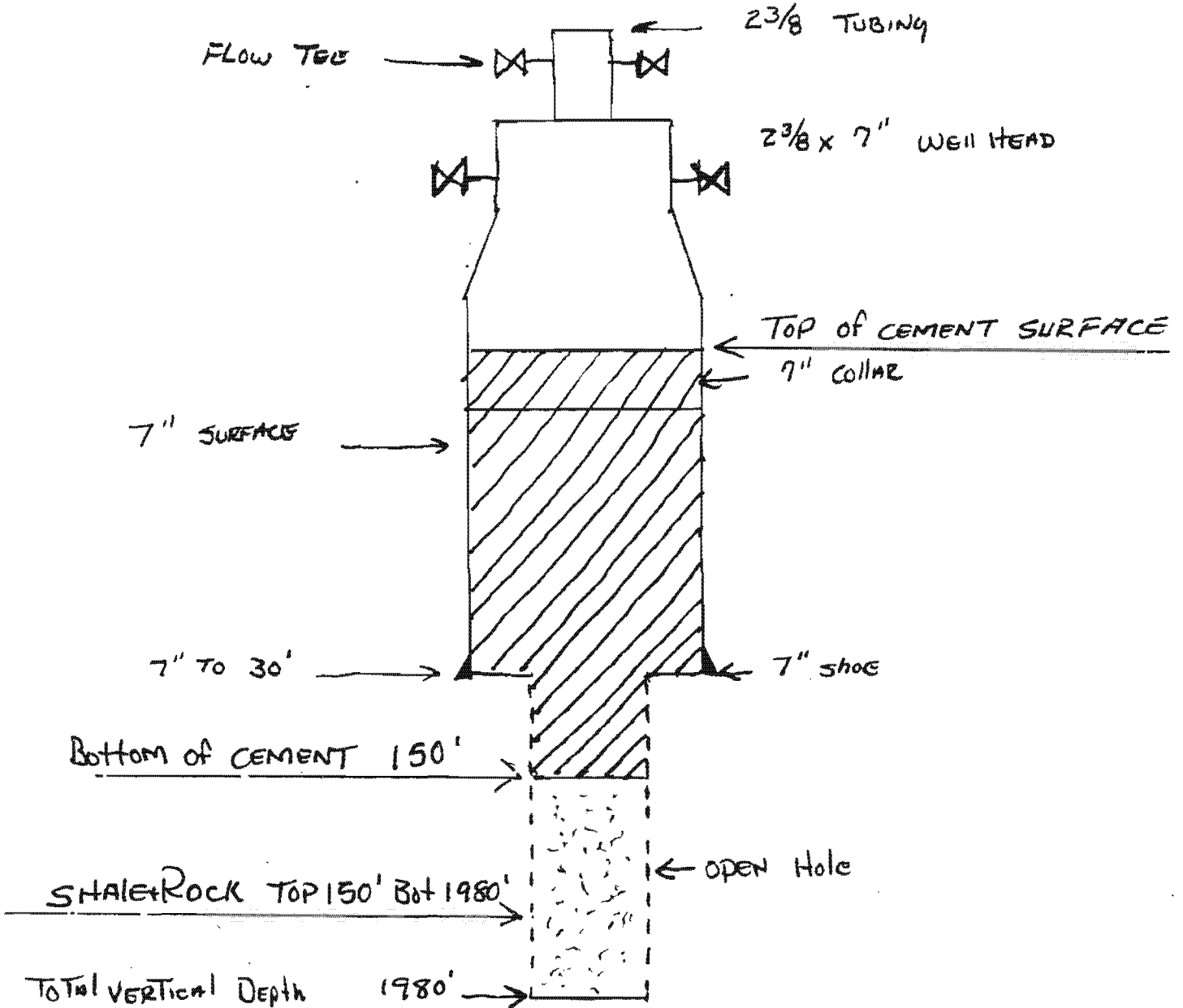


BORE DIAMETERS (IN.)
Proposed WBD



PLUG NICKEL OIL CO
PAN AM HAYES 12
API #05-103-05643
SEC.27,T12N,R102W,NWSE
RIO BLANCO COUNTY
7/12/2022



THE 7" SURFACE IS CEMENTED FROM TOP TO BOTTOM
PAN-AM HAYES # 12