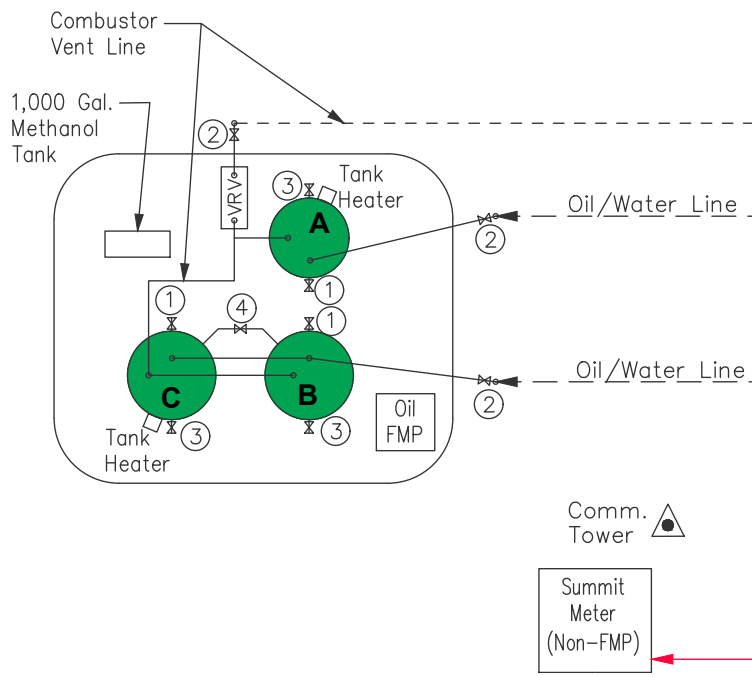
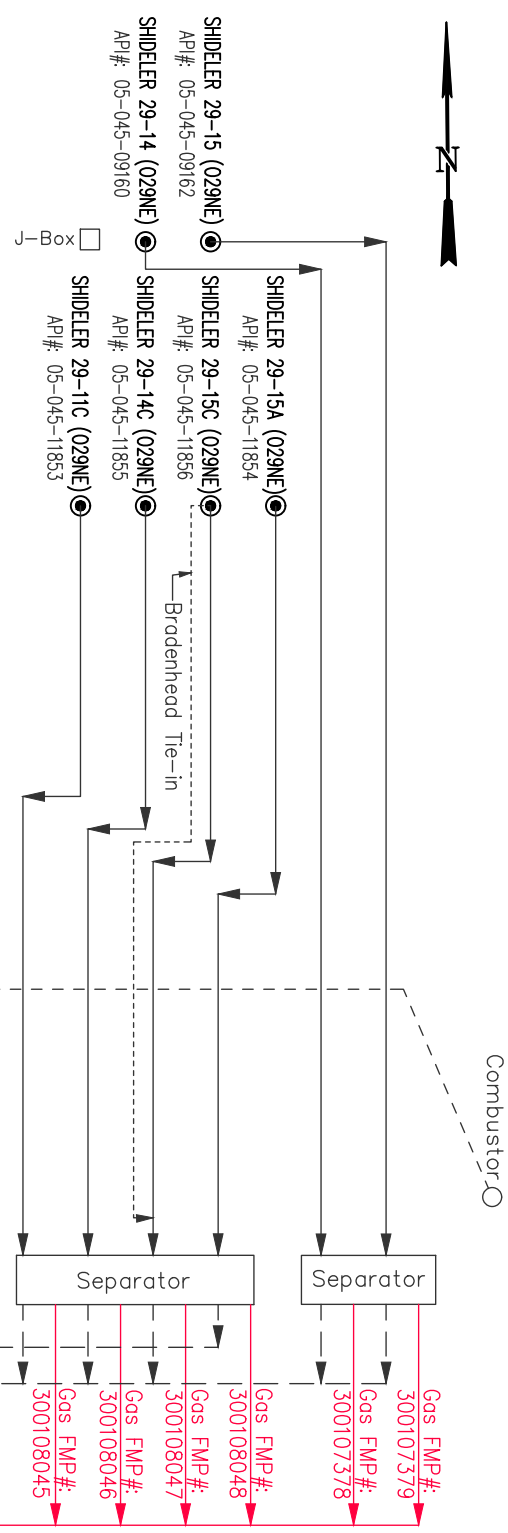


TANK "A"  
 LEASE: FEE  
 TANK NUMBER: 81946  
 WELLS: SHIDELER 29-15A  
 250 BBL, H=10', D=13'6"  
 SN: 8J33301-02  
 OIL/WATER

TANK "B"  
 LEASE: FEE  
 TANK NUMBER: 81029  
 WELLS: SHIDELER 29-11C,  
 SHIDELER 29-14,  
 SHIDELER 29-14C,  
 SHIDELER 29-15,  
 SHIDELER 29-15C  
 300 BBL, H=9', D=15'6"  
 SN: 4106  
 OIL/WATER

TANK "C"  
 LEASE: FEE  
 TANK NUMBER: 80260  
 WELLS: SHIDELER 29-11C,  
 SHIDELER 29-14,  
 SHIDELER 29-14C,  
 SHIDELER 29-15,  
 SHIDELER 29-15C  
 300 BBL, H=9', D=15'6"  
 SN: 74002086  
 OIL/WATER



NOTE:  
 THIS SKETCH WAS PREPARED  
 FROM INFORMATION PROVIDED  
 BY QB ENERGY.



**QB Energy**

Site Security  
**O29NE Well Pad**  
 SW1/4 SE1/4, Section 29, T6S, R92W, 6th P.M.  
 GARFIELD COUNTY, COLORADO  
 LAT: 39.492640 LONG: -107.689710

REVISIONS		
	DATE: 9/02/25	PROJECT NO.: 25-13-20
	SCALE: NO SCALE	DATE of SURVEY: N/A