

**TANK "A"**  
 LEASE: FEE  
 TANK NUMBER: 81896  
 WELLS: CRUZ 29-11A  
 300 BBL, H=15', D=12'  
 SN: 8S20301-07  
 OIL/WATER

**TANK "B"**  
 LEASE: FEE  
 TANK NUMBER: 81897  
 WELLS: CRUZ 29-12C  
 300 BBL, H=15', D=12'  
 SN: 8S20301-08  
 OIL/WATER

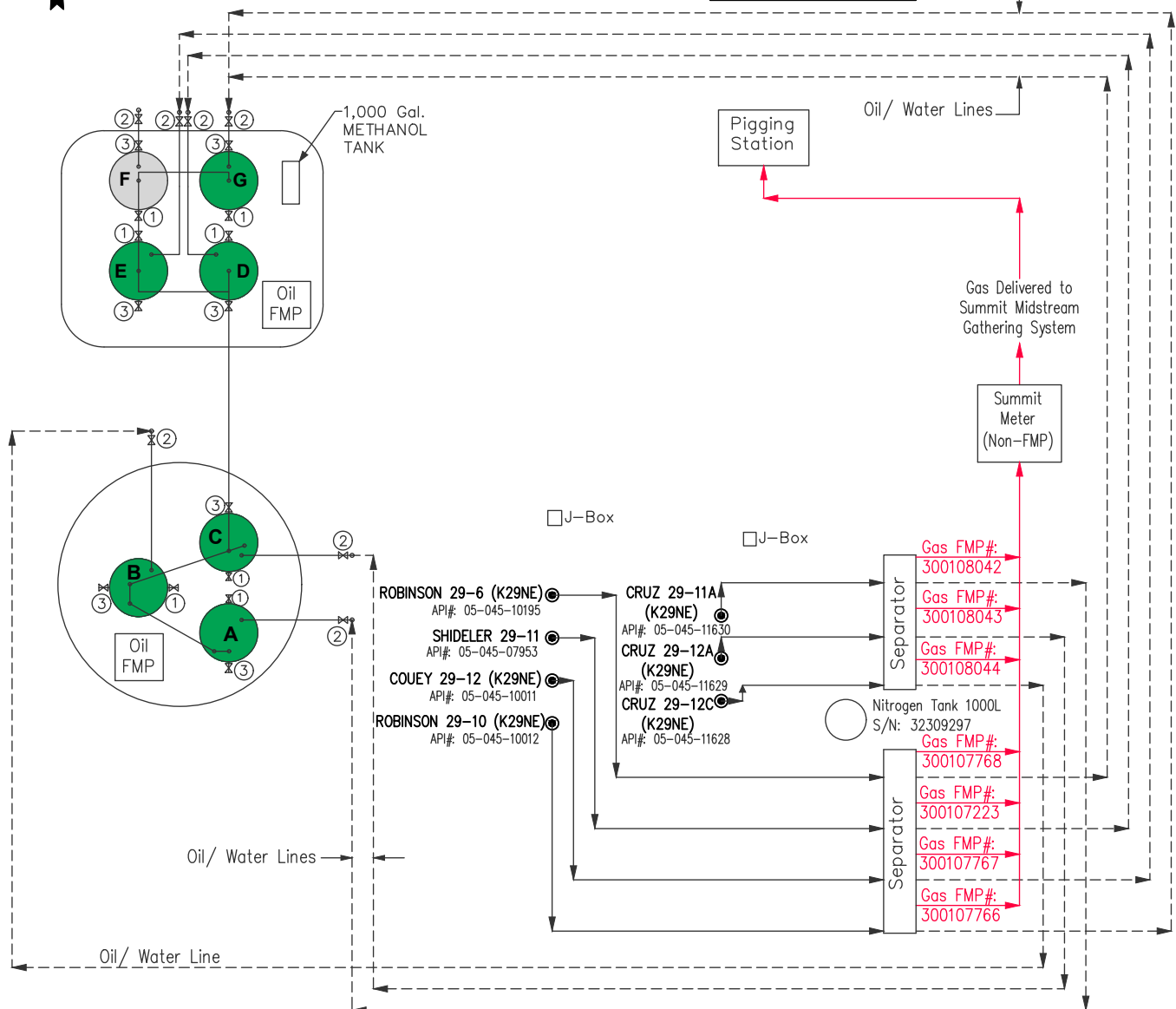
**TANK "C"**  
 LEASE: FEE  
 TANK NUMBER: 81895  
 WELLS: CRUZ 29-12A  
 300 BBL, H=15', D=12'  
 SN: 8D68201-02  
 OIL/WATER

**TANK "D"**  
 LEASE: FEE  
 TANK NUMBER: 81262  
 WELLS: SHIDELER 29-11  
 300 BBL, H=15', D=12'  
 SN: 7835-1  
 OIL/WATER

**TANK "E"**  
 LEASE: FEE  
 TANK NUMBER: 81264  
 WELLS: COUEY 29-12  
 300 BBL, H=15', D=12'  
 SN: 1674  
 OIL/WATER

**TANK "F"**  
 LEASE: FEE  
 TANK NUMBER: 81265  
 WELLS:  
 300 BBL, H=15', D=12'  
 SN: H1641203-03  
 DISCONNECTED

**TANK "G"**  
 LEASE: FEE  
 TANK NUMBER: 81263  
 WELLS: ROBINSON 29-6,  
 ROBINSON 29-10  
 300 BBL, H=15', D=12'  
 SN: 7842-1  
 OIL/WATER



| VALVE POSITION LEGEND |            |                  |                 |                 |
|-----------------------|------------|------------------|-----------------|-----------------|
| VALVE #               | VALVE TYPE | PRODUCTION PHASE | SALES PHASE     | DRAIN PHASE     |
| 1                     | SALES      | CLOSED & SEALED  | OPEN            | CLOSED & SEALED |
| 2                     | FILL       | OPEN             | CLOSED & SEALED | CLOSED & SEALED |
| 3                     | DRAIN      | CLOSED & SEALED  | CLOSED & SEALED | OPEN            |

NOTE:  
 THIS SKETCH WAS PREPARED FROM INFORMATION PROVIDED BY QB ENERGY.



|           |   |                       |
|-----------|---|-----------------------|
| REVISIONS | Site Security<br><b>K29NE Well Pad</b><br>NE 1/4 SW 1/4, Section 29, T6S, R92W, 6th P.M.<br>GARFIELD COUNTY, COLORADO<br>LAT: 39.497260 LONG: -107.694240 |                       |
|           | DATE: 9/02/25   | PROJECT NO.: 25-13-20 |
|           | SCALE: NO SCALE   | DATE of SURVEY: N/A   |



906 Main Street  
 Evanston, Wyoming 82930  
 Phone No. (307) 789-4545