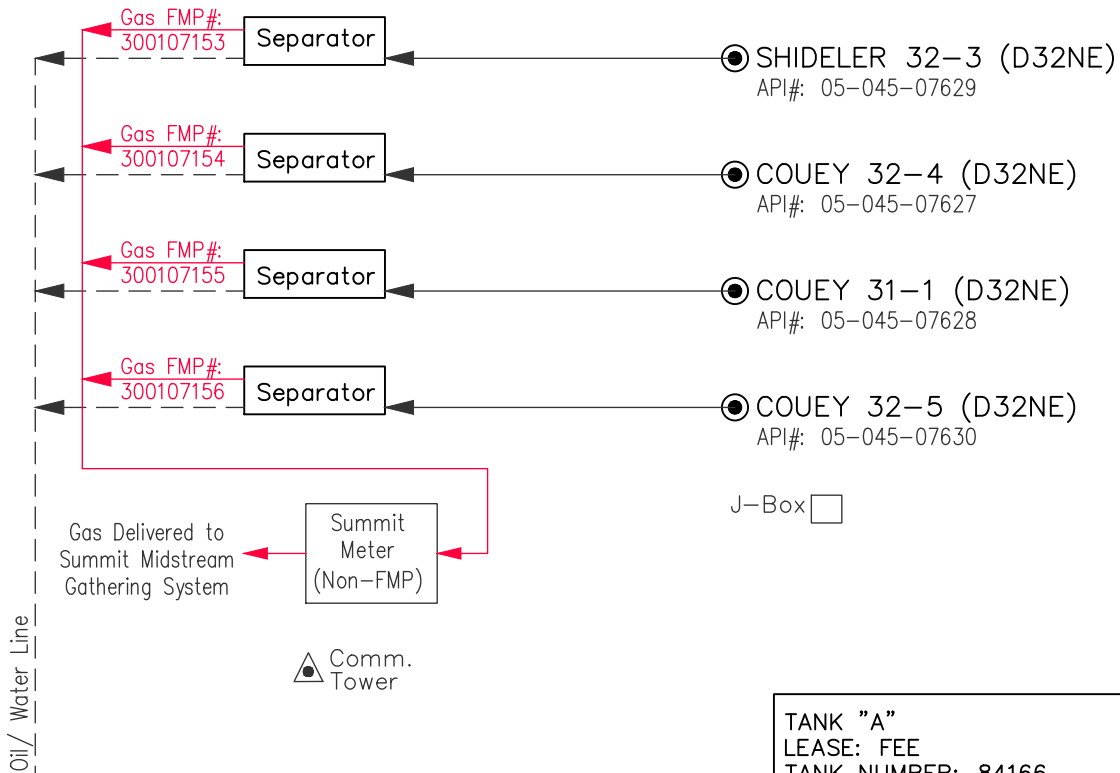
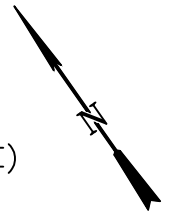
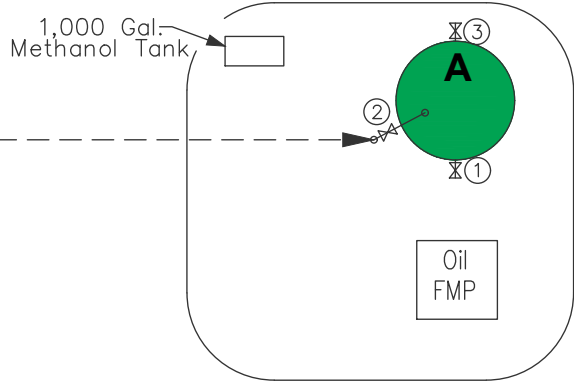


○ Nitrogen Tank 450L  
S/N: 32314345



J-Box

**TANK "A"**  
 LEASE: FEE  
 TANK NUMBER: 84166  
 WELLS: COUEY 31-1, COUEY 32-4,  
 COUEY 32-5, SHIDELER 32-3  
 300 BBL, H=15', D=12'  
 SN: 7550-10  
 OIL/WATER



VALVE POSITION LEGEND				
VALVE #	VALVE TYPE	PRODUCTION PHASE	SALES PHASE	DRAIN PHASE
1	SALES	CLOSED & SEALED	OPEN	CLOSED & SEALED
2	FILL	OPEN	CLOSED & SEALED	CLOSED & SEALED
3	DRAIN	CLOSED & SEALED	CLOSED & SEALED	OPEN

REVISIONS	COC: 56608A Site Security <b>D32NE Well Pad</b> NW1/4 NW1/4, Section 32, T6S, R92W, 6th P.M. GARFIELD COUNTY, COLORADO LAT: 39.488630 LONG: -107.697950
	DATE: 7/25/25 PROJECT NO.: 25-13-20
	SCALE: NO SCALE DATE of SURVEY: N/A



906 Main Street  
Evanston, Wyoming 82930  
Phone No. (307) 789-4545

NOTE:  
THIS SKETCH WAS PREPARED FROM INFORMATION PROVIDED  
BY QB ENERGY.