

Summit Piging Station

Combustor w/building

BOULTON 33-8A (G33NE)
API#: 05-045-10264

BOULTON 33-10A2 (G33NE)
API#: 05-045-13527

Gas Delivered to Summit Midstream Gathering System

Summit Meter (Non-FMP)

Summit Piging Station

Summit Piging Station

Sep.

Sep.

Separator

Gas FMP #: 300107906
Gas FMP #: 300107811
Gas FMP #: 300107165
Gas FMP #: 300107166
Gas FMP #: 300107168
Gas FMP #: 300107167

BOULTON 33-2 (G33)
API#: 05-045-07651

BOULTON 33-7 (G33)
API#: 05-045-07652

BOULTON 33-8 (G33)
API#: 05-045-07654

J-Box
BOULTON 33-9 (G33)
API#: 05-045-07653

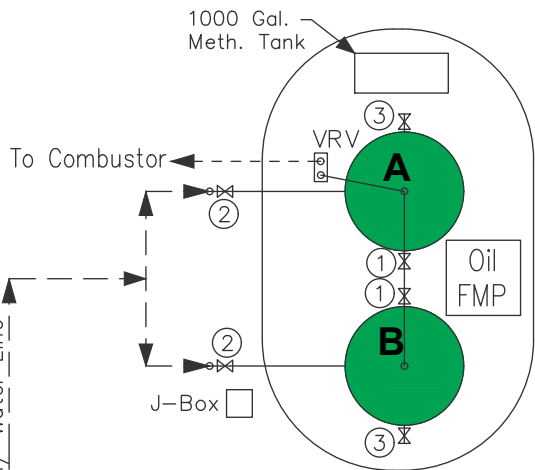
Oil/Water Line

Nitrogen Tank

Comm. Tower

TANK "A"
LEASE: FEE
TANK NUMBER: 81354
WELLS:
BOULTON 33-8A,
BOULTON 33-10A2,
BOULTON 33-2,
BOULTON 33-7,
BOULTON 33-8,
BOULTON 33-9
500 BBL H=20', D=13'6"
SN: 8S88501-01
OIL/WATER

TANK "B"
LEASE: FEE
TANK NUMBER: 81353
WELLS:
BOULTON 33-8A,
BOULTON 33-10A2,
BOULTON 33-2,
BOULTON 33-7,
BOULTON 33-8,
BOULTON 33-9
500 BBL H=20', D=13'6"
SN: 8S88501-02
OIL/WATER



VALVE POSITION LEGEND				
VALVE #	VALVE TYPE	PRODUCTION PHASE	SALES PHASE	DRAIN PHASE
1	SALES	CLOSED & SEALED	OPEN	CLOSED & SEALED
2	FILL	OPEN	CLOSED & SEALED	CLOSED & SEALED
3	DRAIN	CLOSED & SEALED	CLOSED & SEALED	OPEN



REVISIONS	COC: 56608A
7/25/25	Site Security
	G33NE Well Pad
	SW1/4 NE1/4, Section 33, T6S, R92W, 6th P.M.
	GARFIELD COUNTY, COLORADO
	LAT: 39.484397 LONG: -107.667285
DATE: 7/21/25	PROJECT NO.: 25-13-20
SCALE: NO SCALE	DATE of SURVEY: N/A

NOTE:
THIS SKETCH WAS PREPARED FROM
INFORMATION PROVIDED BY QB ENERGY.



906 Main Street
Evanston, Wyoming 82930
Phone No. (307) 789-4545