



BISON IV OPERATING, LLC

FRIENDLY SKIES OGD

747 PAD

LIGHTING PLAN



BISON IV OPERATING, LLC
FRIENDLY SKIES OGDG – 747 PAD - LIGHTING PLAN

Contents

Article I. Introduction2
 Location Information2
Article II. Plan Narrative2
 Jurisdictional Agency.....2
Article III. Mitigation Measures and Best Management Practices3
Article IV. Exhibits/References/Appendices.....3



Article I. Introduction

Location Information

This document provides site-specific information for the 747 Pad within the Friendly Skies OGD. The information in this document relates specifically to the time during the construction, drilling, completion, interim reclamation, and production of the eighteen (18) proposed horizontal wells on this location.

The 747 Pad will utilize an access point approximately 0.2 miles south of the intersection of E 64th Ave and Jackson Gap Street, on the west side of the road. The 747 Pad will be in the W2NW of Section 8, Township 3 South, Range 65 West, and is located on parcel 0181908200014 owned by ACP DIA 1287 Investors, LLC. The 747 Pad is in a zoned Airport District with the City of Aurora and is currently used for agriculture. A permit with the City of Aurora will be obtained for the 747 Pad.

Construction of the proposed 747 Location, with associated cut and fill slopes, would initially disturb approximately 18.24 acres. Following interim reclamation, working pad disturbance would be reduced to approximately 7.04 acres.

The proposed production facility equipment for the 747 Pad will be located within the Working Pad Surface adjacent to the wells and will consist of separators, oil polishers, produced water tanks, oil surge vessels, produced water surge vessels, blowers, scrubbers, vapor recovery units (VRU), oil and produced water LACTs, instrument air skids, compressors, meter skids, knockouts, emission control devices (ECDs), an electrical skid, product coolers, and pumps.

Pending approval from ECOM and the City of Aurora, the project schedule is as follows:

Phase	Duration (days)	Estimated Start Date
Construction	+/- 30 days	2 nd Quarter 2026
Drilling	+/- 108 days	2 nd Quarter 2026
Completion	+/- 75 days	3 rd Quarter 2026
Flowback	+/- 10 days	1 st Quarter 2027
Production	Ongoing +/- 30 years	1 st Quarter 2027
Interim Reclamation	+/- 30 days	2 nd Quarter 2027*

**or the first favorable weather/growing season.*

Article II. Plan Narrative

Jurisdictional Agency

The Relevant Local Government has lighting plan requirements under the applicable city code.

The Land Use designation of the proposed Location is agricultural within the Airport District Planning Area. A Lighting Photometric Plan has been created to confirm the ability to comply with ECOM and City of Aurora standards during construction, and a Lighting Plan for the Production Phase is required if permanent lighting is planned.



The ECMC's Maximum Permissible Light Levels (Rule 424) are as follows:

Land Use	Lumens per SF of WPS
Residential/Rural/State Parks/State Wildlife Areas/High Priority Habitat/Wilderness Areas/National Park/National Monument	1.25
Commercial/Agricultural	2.5
Light Industrial	5.0
Industrial	7.5

The standards within ECMC Rule 424 are more protective than local standards. Bison will comply with the stricter agency's (ECMC) standards.

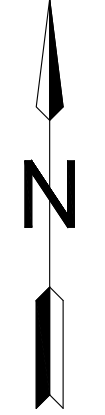
Article III. Mitigation Measures and Best Management Practices

- Bison will direct site lighting downward and inward, such that no light shines above a horizontal plane passing through the center point light source.
- Bison will use appropriate technology within fixtures that obscures, blocks, or diffuses the light to reduce light intensity outside the boundaries of the 747 Pad Location.
- Bison will minimize lighting when not needed to minimize light pollution and obtrusive lighting.
- Bison will use full cut-off lighting to minimize light pollution and obtrusive lighting.
- Bison will use lighting colors that reduce light intensity to minimize light pollution and obtrusive lighting.
- Bison will use low-glare or no-glare lighting to minimize light pollution and obtrusive lighting.
- When Bison has active operations involving personnel ongoing the Location, Bison will provide sufficient on-site pre-production lighting to ensure the safety of all persons on or near the site.
- Bison will take all necessary and reasonable precautions to ensure that lighting from the 747 Pad Oil and Gas Facilities does not unnecessarily impact the health, safety, and welfare of motorists on nearby roads.
- During production, operations will primarily occur during daylight hours so minimal permanent lighting is anticipated. Permanent production lighting will utilize a photocell sensor to automatically shut off lighting.

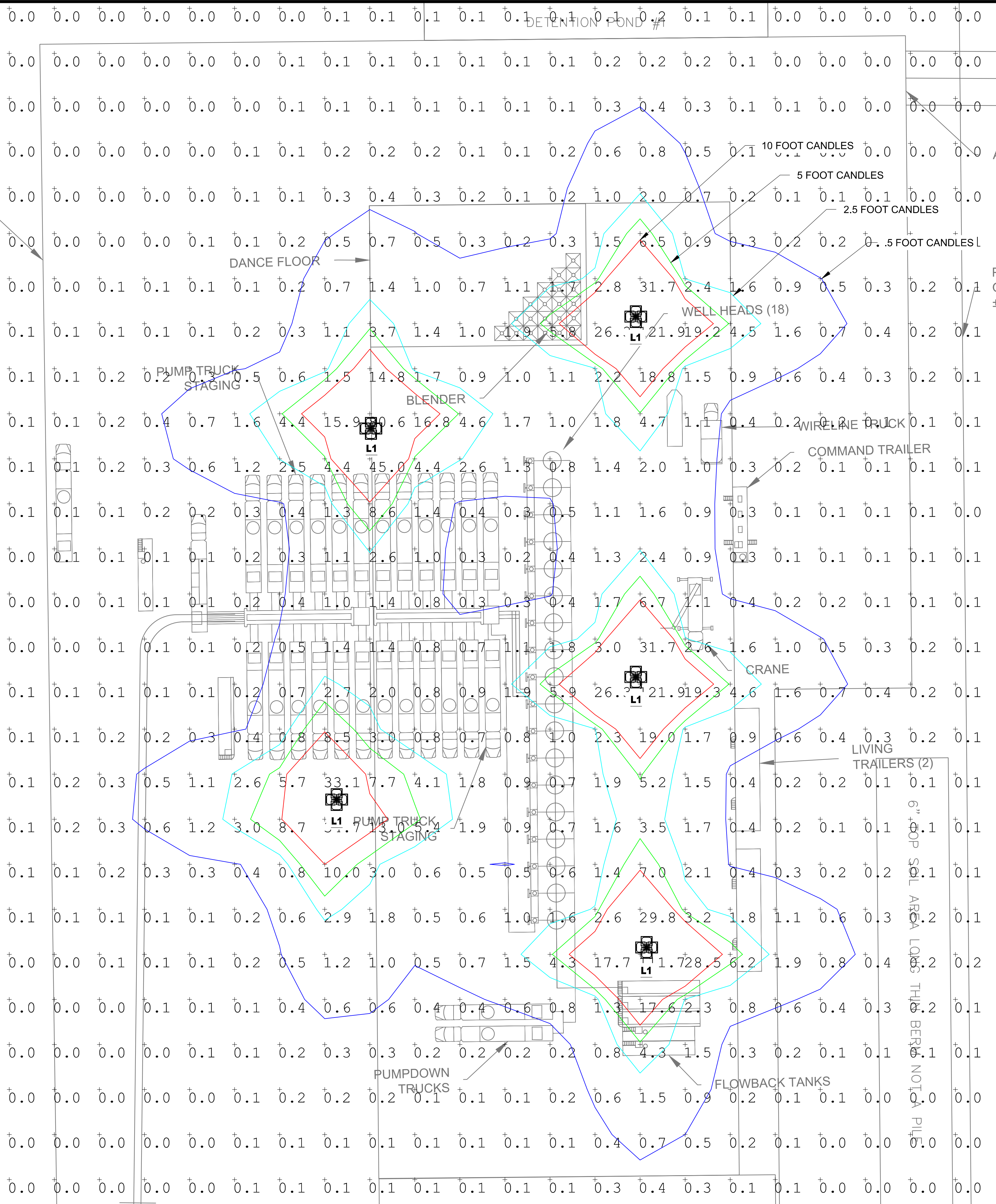
Article IV. Exhibits/References/Appendices

Please see attached signed Lighting Layout sheets and manufacturer's cut sheets.

THIS DRAWING AND THE DESIGN IT COVERS ARE CONFIDENTIAL AND REMAIN THE PROPERTY OF BISON IV OPERATING AND SHALL NOT BE DISCLOSED TO OTHERS OR REPRODUCED IN ANY MANNER OR USED FOR ANY PURPOSE WHATSOEVER EXCEPT BY WRITTEN PERMISSION BY THE OWNER.

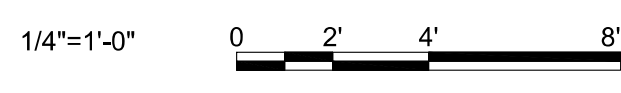


PROPOSED DRILLING PAD ±11.65 ACRES



ACCESS ROAD

PROPOSED LIMITS OF DISTURBANCE ±18.24 ACRES



NOTES:
1. THIS DRAWING IS INTENDED TO SHOW FOOTCANDLE POINT CALCULATIONS FOR THIS PHASE OF SITE DEVELOPMENT. REFER TO DRAWING FS-ELE-7502 FOR FURTHER LIGHTING DETAILS.



REVISIONS					
REV	DESCRIPTION	DATE	DWN	CHK	APP
	ISSUED FOR CONSTRUCTION	10/25/24	ACR	ANC	RDH



BISON IV OPERATING
747 FRIENDLY SKIES PAD
ELECTRICAL
LIGHTING CALCULATIONS - WELL COMPLETION

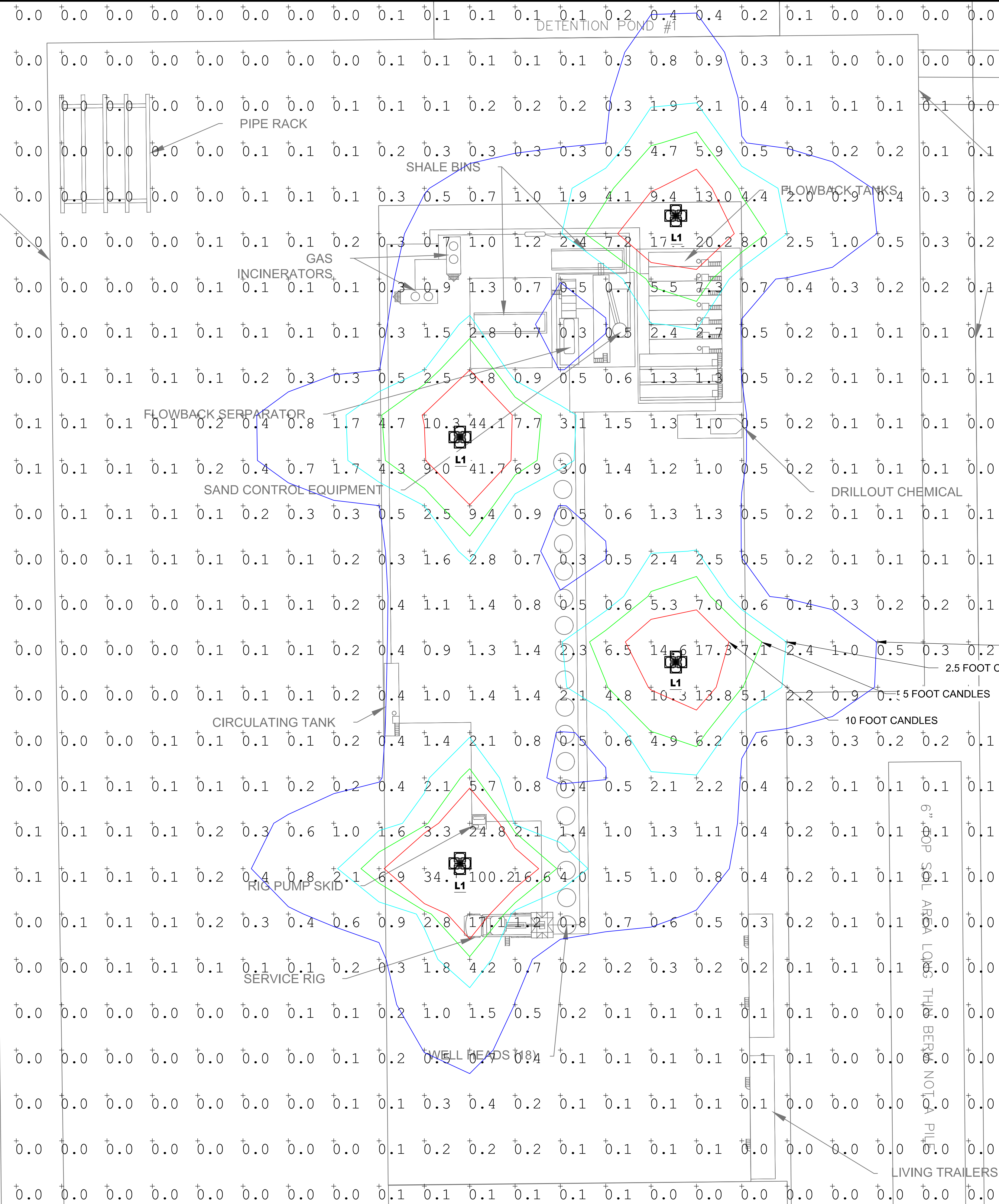
DRAWN BY: ACR	10/14/24	REVIEWED BY: ANC	SCALE: 1/32" = 1'-0"
CHECKED BY: ANC		APPROVED BY: RDH	DRAWING NUMBER FS-ELE-7503

FILE LOCATION: G:\DIS_CLIENT_PROJECTS\BISON OIL & GAS\747 FRIENDLY SKIES\ELECTRICAL\DRAWINGS\FS-ELE-7503.DWG LAST SAVED: 10/21/24 BY: Reed, Aaron PLOT TIME/DATE: October 24, 2024

THIS DRAWING AND THE DESIGN IT COVERS ARE CONFIDENTIAL AND REMAIN THE PROPERTY OF BISON IV OPERATING AND SHALL NOT BE DISCLOSED TO OTHERS OR REPRODUCED IN ANY MANNER OR USED FOR ANY PURPOSE WHATSOEVER EXCEPT BY WRITTEN PERMISSION BY THE OWNER.



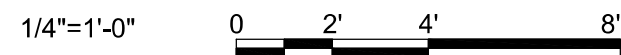
PROPOSED DRILLING PAD
±11.65 ACRES



PROPOSED LIMITS OF DISTURBANCE
±18.24 ACRES

0.5 FOOT CANDLES
2.5 FOOT CANDLES
10 FOOT CANDLES

6\"/>



NOTES:
1. THIS DRAWING IS INTENDED TO SHOW FOOTCANDLE POINT CALCULATIONS FOR THIS PHASE OF SITE DEVELOPMENT. REFER TO DRAWING FS-ELE-7504 FOR FURTHER LIGHTING DETAILS.



REVISIONS					
REV	DESCRIPTION	DATE	DWN	CHK	APP
	ISSUED FOR CONSTRUCTION	10/25/24	ACR	ANC	RDH



BISON IV OPERATING
747 FRIENDLY SKIES PAD
ELECTRICAL
LIGHTING CALCULATIONS - FLOW BACK

DRAWN BY: ACR	10/14/24	REVIEWED BY: ANC	SCALE: 1/32" = 1'-0"
CHECKED BY: ANC		APPROVED BY: RDH	DRAWING NUMBER FS-ELE-7505

FILE LOCATION: G:\DIS_CLIENT_PROJECTS\BISON OIL & GAS\477 FRIENDLY SKIES\ELECTRICAL\DRAWINGS\FS-ELE-7505.DWG LAST SAVED: 10/24/24 BY: Reed, Aaron PLOT TIME/DATE: October 24, 2024

ENGINE SYSTEM

- Mitsubishi® L3E
- Diesel fueled
- EPA Final Tier 4
- 3 cylinder
- 0.95 L displacement
- Liquid cooled
- Power @ 1,800 rpm – HP (kW):
 - Standby: 12.2 (9.1)
 - Prime: 10.5 (7.8)

Fuel System

- Polyethylene tank – 39.9 gal (151.04 L) capacity
- Run time – hr:
 - Lights only: 117*
 - 100% load: 60*
- Fuel consumption – gal/hr (L/hr):
 - Lights only: 0.34 (1.29)*
 - 100% load: 0.67 (2.54)*
- Exterior fill port diameter: 3.5 in (89 mm)

Cooling System

- Air filter: Dry type cartridge

Lubrication System

- Oil filter: Full flow, spin-on type
- 750-hr service interval**

**Data based on engine manufacturer and field test data after 100-hr engine break-in period. Actual results may vary, according to factors such as age and maintenance of equipment, environmental conditions, and fuel density. For fuel and maintenance recommendations, see owner's manual.*

***For maximum service interval, replace oil filter after 50-hr break-in period. For oil filter model number, see owner's manual.*

GENERATOR

- 60 Hz engine/generator
- Marathon Electric® brushless
- Up to 6 kW output
- 120/240 VAC, 20/30 A
- ± 6% capacitor voltage regulation

CONTROLS

- External, illuminated control panel with sealed switches
- 4-position key activated switch (off, run, glow, start)
- Digital hour meter
- Automatic shutdown for low oil pressure and high coolant temperature
- One switch controls all light fixtures
- Wet-stacking mitigation



FLOODLIGHTS

- Four 296 W LED fixtures
- Aluminum and polymer housing
- Efficiency: 145 LPW
- Lm/fixture: 43,050
- Total lm: 172,200
- Coverage: 19,526 ft² (1,814 m²) @ 0.5 ft-c
- IP68 LED modules; IP65 rated drivers
- Fixture-mounted drivers

ELECTRICAL SYSTEM

- 30 A start trip breaker (ensures no-load condition exists at start-up)
- Floodlight circuits with sealed 10 A breakers
- Convenience receptacles with individual breakers:
 - One 120 VAC, 20 A, GFCI, duplex outlet (NEMA 5-20R type)
 - One 240 VAC, 30 A, twistlock outlet (NEMA L6-30R type)
- Wiring is sized and fused to required amperage draw
- 440 CCA wet cell battery

MAST

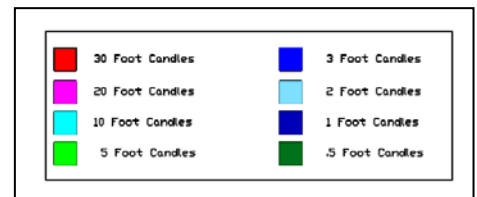
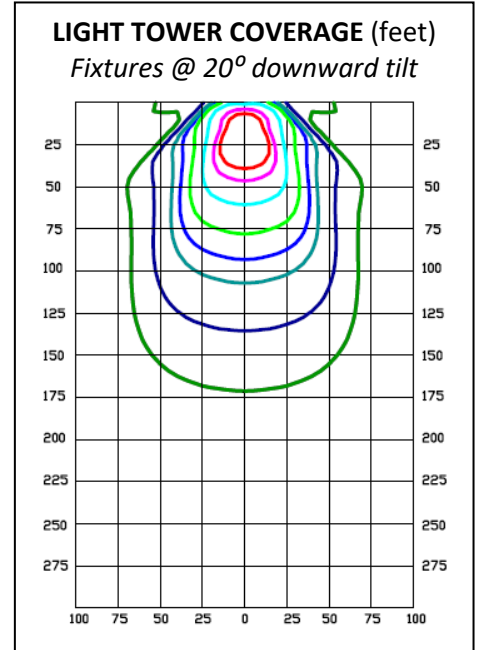
- Vertical operation and storage
- Maximum height: 23 ft (7 m)
- Five sections with polymer guides
- Ground-adjustable light fixtures
- Winch: Dual handle, manual crank
- Distinctive angled fixture mount for common light distribution
- Rotation: 359° range of motion, adjustable from ground during full extension
- Industrial black powder-coat finish
- Self-retracting, coiled mast cord

ENCLOSURE

- Hood:
 - Injection-molded with UV protected colorant
 - Flip-up design for ease of service
- Sound rating: 63 dB(A) at 23 ft (7 m) @ prime power
- Lifting point and fork pockets
- Multi-lingual operating and safety decals
- Illuminated license plate holder
- Document holder with owner's manual – includes AC and DC wiring diagrams

TRAILER

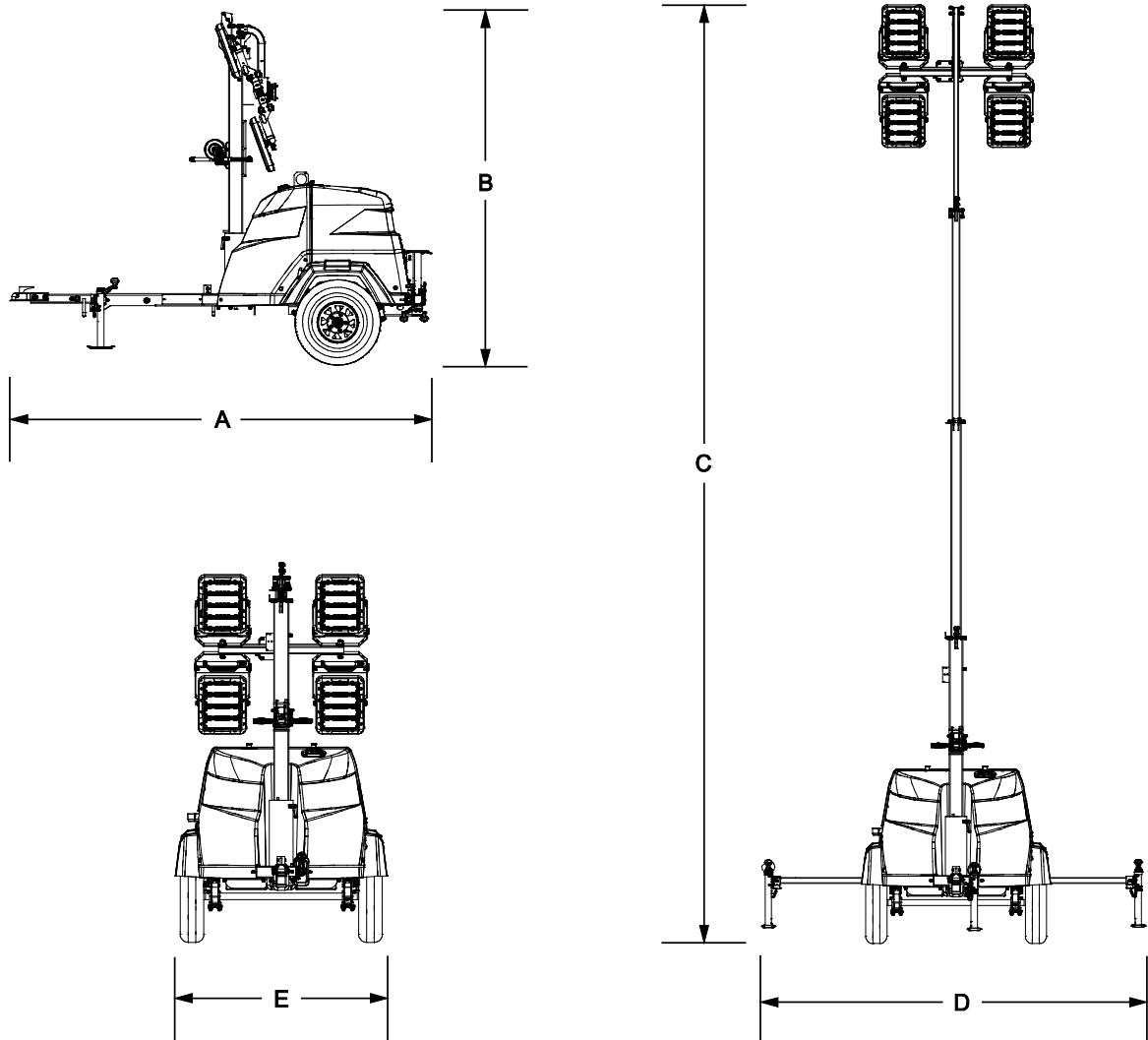
- Tubular steel frame
- 2 in (50.8 mm) ball hitch
- Three 1,200 lb (544 kg) tube-and-sleeve leveling jacks – lockable into stowed positions
- 7,800 lb (3,538 kg) safety chains with spring loaded safety hooks
- DOT approved LED lights: Tail, side, brake, and directionals
- 2,200 lb (998 kg) leaf spring axle
- Molded polyethylene fenders
- Tires: ST175/80D13, 6 ply
- Track width: 47 in (119.4 cm)



OPTIONS

- Electric winch
- Winch cover
- Positive air shutdown
- Tandem tow
- Battery charger
- Battery disconnect
- PowerZone® controller
- Telemetry
- Lower radiator hose heater
- Fuel filter heater

DIMENSIONS



A	B	C	D	E
118 in (3 m)	101 in (2.6 m)	23 ft (7 m)	10 ft (3.05 m)	57 in (1.45 m)

WEIGHT

- Dry: 1,310 lb (594 kg)
- Operating: 1,600 lb (726 kg)

AMBIENT CLIMATE RATINGS

- Maximum wind speed: 65 mph (105 kph)
- Maximum air temperature – °F (°C):
 - Lights only: 120 (49)
 - 100% load: 104 (40)

WARRANTY

- Tower: 1 year, unlimited hours/2 years, 2,000 hours
- LED modules and drivers: 5 year limited warranty

CERTIFICATIONS

CSA approved, listed

FOR MORE INFORMATION

Owner's manual is available at www.generacmobileproducts.com/resources-tools/manuals.



THE INFORMATION CONTAINED HEREIN SHALL BE CONSIDERED THE SOLE PROPERTY OF JCA COMPANIES, JCA RENTALS, LLC/C&M OILFIELD RENTALS, LLC/C-MOR ENERGY SERVICES, LLC AND RECIPIENT THEREOF AGREES NOT TO DISCLOSE SAID INFORMATION TO PARTIES OUTSIDE THE RECIPIENTS ORGANIZATION AND TO USE, MODIFY, CHANGE OR DUPLICATE SAID INFORMATION FOR ANY PURPOSES EXCEPT AS SPECIFIED BY JCA RENTALS, LLC/C&M OILFIELD RENTALS, LLC/C-MOR ENERGY SERVICES, LLC WITH THE WRITTEN PERMISSION OF JCA COMPANIES, JCA RENTALS, LLC/C&M OILFIELD RENTALS, LLC/C-MOR ENERGY SERVICES, LLC.

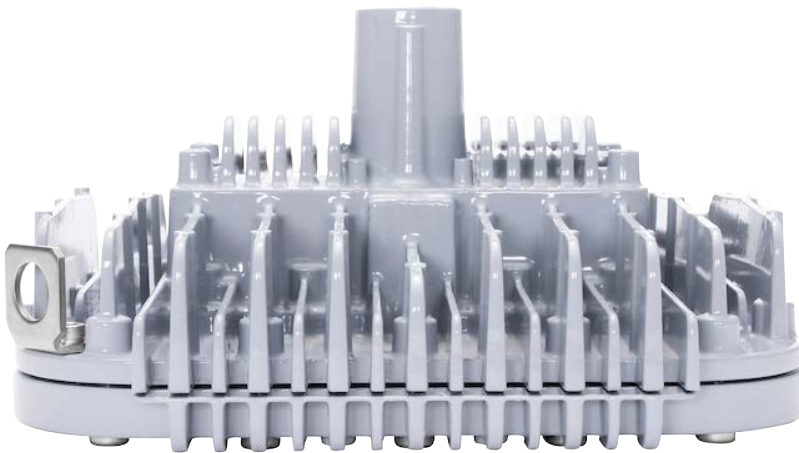
TECHNICAL INFORMATION SHEET FOR CROWN JEWEL LIGHT SYSTEM

INTENDED USE

The C-MOR Crown Jewel system is designed to be installed on the crown handrails of most drilling rigs

SPECIFICATIONS:

- Designed to mount to undamaged guardrails which meet OSHA 1910.29(b)(1)
- Engineered mount system (RA Design 1085035) meets API 4F 4th Edition land-based wind loads (180' @ 90 mph)
- 600 W LED instant start lights
- Dropped object report RADTM-18-1001-01
- Light and junction box retention nets: Dropsafe 7500185
- Rig light safety cables: Kennedy 250 LBS WLL
- Mount system weight: 21 lbs/ light
- Light and bracket assembly weight: 32 lbs/ light
- Junction box weight: 33 lbs/ rig
- Appleton Locking connectors + cable 3.2 lbs/ light
- Complete individual light/mount/cable weight 57 lbs.
- Typical 8 light Crown Jewel full installation: 489 lbs

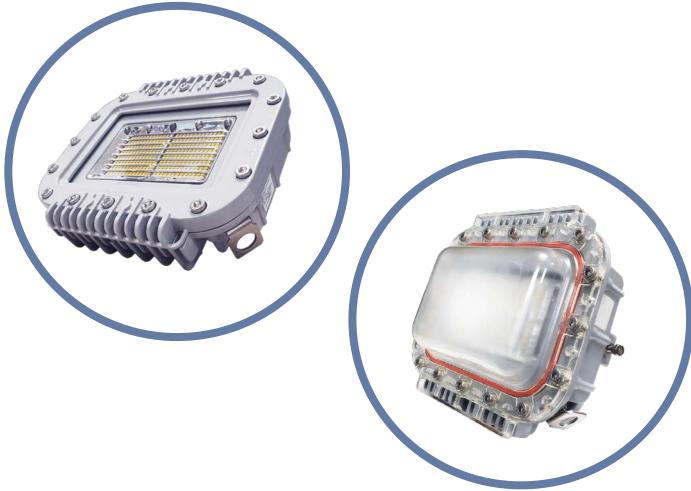


Dialight® LED Area Light

Technical Specification Sheet - Americas

Vigilant® LED Area Light

100-277 VAC, 120-250 VDC

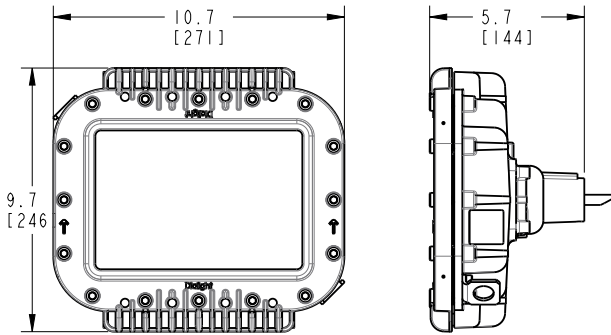


Certifications & Ratings*

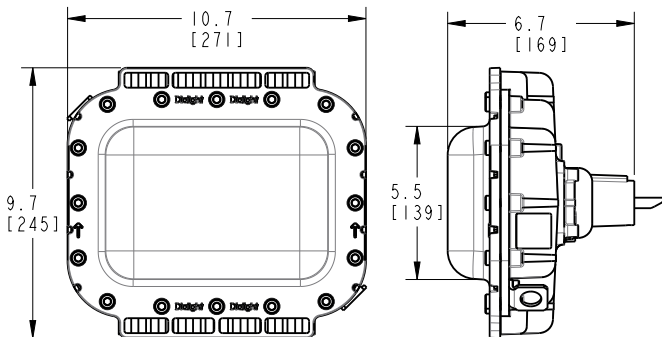
- 10 year warranty
- L70 > 150,000 hours @ 65°C
- UL 1598/A
- CSA C22.2 No. 250
- NOM
- IP66 / 67 / 69
- NEMA 4X
- Factory sealed

*ETL listed

Tempered Glass Lens



Polycarbonate Lens



Dimensions in inches [mm]
Additional dimensional drawings on pages 30-35

WARNING - INSTALLATION & SECONDARY RETENTION. Use of any Dialight products without proper installation (including secondary retention / netting) and periodic inspections could cause severe injury or death. Dialight recommends that all installations should use secondary retention / netting (appropriate to the installation environment) where applicable. It is the exclusive responsibility of the contractor, installer and/or end-user to: (a) determine the suitability of the product for its intended application; and, (b) ensure that the product is safely installed (with secondary retention / netting where appropriate) and in compliance with all applicable laws and regulations. To the extent permissible under applicable laws, Dialight disclaims all liability for personal injury and/or other damage resulting from any dislodgment or other dislocation of its products.

Mechanical Information:

Fixture weight: 10 lb (4.5 kg) - Polycarbonate lens
12 lb (5.5 kg) - Tempered glass lens
with stainless steel bracket: 13 lb (5.9 kg) - Polycarbonate lens
15 lb (6.8 kg) - Tempered glass lens

Shipping weight: Add 2 lb (0.91 kg) to weights above

Impact rating: IK10 - Polycarbonate lens
IK07 - Tempered glass lens

Cabling: 10' ST00W 1.02 mm 18 AWG

Electrical Specifications:

Operating voltage: 100-277 VAC 50/60Hz, 120-250 VDC

Operating temperature: -40°F to +149°F (-40°C to +65°C)

EMC: FCC Title 47, Subpart B, Section 15, Class A device
RF Immunity 20V/m 80MHz-1GHz.

Transient protection: 6 kV, 2 Ohm line-line and line-ground

Harmonics: IEC 61000-3-2, Class C

THD: < 20%

Power factor: > 0.9

Construction:

Housing: Copper-free aluminum

Finish: Superior dual coat finish
- Sealed polyester topcoat
- Epoxy primer

Lens: Hard-coated polycarbonate
Tempered glass

Photometric Information:

CRI: 80

CCT: 5000K (cool white)
4000K (neutral white)

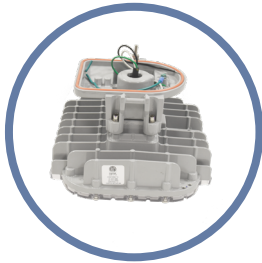
Optics: 360°
180° forward throw for 45° mounting
Wide for 0° mounting

All values typical unless otherwise stated (tolerance +/- 10%)

Vigilant® LED Area Light

100-277 VAC, 120-250 VDC with Universal Mounting Adapter

Universal Mounting Adapter



For use with HZXW01, HZXW45, HZXS45 or HZXFM brackets sold separately



HZXW01



HZXS45



HZXS90 / HZXT90



HZXCV34

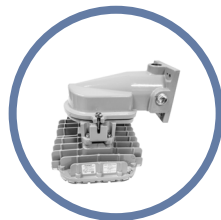


HZXW45

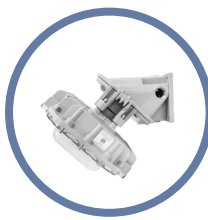


HZXFM

Wall & Ceiling Mount



45° Wall Mount



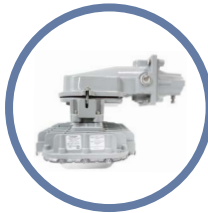
45° Stanchion Mount



Ceiling Mount



Conveyor Mount



90° Stanchion Mount



Certifications & Ratings*

- 10 year warranty
- L70 > 150,000h @ 65°C
- UL 1598/A
- CSA C22.2 No. 250
- NOM
- IP66 / 67
- NEMA 4X
- Factory sealed

*ETL listed

Additional dimensional drawings on pages 30-35

WARNING - INSTALLATION & SECONDARY RETENTION. Use of any Dialight products without proper installation (including secondary retention / netting) and periodic inspections could cause severe injury or death. Dialight recommends that all installations should use secondary retention / netting (appropriate to the installation environment) where applicable. It is the exclusive responsibility of the contractor, installer and/or end-user to: (a) determine the suitability of the product for its intended application; and, (b) ensure that the product is safely installed (with secondary retention / netting where appropriate) and in compliance with all applicable laws and regulations. To the extent permissible under applicable laws, Dialight disclaims all liability for personal injury and/or other damage resulting from any dislodgment or other dislocation of its products.

Mechanical Information:

Fixture weight:

UMA models:	12 lb (5.5 kg) - Polycarbonate lens
	15 lb (6.8 kg) - Tempered glass lens
Wall mount models:	15 lb (6.8 kg) - Polycarbonate lens
	18 lb (8.2 kg) - Tempered glass lens
45° wall mount models:	14 lb (6.4 kg) - Polycarbonate lens
	17 lb (7.7 kg) - Tempered glass lens
45° stanchion mount:	15 lb (6.8 kg) - Polycarbonate lens
	18 lb (8.2 kg) - Tempered glass lens
Ceiling mount:	14 lb (6.4 kg) - Polycarbonate lens
	7 lb (7.7 kg) - Tempered glass lens
90° stanchion mount:	16 lb (7.2 kg) - Polycarbonate lens
	19 lb (8.6 kg) - Tempered glass lens

Shipping weight:

Add 2 lb (0.91 kg) to weights above

Impact rating:

IK10 - Polycarbonate lens
IK07 - Tempered glass lens

Cabling:

14" leads 1.02 mm 18 AWG

Electrical Specifications:

Operating voltage:	100-277 VAC 50/60 Hz, 120-250 VDC
Operating temperature:	-40°F to +149°F (-40°C to +65°C)
EMC:	FCC Title 47, Subpart B, Section 15, Class A device RF Immunity 20V/m 80MHz-1GHz.
Transient protection:	6 kV, 2 Ohm line-line and line-ground
Harmonics:	IEC 61000-3-2, Class C
THD:	< 20%
Power factor:	> 0.9

Construction:

Housing:	Copper-free aluminum
Finish:	Superior dual coat finish - Sealed polyester topcoat - Epoxy primer
Lens:	Hard-coated polycarbonate Tempered glass

Photometric Information:

CRI:	80
CCT:	5000K (cool white) 4000K (neutral white)
Optics:	360° 180° forward throw for 45° mounting Wide for 0° mounting

All values typical unless otherwise stated (tolerance +/- 10%)

Vigilant® LED Area Light

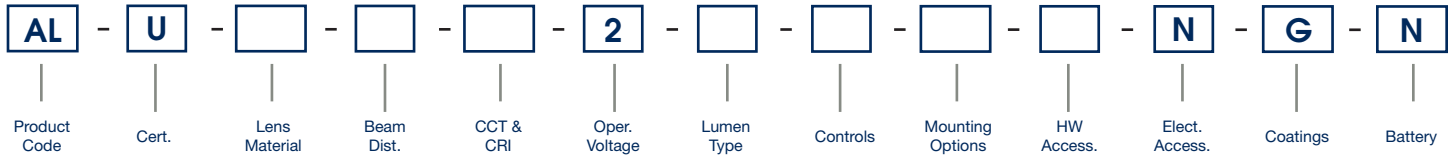
100-277 VAC, 120-250 VDC



Project Information	
Part Number:	
Project:	
Fixture Type:	Date:

Specifications

Ordering Information



Product Code	CCT & CRI	Mounting Options	Hardware Accessories
AL Area Light	C Cool White 5000K - 80 CRI N Neutral White 4000K - 80 CRI	Retro-fit Adapter Universal Mounting Adapter (UMA)	N For Mounting Options - A, C, F, G, H, K, M, S, U, V, W, Y (individual wire leads are terminated in adapter housing) W 10 ft (3 meter) Power Cable for Mounting Options - B, N
Certification	Operating Voltage		Electrical Accessories
U UL 1598/A CSA 22.2 No. 250.0	2 100-277 VAC, 120-250 VDC	B Swivel Bracket, Locking 0° - 90° 316 Stainless Steel N 3/4" NPT Pendant	N No Option
Lens Material	Lumen Type		Coatings
5 Polycarbonate - Diffused 7 Tempered Glass - Clear	3 3,100 Lumens 4 4,200 Lumens 6 5,700 Lumens 7 7,300 Lumens 9 9,000 Lumens	A Appleton Mercmaster III C Crouse-Hinds - Champ E GE Mini-Gard G GE Filtr-Gard H Thomas & Betts Hazlux K Killark Certilite & Certilite V M Appleton Mercmaster II P Holophane Petrolux II and III	G Gray (RAL 7040)
Beam Distribution	*For lumen output see page 21		Battery
A 180° B 360° W Wide		F Ceiling Mount R 90° Stanchion Mount (Slip) S 45° Stanchion Mount T 90° Stanchion Mount (NPT) U UMA - Mounting Hub V 0° Wall Mount W 45° Wall Mount Y 34mm Conveyor Mount	N No Option
	Controls		
	D Dimming (0-10V) N No Option		

- Notes**
- 1) For DLC approved model, dimming option is required.
 - 2) When ordering Beam Distribution W - Wide: Lumen Type = 7.
 - 3) When ordering Mounting Options "UMA" or "Retro-fit": Hardware Accessories = N
 - 4) When ordering Mounting Option U - UMA Mounting Hub HZXW01, HZXW45, HZXS45, HZXS90, HZXT90, HZXFM or HZXC34 are required. See page 28 for details.
 - 5) Lumen outputs shown are for Tempered Glass lens, 360° optic. For additional options please see page 21.
 - 6) GE Mini-Gard retrofit adapter models are not UL1598/A Outside-Type certified.

DISCLAIMER. All product information provided is, to the best of Dialight's knowledge, accurate as of the date of publication. When ordering, refer to www.dialight.com for current versions of: (a) relevant product documentation (including the relevant product data sheets); (b) Dialight terms and conditions of sale; and, (c) the relevant product warranty. To the extent that any contract is deemed formed between Dialight and the purchaser of Dialight products and/or an end-user, versions of documents available at www.dialight.com as at the date of sale shall be the versions incorporated therein. In the event of any discrepancy between this document or information provided at www.dialight.com, the latter shall prevail.

Ordering Information

Vigilant® LED Area Light - 100-277 VAC, 120-250 VDC



100-277 VAC, 120-250 VDC Model								
Part Number	Initial Fixture Lumens	Wattage	lm/W	CCT	Lens	Beam Distribution	Controls Option	Mounting
ALU-7AC2-9NNW-NGN	8,800	66	133	CW	Tempered Glass	180°	No Option	3/4" NPT
ALU-5AC2-9NNW-NGN	8,100	66	123	CW	Polycarbonate Diffused	180°	No Option	3/4" NPT
ALU-7BC2-9NNW-NGN	9,000	66	136	CW	Tempered Glass	360°	No Option	3/4" NPT
ALU-5BC2-9NNW-NGN	8,300	66	126	CW	Polycarbonate Diffused	360°	No Option	3/4" NPT
ALU-7AC2-7NNW-NGN	7,100	52	137	CW	Tempered Glass	180°	No Option	3/4" NPT
ALU-5AC2-7NNW-NGN	6,600	52	127	CW	Polycarbonate Diffused	180°	No Option	3/4" NPT
ALU-7BC2-7NNW-NGN	7,300	52	140	CW	Tempered Glass	360°	No Option	3/4" NPT
ALU-5BC2-7NNW-NGN	6,700	52	129	CW	Polycarbonate Diffused	360°	No Option	3/4" NPT
ALU-7WC2-7NNW-NGN	7,300	64	114	CW	Tempered Glass	Wide	No Option	3/4" NPT
ALU-5WC2-7NNW-NGN	6,700	64	105	CW	Polycarbonate Diffused	Wide	No Option	3/4" NPT
ALU-7AC2-6NNW-NGN	5,500	40	138	CW	Tempered Glass	180°	No Option	3/4" NPT
ALU-5AC2-6NNW-NGN	5,100	40	128	CW	Polycarbonate Diffused	180°	No Option	3/4" NPT
ALU-7BC2-6NNW-NGN	5,700	40	143	CW	Tempered Glass	360°	No Option	3/4" NPT
ALU-5BC2-6NNW-NGN	5,300	40	133	CW	Polycarbonate Diffused	360°	No Option	3/4" NPT
ALU-7AC2-4NNW-NGN	4,100	30	137	CW	Tempered Glass	180°	No Option	3/4" NPT
ALU-5AC2-4NNW-NGN	3,800	30	127	CW	Polycarbonate Diffused	180°	No Option	3/4" NPT
ALU-7BC2-4NNW-NGN	4,200	30	140	CW	Tempered Glass	360°	No Option	3/4" NPT
ALU-5BC2-4NNW-NGN	3,900	30	130	CW	Polycarbonate Diffused	360°	No Option	3/4" NPT
ALU-7AC2-3NNW-NGN	3,000	24	125	CW	Tempered Glass	180°	No Option	3/4" NPT
ALU-5AC2-3NNW-NGN	2,800	24	117	CW	Polycarbonate Diffused	180°	No Option	3/4" NPT
ALU-7BC2-3NNW-NGN	3,100	24	129	CW	Tempered Glass	360°	No Option	3/4" NPT
ALU-5BC2-3NNW-NGN	2,800	24	117	CW	Polycarbonate Diffused	360°	No Option	3/4" NPT
100-277 VAC, 120-250 VDC Model with Retro-fit Adapters - Crouse Hinds								
ALU-7BC2-7NCN-NGN	7,300	52	140	CW	Tempered Glass	360°	No Option	Retro-fit: Crouse Hinds
ALU-5BC2-7NCN-NGN	6,700	52	129	CW	Polycarbonate Diffused	360°	No Option	Retro-fit: Crouse Hinds
ALU-7BC2-6NCN-NGN	5,700	40	143	CW	Tempered Glass	360°	No Option	Retro-fit: Crouse Hinds
ALU-5BC2-6NCN-NGN	5,300	40	133	CW	Polycarbonate Diffused	360°	No Option	Retro-fit: Crouse Hinds
100-277 VAC, 120-250 VDC Model with Retro-fit Adapters - GE								
ALU-7BC2-7NGN-NGN	7,300	52	140	CW	Tempered Glass	360°	No Option	Retro-fit: GE
ALU-5BC2-7NGN-NGN	6,700	52	129	CW	Polycarbonate Diffused	360°	No Option	Retro-fit: GE
ALU-7BC2-6NGN-NGN	5,700	40	143	CW	Tempered Glass	360°	No Option	Retro-fit: GE
ALU-5BC2-6NGN-NGN	5,300	40	133	CW	Polycarbonate Diffused	360°	No Option	Retro-fit: GE

See ordering chart for additional options.

For DLC-approved products that require 0-10V dimming, replace the 9th character "N" with "D". ALU-7BC2-9NNW-NGN becomes ALU-7BC2-9DNW-NGN.

0-10V dimming products are supplied with a 5 conductor cable.

DISCLAIMER. All product information provided is, to the best of Dialight's knowledge, accurate as of the date of publication. When ordering, refer to www.dialight.com for current versions of: (a) relevant product documentation (including the relevant product data sheets); (b) Dialight terms and conditions of sale; and, (c) the relevant product warranty. To the extent that any contract is deemed formed between Dialight and the purchaser of Dialight products and/or an end-user, versions of documents available at www.dialight.com as at the date of sale shall be the versions incorporated therein. In the event of any discrepancy between this document or information provided at www.dialight.com, the latter shall prevail.

Ordering Information

Vigilant® LED Area Light - 100-277 VAC, 120-250 VDC

with Universal Mounting Adapter



100-277 VAC, 120-250 VDC with Universal Mounting Adapter

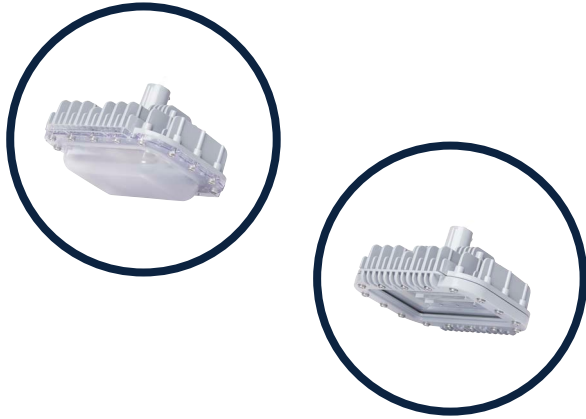
Part Number	Initial Fixture Lumens	Wattage	lm/W	CCT	Lens	Beam Distribution	Controls Option	Mounting
ALU-7AC2-7NUN-NGN	7,100	52	137	CW	Tempered Glass	180°	No Option	UMA Hub
ALU-5AC2-7NUN-NGN	6,600	52	127	CW	Polycarbonate Diffused	180°	No Option	UMA Hub
ALU-7BC2-7NUN-NGN	7,300	52	140	CW	Tempered Glass	360°	No Option	UMA Hub
ALU-5BC2-7NUN-NGN	6,700	52	129	CW	Polycarbonate Diffused	360°	No Option	UMA Hub
ALU-7AC2-6NUN-NGN	5,500	40	138	CW	Tempered Glass	180°	No Option	UMA Hub
ALU-5AC2-6NUN-NGN	5,100	40	128	CW	Polycarbonate Diffused	180°	No Option	UMA Hub
ALU-7BC2-6NUN-NGN	5,700	40	143	CW	Tempered Glass	360°	No Option	UMA Hub
ALU-5BC2-6NUN-NGN	5,300	40	133	CW	Polycarbonate Diffused	360°	No Option	UMA Hub
ALU-7AC2-7NSN-NGN	7,100	52	137	CW	Tempered Glass	180°	No Option	45° Stanchion
ALU-5AC2-7NSN-NGN	6,600	52	127	CW	Polycarbonate Diffused	180°	No Option	45° Stanchion
ALU-7AC2-6NSN-NGN	5,500	40	138	CW	Tempered Glass	180°	No Option	45° Stanchion
ALU-5AC2-6NSN-NGN	5,100	40	128	CW	Polycarbonate Diffused	180°	No Option	45° Stanchion
ALU-7AC2-4NSN-NGN	4,100	30	137	CW	Tempered Glass	180°	No Option	45° Stanchion
ALU-5AC2-4NSN-NGN	3,800	30	127	CW	Polycarbonate Diffused	180°	No Option	45° Stanchion
ALU-7AC2-7NWN-NGN	7,100	52	137	CW	Tempered Glass	180°	No Option	45° Wall
ALU-5AC2-7NWN-NGN	6,600	52	127	CW	Polycarbonate Diffused	180°	No Option	45° Wall
ALU-7AC2-6NWN-NGN	5,500	40	138	CW	Tempered Glass	180°	No Option	45° Wall
ALU-5AC2-6NWN-NGN	5,100	40	128	CW	Polycarbonate Diffused	180°	No Option	45° Wall
ALU-7AC2-4NWN-NGN	4,100	30	137	CW	Tempered Glass	180°	No Option	45° Wall
ALU-5AC2-4NWN-NGN	3,800	30	127	CW	Polycarbonate Diffused	180°	No Option	45° Wall
ALU-7AC2-7NVN-NGN	7,100	52	137	CW	Tempered Glass	180°	No Option	0° Wall
ALU-5AC2-7NVN-NGN	6,600	52	127	CW	Polycarbonate Diffused	180°	No Option	0° Wall
ALU-7AC2-6NVN-NGN	5,500	40	138	CW	Tempered Glass	180°	No Option	0° Wall
ALU-5AC2-6NVN-NGN	5,100	40	128	CW	Polycarbonate Diffused	180°	No Option	0° Wall
ALU-7AC2-4NVN-NGN	4,100	30	137	CW	Tempered Glass	180°	No Option	0° Wall
ALU-5AC2-4NVN-NGN	3,800	30	127	CW	Polycarbonate Diffused	180°	No Option	0° Wall
ALU-7BC2-7NFN-NGN	7,100	52	137	CW	Tempered Glass	360°	No Option	Ceiling Mount
ALU-5BC2-7NFN-NGN	6,600	52	127	CW	Polycarbonate Diffused	360°	No Option	Ceiling Mount
ALU-7BC2-6NFN-NGN	5,500	40	138	CW	Tempered Glass	360°	No Option	Ceiling Mount
ALU-5BC2-6NFN-NGN	5,100	40	128	CW	Polycarbonate Diffused	360°	No Option	Ceiling Mount
ALU-7BC2-4NFN-NGN	4,100	30	137	CW	Tempered Glass	360°	No Option	Ceiling Mount
ALU-5BC2-4NFN-NGN	3,800	30	127	CW	Polycarbonate Diffused	360°	No Option	Ceiling Mount

See ordering chart for additional options.

For DLC-approved products that require 0-10V dimming, replace the 9th character "N" with "D". ALU-7BC2-9NNW-NGN becomes ALU-7BC2-9DNW-NGN. 0-10V dimming products are supplied with a 5 conductor cable.

DISCLAIMER. All product information provided is, to the best of Dialight's knowledge, accurate as of the date of publication. When ordering, refer to www.dialight.com for current versions of: (a) relevant product documentation (including the relevant product data sheets); (b) Dialight terms and conditions of sale; and, (c) the relevant product warranty. To the extent that any contract is deemed formed between Dialight and the purchaser of Dialight products and/or an end-user, versions of documents available at www.dialight.com as at the date of sale shall be the versions incorporated therein. In the event of any discrepancy between this document or information provided at www.dialight.com, the latter shall prevail.

DuroSite® LED Area Light 347/480 VAC

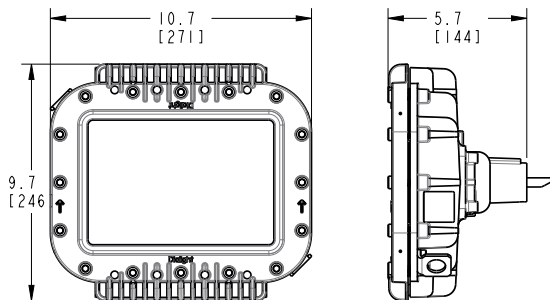


Certifications & Ratings*

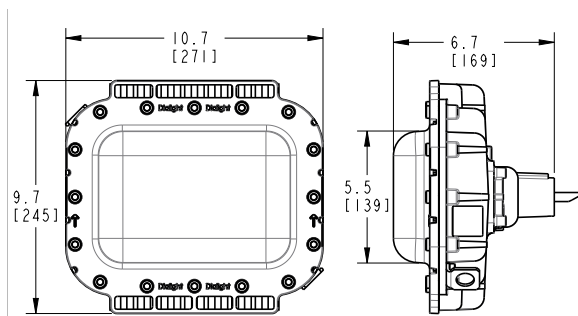
- 5 year warranty
- L70 > 100,000h @ 25°C
- UL 1598/A
- CSA C22.2 No. 250
- NOM
- IP66 / 67
- NEMA 4X

*ETL listed

Tempered Glass Lens



Polycarbonate Lens



Dimensions in inches [mm]
Additional dimensional drawings on pages 30-35

Mechanical Information:

Fixture weight: 10 lb (4.5 kg) - Polycarbonate lens
12 lb (5.5 kg) - Tempered glass lens
with stainless steel bracket: 13 lb (5.9 kg) - Polycarbonate lens
15 lb (6.8 kg) - Tempered glass lens

Shipping weight: Add 2 lb (0.91 kg) to weights above

Cabling: 10' (3.5 m) 5 conductor SOOW
14" (0.4 m) 5 conductor SOOW
Terminal block option available for wall,
wall 45° and stanchion 45°

Impact rating: IK10 - Polycarbonate lens
IK07 - Tempered glass lens

Cabling: 10' ST00W 1.02 mm 18 AWG

Electrical Specifications:

Operating voltage: 347/480 VAC

Total system power consumption: See table

Operating temperature: -40°F to +149°F (-40°C to +65°C)

EMC: FCC Title 47, Subpart B, Section 15,
Class A device
CISPR-15
RF Immunity 20V/m 80MHz-1GHz.

Transient protection: 6 kV, 2 Ohm line-line and line-ground

Harmonics: IEC 61000-3-2, Class C

THD: < 20%

Power factor: > 0.9

Construction:

Housing: Copper-free aluminum

Finish: Superior dual coat finish
- Sealed polyester topcoat
- Epoxy primer

Lens: Hard-coated polycarbonate
Tempered glass

Photometric Information:

CRI: 75

CCT: 5000K (cool white)

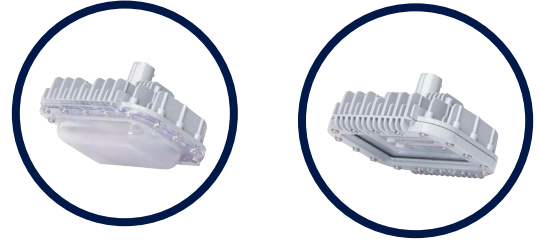
Optics: 360°
180° forward throw for 45° mounting
Wide for 0° mounting

All values typical unless otherwise stated (tolerance +/- 10%)

WARNING - INSTALLATION & SECONDARY RETENTION. Use of any Dialight products without proper installation (including secondary retention / netting) and periodic inspections could cause severe injury or death. Dialight recommends that all installations should use secondary retention / netting (appropriate to the installation environment) where applicable. It is the exclusive responsibility of the contractor, installer and/or end-user to: (a) determine the suitability of the product for its intended application; and, (b) ensure that the product is safely installed (with secondary retention / netting where appropriate) and in compliance with all applicable laws and regulations. To the extent permissible under applicable laws, Dialight disclaims all liability for personal injury and/or other damage resulting from any dislodgment or other dislocation of its products.

DuroSite® LED Area Light

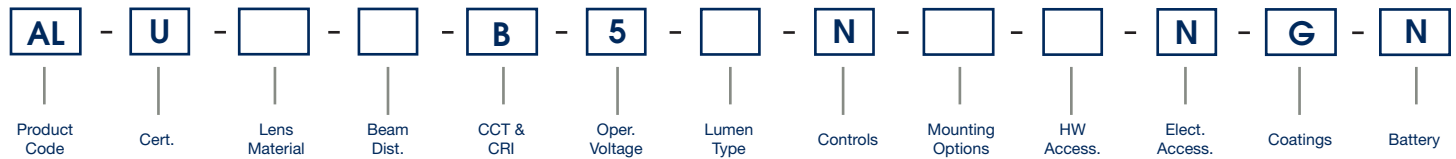
347/480 VAC



Project Information	
Part Number:	
Project:	
Fixture Type:	Date:

Specifications

Ordering Information



Product Code

AL Area Light

Certification

U UL 1598/A CSA 22.2 No. 250.0

Lens Material

- 5 Polycarbonate - Diffused
- 7 Tempered Glass - Clear

Beam Distribution

- A 180°
- B 360°

CCT & CRI

B Cool White 5000K - 70 CRI

Operating Voltage

5 347/480 VAC

Lumen Type

- 2 2,200 Lumens
- 4 4,000 Lumens
- 5 5,000 Lumens
- 6 6,000 Lumens
- 7 7,200 Lumens

*For lumen output see page 22

Controls

N No Options

Mounting Options

- Retro-fit Adapter
- Universal Mounting Adapter (UMA)
- B Swivel Bracket, Locking 0°- 90° 316 Stainless Steel
- N 3/4" NPT Pendant
- A Appleton Mercmaster III
- C Crouse-Hinds - Champ
- E GE Mini-Gard
- G GE Filtr-Gard
- H Thomas & Betts HazLux
- K Killark Certilite & Certilite V
- M Appleton Mercmaster II
- P Holophane Petrolux II and III
- F Ceiling Mount
- R 90° Stanchion Mount (Slip)
- S 45° Stanchion Mount
- T 90° Stanchion Mount (NPT)
- U UMA - Mounting Hub
- V 0° Wall Mount
- W 45° Wall Mount
- Y 34mm Conveyor Mount

Hardware Accessories

- N For Mounting Options - A, C, F, G, H, K, M, S, U, V, W, Y (individual wire leads are terminated in adapter housing)
- W 10 ft (3 meter) Power Cable for Mounting Options - B, N

Electrical Accessories

N No Option

Coatings

G Gray (RAL 7040)

Battery

N No Option

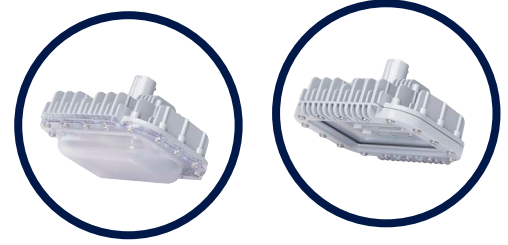
Notes

- 1) When using "UMA" or "Retro-fit" mounting options, Hardware Accessories = N.
- 2) Not all lumen options available for all voltage options, consult table.
- 3) When ordering Mounting Option U - UMA Mounting Hub HZXW01, HZXW45, HZXS45, HZXS90, HZXT90, HZXF01 or HZXC34 are required. See page 28 for details.
- 4) Lumen outputs shown are for Tempered Glass lens, 360° optic. For additional options please see page 21.
- 5) GE Mini-Gard retrofit adapter models are not UL1598/A Outside-Type certified.

DISCLAIMER: All product information provided is, to the best of Dialight's knowledge, accurate as of the date of publication. When ordering, refer to www.dialight.com for current versions of: (a) relevant product documentation (including the relevant product data sheets); (b) Dialight terms and conditions of sale; and, (c) the relevant product warranty. To the extent that any contract is deemed formed between Dialight and the purchaser of Dialight products and/or an end-user, versions of documents available at www.dialight.com as at the date of sale shall be the versions incorporated therein. In the event of any discrepancy between this document or information provided at www.dialight.com, the latter shall prevail.

Ordering Information

DuroSite® LED Area Light - 347/480 VAC



347/480 VAC Model								
Part Number	Initial Fixture Lumens	Wattage	lm/W	CCT	Lens	Beam Distribution	Controls Option	Mounting
ALU-7BB5-7NNW-NGN	7,000	68	103	CW	Tempered Glass	360°	No Option	3/4" NPT
ALU-5BB5-7NNW-NGN	6,900	68	101	CW	Poylcarbonate Diffused	360°	No Option	3/4" NPT
ALU-7AB5-7NNW-NGN	7,000	68	103	CW	Tempered Glass	180°	No Option	3/4" NPT
ALU-5AB5-7NNW-NGN	6,900	68	101	CW	Poylcarbonate Diffused	180°	No Option	3/4" NPT
ALU-7BB5-6NNW-NGN	6,000	58	103	CW	Tempered Glass	360°	No Option	3/4" NPT
ALU-5BB5-6NNW-NGN	5,700	58	98	CW	Poylcarbonate Diffused	360°	No Option	3/4" NPT
ALU-7AB5-6NNW-NGN	6,000	58	103	CW	Tempered Glass	180°	No Option	3/4" NPT
ALU-5AB5-6NNW-NGN	6,000	58	103	CW	Poylcarbonate Diffused	180°	No Option	3/4" NPT
ALU-7BB5-4NNW-NGN	4,000	38	105	CW	Tempered Glass	360°	No Option	3/4" NPT
ALU-5BB5-4NNW-NGN	4,000	38	105	CW	Poylcarbonate Diffused	360°	No Option	3/4" NPT
ALU-7AB5-4NNW-NGN	4,000	38	105	CW	Tempered Glass	180°	No Option	3/4" NPT
ALU-5AB5-4NNW-NGN	4,000	38	105	CW	Poylcarbonate Diffused	180°	No Option	3/4" NPT
100-277 VAC, 120-250 VDC Model with Retro-fit Adapters - Crouse Hinds								
ALU-7BB5-6NCN-NGN	6,000	58	103	CW	Tempered Glass	360°	No Option	Retro-fit: Crouse Hinds
ALU-5BB5-6NCN-NGN	6,000	58	103	CW	Poylcarbonate Diffused	360°	No Option	Retro-fit: Crouse Hinds
ALU-7AB5-6NCN-NGN	6,000	58	103	CW	Tempered Glass	180°	No Option	Retro-fit: Crouse Hinds
ALU-5AB5-6NCN-NGN	6,000	58	103	CW	Poylcarbonate Diffused	180°	No Option	Retro-fit: Crouse Hinds

See ordering chart for additional options.

SafeSite® LED Area Light

100-277 VAC, 120-250 VDC



Certifications & Ratings*

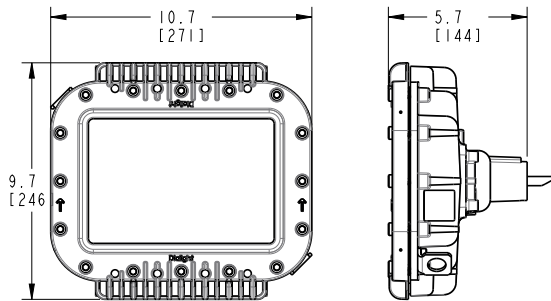
- 10 year warranty
- L70 > 150,000 hours @ 65°C
- UL 844, UL 1598/A
- CSA C22.2 No. 250
- CSA C22.2 No. 137-M81
- IP66 / 67 / 69
- NEMA 4X
- Factory sealed

ALD/ALF:

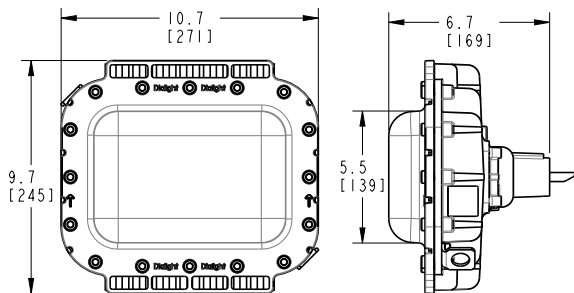
- Class I, Div. 2, Groups A, B, C, D
- Class I, Zone 2, Group IIC
- Class II, Div. 1, Groups E, F, G
- Zone 20 and 21
- Class II, Div. 2 Groups F, G
- Zone 22
- Class III, Div. 1 & 2

*ETL listed

Tempered Glass Lens



Polycarbonate Lens



Dimensions in inches [mm]
Additional dimensional drawings on pages 30-35

Mechanical Information:

Fixture weight: 10 lb (4.5 kg) - Polycarbonate lens
12 lb (5.5 kg) - Tempered glass lens
with stainless steel bracket: 13 lb (5.9 kg) - Polycarbonate lens
15 lb (6.8 kg) - Tempered glass lens

Shipping weight: Add 2 lb (0.91 kg) to weights above

Impact rating: IK10 - Polycarbonate lens
IK07 - Tempered glass lens

Cabling: 10' ST00W 1.02mm 18 AWG

Electrical Specifications:

Operating voltage: 100-277 VAC 50/60Hz, 120-250 VDC

Total system power consumption: See table

Operating temperature: -40°F to +149°F (-40°C to +65°C)

EMC: FCC Title 47, Subpart B, Section 15, Class A device
RF Immunity 20V/m 80MHz-1GHz.

Transient protection: 6 kV, 2 Ohm line-line and line-ground

Harmonics: IEC 61000-3-2, Class C

THD: < 20%

Power factor: > 0.9

Construction:

Housing: Copper-free aluminum

Finish: Superior dual coat finish
- Sealed polyester topcoat
- Epoxy primer

Lens: Hard-coated polycarbonate
Tempered glass

Photometric Information:

CRI: 80

CCT: 5000K (cool white)
4000K (neutral white)

Optics: 360°
180° forward throw for 45° mounting
Wide for 0° mounting

All values typical unless otherwise stated (tolerance +/- 10%)

Temperature Ratings

Ambient Temperature Range T4A

Ambient Temperature Range T5

-40°F to +149°F (-40°C to +65°C)

-40°F to +113°F (-40°C to +45°C)

WARNING - INSTALLATION & SECONDARY RETENTION. Use of any Dialight products without proper installation (including secondary retention / netting) and periodic inspections could cause severe injury or death. Dialight recommends that all installations should use secondary retention / netting (appropriate to the installation environment) where applicable. It is the exclusive responsibility of the contractor, installer and/or end-user to: (a) determine the suitability of the product for its intended application; and, (b) ensure that the product is safely installed (with secondary retention / netting where appropriate) and in compliance with all applicable laws and regulations. To the extent permissible under applicable laws, Dialight disclaims all liability for personal injury and/or other damage resulting from any dislodgment or other dislocation of its products.

SafeSite® LED Area Light

100-277 VAC, 120-250 VDC with Universal Mounting Adapter

Universal Mounting Adapter



For use with HZXW01, HZXW45, HZXS45 or HZXFM brackets sold separately



HZXW01



HZXS45



HZXS90 / HZXT90



HZXCV34



HZXW45

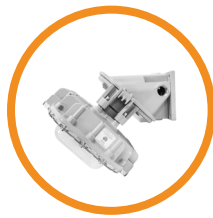


HZXFM

Wall & Ceiling Mount



45° Wall Mount



45° Stanchion Mount



Ceiling Mount



Conveyor Mount



90° Stanchion Mount



Certifications & Ratings*

- 10 year warranty
- L70 > 150,000 hours @ 65°C
- UL 844, UL 1598/A
- CSA C22.2 No. 250
- CSA C22.2 No. 137-M81
- IP66 / 67
- NEMA 4X
- Factory sealed

ALD/ALF:

- Class I, Div. 2, Groups A, B, C, D
- Class I, Zone 2, Group IIC
- Class II, Div. 1, Groups E, F, G
- Zone 20 and 21
- Class II, Div. 2 Groups F, G
- Zone 22
- Class III, Div. 1 & 2

*ETL listed

Additional dimensional drawings on pages 30-35

WARNING - INSTALLATION & SECONDARY RETENTION. Use of any Dialight products without proper installation (including secondary retention / netting) and periodic inspections could cause severe injury or death. Dialight recommends that all installations should use secondary retention / netting (appropriate to the installation environment) where applicable. It is the exclusive responsibility of the contractor, installer and/or end-user to: (a) determine the suitability of the product for its intended application; and, (b) ensure that the product is safely installed (with secondary retention / netting where appropriate) and in compliance with all applicable laws and regulations. To the extent permissible under applicable laws, Dialight disclaims all liability for personal injury and/or other damage resulting from any dislodgment or other dislocation of its products.

Mechanical Information:

Fixture weight:

UMA models:	12 lb (5.5 kg) - Polycarbonate lens
	15 lb (6.8 kg) - Tempered glass lens
Wall mount models:	15 lb (6.8 kg) - Polycarbonate lens
	18 lb (8.2 kg) - Tempered glass lens
45° wall mount models:	14 lb (6.4 kg) - Polycarbonate lens
	17 lb (7.7 kg) - Tempered glass lens
45° stanchion mount:	15 lb (6.8 kg) - Polycarbonate lens
	18 lb (8.2 kg) - Tempered glass lens
Ceiling mount:	14 lb (6.4 kg) - Polycarbonate lens
	7 lb (7.7 kg) - Tempered glass lens
90° stanchion mount:	16 lb (7.2 kg) - Polycarbonate lens
	19 lb (8.6 kg) - Tempered glass lens

Shipping weight:

Add 2 lb (0.91 kg) to weights above

Cabling:

14" leads 1.02 mm 18 AWG

Impact rating:

IK10 - Polycarbonate lens
IK07 - Tempered glass lens

Electrical Specifications:

Operating voltage:	100-277 VAC 50/60Hz, 120-250 VDC
Operating temperature:	-40°F to +149°F (-40°C to +65°C)
EMC:	FCC Title 47, Subpart B, Section 15, Class A device RF Immunity 20V/m 80MHz-1GHz.
Transient protection:	6 kV, 2 Ohm line-line and line-ground
Harmonics:	IEC 61000-3-2, Class C
THD:	< 20%
Power factor:	> 0.9

Construction:

Housing:	Copper-free aluminum
Finish:	Superior dual coat finish - Sealed polyester topcoat - Epoxy primer
Lens:	Hard-coated polycarbonate Tempered glass

Photometric Information:

CRI:	80
CCT:	5000K (cool white) 4000K (neutral white)
Optics:	360° 180° forward throw for 45° mounting Wide for 0° mounting

All values typical unless otherwise stated (tolerance +/- 10%)

Temperature Ratings

Ambient Temperature Range T4A

Ambient Temperature Range T5

-40°F to +149°F (-40°C to +65°C)

-40°F to +113°F (-40°C to +45°C)

SafeSite® LED Area Light

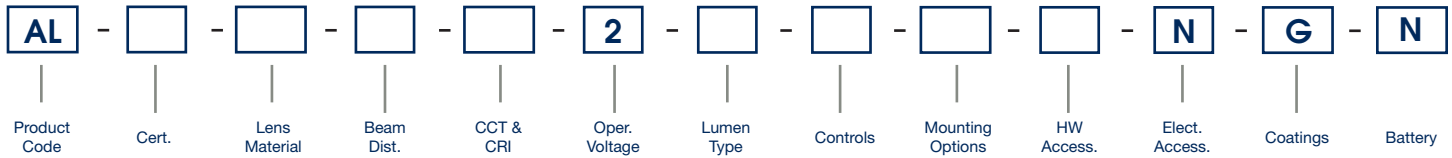
100-277 VAC, 120-250 VDC



Project Information	
Part Number:	
Project:	
Fixture Type:	Date:

Specifications

Ordering Information



<p>Product Code</p> <p>AL Area Light</p> <hr/> <p>Certification</p> <p>D UL 844 Class I, Div. 2 Class II, Div. 1, 2, Class III, Div. 1, 2 Class I, Zone 2, Group IIC, CSA C22.2 No. 137-M81</p> <p>F UL 844 Class II Div. 1, 2 Class I Div. 2, Class III, Div. 1, 2 CSA C22.2 No. 137- M81</p> <hr/> <p>Lens Material</p> <p>5 Polycarbonate - Diffused</p> <p>7 Tempered Glass - Clear</p> <hr/> <p>Beam Distribution</p> <p>A 180°</p> <p>B 360°</p> <p>W Wide</p>	<p>CCT & CRI</p> <p>C Cool White 5000K - 80 CRI</p> <p>N Neutral White 4000K - 80 CRI</p> <hr/> <p>Operating Voltage</p> <p>2 100-277 VAC, 120-250 VDC</p> <hr/> <p>Lumen Type</p> <p>3 3,100 Lumens</p> <p>4 4,200 Lumens</p> <p>6 5,700 Lumens</p> <p>7 7,300 Lumens</p> <p>9 9,000 Lumens</p> <p>*For lumen output see page 21</p> <hr/> <p>Controls</p> <p>D Dimming (0-10V)</p> <p>N No Option</p>	<p>Mounting Options</p> <p>Retro-fit Adapter</p> <p>Universal Mounting Adapter (UMA)</p> <hr/> <p>B Swivel Bracket, Locking 0°- 90° 316 Stainless Steel</p> <p>N 3/4" NPT Pendant</p> <p>A Appleton Mercmaster III</p> <p>C Crouse-Hinds - Champ</p> <p>E GE Mini-Gard</p> <p>G GE Filtr-Gard</p> <p>H Thomas & Betts Hazlux</p> <p>K Killark Certilite & Certilite V</p> <p>M Appleton Mercmaster II</p> <p>P Holophane Petrolux II and III</p> <p>F Ceiling Mount</p> <p>S 45° Stanchion Mount</p> <p>T 90° Stanchion Mount (NPT)</p> <p>U UMA - Mounting Hub</p> <p>V 0° Wall Mount</p> <p>W 45° Wall Mount</p> <p>Y 34mm Conveyor Mount</p>	<p>Hardware Accessories</p> <p>N For Mounting Options - A, C, F, G, H, K, M, S, U, V, W, Y (individual wire leads are terminated in adapter housing)</p> <p>W 10 ft (3 meter) Power Cable for Mounting Options - B, N</p> <hr/> <p>Electrical Accessories</p> <p>N No Option</p> <hr/> <p>Coatings</p> <p>G Gray (RAL 7040)</p> <hr/> <p>Battery</p> <p>N No Option</p>
--	---	---	--

- Notes**
- 1) For DLC approved model, dimming option is required.
 - 2) GE Mini-Gard retrofit adapter models are not Class II, Div. 1 certified
 - 3) When ordering Beam Distribution **W** - Wide: Lumen Type = 7.
 - 4) When ordering Mounting Options "UMA" or "Retro-fit": Hardware Accessories = **N**.
 - 5) When ordering Mounting Option **U** - UMA Mounting Hub HZXW01, HZXW45, HZXS45, HZXT90, HZXF01 or HZXC34 are required. See page 28 for details.
 - 6) Lumen outputs shown are for Tempered Glass lens, 360° optic. For additional options please see page 21.

DISCLAIMER. All product information provided is, to the best of Dialight's knowledge, accurate as of the date of publication. When ordering, refer to www.dialight.com for current versions of: (a) relevant product documentation (including the relevant product data sheets); (b) Dialight terms and conditions of sale; and, (c) the relevant product warranty. To the extent that any contract is deemed formed between Dialight and the purchaser of Dialight products and/or an end-user, versions of documents available at www.dialight.com as at the date of sale shall be the versions incorporated therein. In the event of any discrepancy between this document or information provided at www.dialight.com, the latter shall prevail.

Ordering Information

SafeSite® LED Area Light - 100-277 VAC, 120-250 VDC



100-277 VAC, 120-250 VDC Model								
Part Number	Initial Fixture Lumens	Wattage	lm/W	CCT	Lens	Beam Distribution	Controls Option	Mounting
ALD-7AC2-9NNW-NGN	8,800	66	133	CW	Tempered Glass	180°	No Option	3/4" NPT
ALD-5AC2-9NNW-NGN	8,100	66	123	CW	Polycarbonate Diffused	180°	No Option	3/4" NPT
ALD-7BC2-9NNW-NGN	9,000	66	136	CW	Tempered Glass	360°	No Option	3/4" NPT
ALD-5BC2-9NNW-NGN	8,300	66	126	CW	Polycarbonate Diffused	360°	No Option	3/4" NPT
ALD-7AC2-7NNW-NGN	7,100	52	137	CW	Tempered Glass	180°	No Option	3/4" NPT
ALD-5AC2-7NNW-NGN	6,600	52	127	CW	Polycarbonate Diffused	180°	No Option	3/4" NPT
ALD-7BC2-7NNW-NGN	7,300	52	140	CW	Tempered Glass	360°	No Option	3/4" NPT
ALD-5BC2-7NNW-NGN	6,700	52	129	CW	Polycarbonate Diffused	360°	No Option	3/4" NPT
ALD-7WC2-7NNW-NGN	7,300	64	114	CW	Tempered Glass	Wide	No Option	3/4" NPT
ALD-5WC2-7NNW-NGN	6,700	64	105	CW	Polycarbonate Diffused	Wide	No Option	3/4" NPT
ALD-7AC2-6NNW-NGN	5,500	40	138	CW	Tempered Glass	180°	No Option	3/4" NPT
ALD-5AC2-6NNW-NGN	5,100	40	128	CW	Polycarbonate Diffused	180°	No Option	3/4" NPT
ALD-7BC2-6NNW-NGN	5,700	40	143	CW	Tempered Glass	360°	No Option	3/4" NPT
ALD-5BC2-6NNW-NGN	5,300	40	133	CW	Polycarbonate Diffused	360°	No Option	3/4" NPT
ALD-7AC2-4NNW-NGN	4,100	30	137	CW	Tempered Glass	180°	No Option	3/4" NPT
ALD-5AC2-4NNW-NGN	3,800	30	127	CW	Polycarbonate Diffused	180°	No Option	3/4" NPT
ALD-7BC2-4NNW-NGN	4,200	30	140	CW	Tempered Glass	360°	No Option	3/4" NPT
ALD-5BC2-4NNW-NGN	3,900	30	130	CW	Polycarbonate Diffused	360°	No Option	3/4" NPT
ALD-7AC2-3NNW-NGN	3,000	24	125	CW	Tempered Glass	180°	No Option	3/4" NPT
ALD-5AC2-3NNW-NGN	2,800	24	117	CW	Polycarbonate Diffused	180°	No Option	3/4" NPT
ALD-7BC2-3NNW-NGN	3,100	24	129	CW	Tempered Glass	360°	No Option	3/4" NPT
ALD-5BC2-3NNW-NGN	2,800	24	117	CW	Polycarbonate Diffused	360°	No Option	3/4" NPT
100-277 VAC, 120-250 VDC Model with Retro-fit Adapters - Crouse Hinds								
ALD-7BC2-7NCN-NGN	7,300	52	140	CW	Tempered Glass	360°	No Option	Retro-fit: Crouse Hinds
ALD-5BC2-7NCN-NGN	6,700	52	129	CW	Polycarbonate Diffused	360°	No Option	Retro-fit: Crouse Hinds
ALD-7BC2-6NCN-NGN	5,700	40	143	CW	Tempered Glass	360°	No Option	Retro-fit: Crouse Hinds
ALD-5BC2-6NCN-NGN	5,300	40	133	CW	Polycarbonate Diffused	360°	No Option	Retro-fit: Crouse Hinds
100-277 VAC, 120-250 VDC Model with Retro-fit Adapters - GE								
ALD-7BC2-7NGN-NGN	7,300	52	140	CW	Tempered Glass	360°	No Option	Retro-fit: GE
ALD-5BC2-7NGN-NGN	6,700	52	129	CW	Polycarbonate Diffused	360°	No Option	Retro-fit: GE
ALD-7BC2-6NGN-NGN	5,700	40	143	CW	Tempered Glass	360°	No Option	Retro-fit: GE
ALD-5BC2-6NGN-NGN	5,300	40	133	CW	Polycarbonate Diffused	360°	No Option	Retro-fit: GE

See ordering chart for additional options.

For DLC-approved products that require 0-10V dimming, replace the 9th character "N" with "D". ALU-7BC2-9NNW-NGN becomes ALU-7BC2-9DNW-NGN. 0-10V dimming products are supplied with a 5 conductor cable.

DISCLAIMER. All product information provided is, to the best of Dialight's knowledge, accurate as of the date of publication. When ordering, refer to www.dialight.com for current versions of: (a) relevant product documentation (including the relevant product data sheets); (b) Dialight terms and conditions of sale; and, (c) the relevant product warranty. To the extent that any contract is deemed formed between Dialight and the purchaser of Dialight products and/or an end-user, versions of documents available at www.dialight.com as at the date of sale shall be the versions incorporated therein. In the event of any discrepancy between this document or information provided at www.dialight.com, the latter shall prevail.

Ordering Information

SafeSite® LED Area Light - 100-277 VAC, 120-250 VDC

with Universal Mounting Adapter



100-277 VAC, 120-250 VDC with Universal Mounting Adapter

Part Number	Initial Fixture Lumens	Wattage	lm/W	CCT	Lens	Beam Distribution	Controls Option	Mounting
ALD-7AC2-7NUN-NGN	7,100	52	137	CW	Tempered Glass	180°	No Option	UMA Hub
ALD-5AC2-7NUN-NGN	6,600	52	127	CW	Polycarbonate Diffused	180°	No Option	UMA Hub
ALD-7BC2-7NUN-NGN	7,300	52	140	CW	Tempered Glass	360°	No Option	UMA Hub
ALD-5BC2-7NUN-NGN	6,700	52	129	CW	Polycarbonate Diffused	360°	No Option	UMA Hub
ALD-7AC2-6NUN-NGN	5,500	40	138	CW	Tempered Glass	180°	No Option	UMA Hub
ALD-5AC2-6NUN-NGN	5,100	40	128	CW	Polycarbonate Diffused	180°	No Option	UMA Hub
ALD-7BC2-6NUN-NGN	5,700	40	143	CW	Tempered Glass	360°	No Option	UMA Hub
ALD-5BC2-6NUN-NGN	5,300	40	133	CW	Polycarbonate Diffused	360°	No Option	UMA Hub
ALD-7AC2-7NSN-NGN	7,100	52	137	CW	Tempered Glass	180°	No Option	45° Stanchion
ALD-5AC2-7NSN-NGN	6,600	52	127	CW	Polycarbonate Diffused	180°	No Option	45° Stanchion
ALD-7AC2-6NSN-NGN	5,500	40	138	CW	Tempered Glass	180°	No Option	45° Stanchion
ALD-5AC2-6NSN-NGN	5,100	40	128	CW	Polycarbonate Diffused	180°	No Option	45° Stanchion
ALD-7AC2-4NSN-NGN	4,100	30	137	CW	Tempered Glass	180°	No Option	45° Stanchion
ALD-5AC2-4NSN-NGN	3,800	30	127	CW	Polycarbonate Diffused	180°	No Option	45° Stanchion
ALD-7AC2-7NWN-NGN	7,100	52	137	CW	Tempered Glass	180°	No Option	45° Wall
ALD-5AC2-7NWN-NGN	6,600	52	127	CW	Polycarbonate Diffused	180°	No Option	45° Wall
ALD-7AC2-6NWN-NGN	5,500	40	138	CW	Tempered Glass	180°	No Option	45° Wall
ALD-5AC2-6NWN-NGN	5,100	40	128	CW	Polycarbonate Diffused	180°	No Option	45° Wall
ALD-7AC2-4NWN-NGN	4,100	30	137	CW	Tempered Glass	180°	No Option	45° Wall
ALD-5AC2-4NWN-NGN	3,800	30	127	CW	Polycarbonate Diffused	180°	No Option	45° Wall
ALD-7AC2-7NVN-NGN	7,100	52	137	CW	Tempered Glass	180°	No Option	0° Wall
ALD-5AC2-7NVN-NGN	6,600	52	127	CW	Polycarbonate Diffused	180°	No Option	0° Wall
ALD-7AC2-6NVN-NGN	5,500	40	138	CW	Tempered Glass	180°	No Option	0° Wall
ALD-5AC2-6NVN-NGN	5,100	40	128	CW	Polycarbonate Diffused	180°	No Option	0° Wall
ALD-7AC2-4NVN-NGN	4,100	30	137	CW	Tempered Glass	180°	No Option	0° Wall
ALD-5AC2-4NVN-NGN	3,800	30	127	CW	Polycarbonate Diffused	180°	No Option	0° Wall
ALD-7BC2-7NFN-NGN	7,100	52	137	CW	Tempered Glass	360°	No Option	Ceiling Mount
ALD-5BC2-7NFN-NGN	6,600	52	127	CW	Polycarbonate Diffused	360°	No Option	Ceiling Mount
ALD-7BC2-6NFN-NGN	5,500	40	138	CW	Tempered Glass	360°	No Option	Ceiling Mount
ALD-5BC2-6NFN-NGN	5,100	40	128	CW	Polycarbonate Diffused	360°	No Option	Ceiling Mount
ALD-7BC2-4NFN-NGN	4,100	30	137	CW	Tempered Glass	360°	No Option	Ceiling Mount
ALD-5BC2-4NFN-NGN	3,800	30	127	CW	Polycarbonate Diffused	360°	No Option	Ceiling Mount

See ordering chart for additional options.

For DLC-approved products that require 0-10V dimming, replace the 9th character "N" with "D". ALU-7BC2-9NNW-NGN becomes ALU-7BC2-9DNW-NGN. 0-10V dimming products are supplied with a 5 conductor cable.

DISCLAIMER. All product information provided is, to the best of Dialight's knowledge, accurate as of the date of publication. When ordering, refer to www.dialight.com for current versions of: (a) relevant product documentation (including the relevant product data sheets); (b) Dialight terms and conditions of sale; and, (c) the relevant product warranty. To the extent that any contract is deemed formed between Dialight and the purchaser of Dialight products and/or an end-user, versions of documents available at www.dialight.com as at the date of sale shall be the versions incorporated therein. In the event of any discrepancy between this document or information provided at www.dialight.com, the latter shall prevail.

SafeSite® LED Area Light Class I, Div. 1



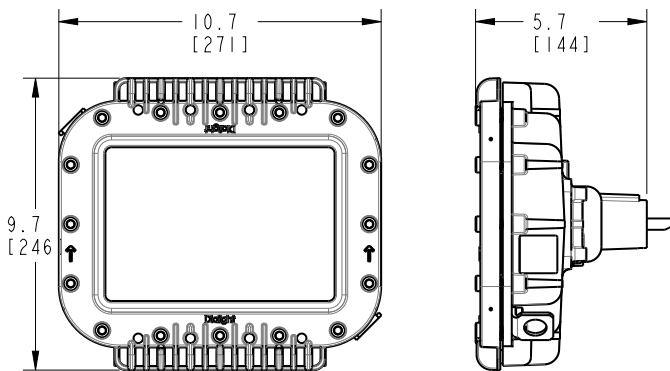
Certifications & Ratings*

- 10 year warranty
- L70 > 150,000 hours @ 65°C
- UL 844, UL 1598/A
- CSA C22.2 No. 250
- CSA C22.2 No. 137-M81
- IP66 / 67 / 69
- NEMA 4X
- Factory sealed
- Class I, Division 1, Group B-D Locations
- Class I, Zone 1, Group IIB + Hydrogen
- Class II, Division 1, Groups E-G Locations
- Zone 21, Zone 22

OR

- Class I, Division 1, Groups C-D Locations
- Class I, Zone 1, Group IIB
- Class II, Division 1, Groups E-G Locations
- Zone 21, Zone 22

*ETL listed



Dimensions in inches [mm]
Additional dimensional drawings on pages 30-35

Mechanical Information:

Fixture weight:	15 lb (6.8 kg)
Shipping weight:	Add 2 lb (0.91 kg) to weights above
Cabling:	10' (3.5 m) 5 conductor SOOW
Impact rating:	IK07 - Tempered glass lens
Cabling:	10' ST00W 1.02mm 18 AWG

Electrical Specifications:

Operating voltage:	100-277 VAC 50/60Hz, 120-250 VDC
Total system power consumption:	See table
Operating temperature:	-40°F to +149°F (-40°C to +65°C)
EMC:	FCC Title 47, Subpart B, Section 15, Class A device CISPR-15 RF Immunity 20V/m 80MHz-1GHz.
Transient protection:	6 kV, 2 Ohm line-line and line-ground
Harmonics:	IEC 61000-3-2, Class C
THD:	< 20%
Power factor:	> 0.9

Construction:

Housing:	Copper-free aluminum
Finish:	Superior dual coat finish - Sealed polyester topcoat - Epoxy primer
Lens:	Tempered glass

Photometric Information:

CRI:	80
CCT:	5000K (cool white) 4000K (neutral white)
Optics:	360° 180° forward throw for 45° mounting Wide for 0° mounting

All values typical unless otherwise stated (tolerance +/- 10%)

Temperature Ratings

Ambient Temperature Range T4A	Ambient Temperature Range T5
-40°F to +149°F (-40°C to +65°C)	-40°F to +113°F (-40°C to +45°C)

WARNING - INSTALLATION & SECONDARY RETENTION. Use of any Dialight products without proper installation (including secondary retention / netting) and periodic inspections could cause severe injury or death. Dialight recommends that all installations should use secondary retention / netting (appropriate to the installation environment) where applicable. It is the exclusive responsibility of the contractor, installer and/or end-user to: (a) determine the suitability of the product for its intended application; and, (b) ensure that the product is safely installed (with secondary retention / netting where appropriate) and in compliance with all applicable laws and regulations. To the extent permissible under applicable laws, Dialight disclaims all liability for personal injury and/or other damage resulting from any dislodgment or other dislocation of its products.

SafeSite® LED Area Light

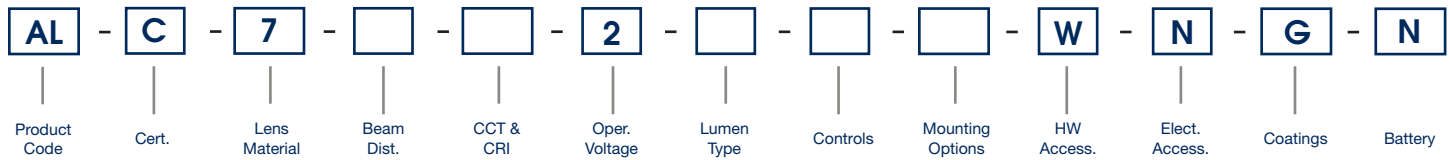
Class I, Div. 1



Project Information	
Part Number:	
Project:	
Fixture Type:	Date:

Specifications

Ordering Information



Product Code

AL Area Light

Certification

C Class I, Division 1, Group B-D Locations
 Class I, Zone 1, Group IIB + Hydrogen
 Class II, Division 1, Groups E-G Locations
 Zone 21, Zone 22
 OR
 Class I, Division 1, Groups C-D Locations
 Class I, Zone 1, Group IIB
 Class II, Division 1, Groups E-G Locations
 Zone 21, Zone 22

Lens Material

7 Tempered Glass - Clear

Beam Distribution

A 180°

B 360°

W Wide

CCT & CRI

C Cool White 5000K - 80 CRI

N Neutral White 4000K - 80 CRI

Operating Voltage

2 100-277 VAC, 120-250 VDC

Lumen Type

3 3,001 - 4,000 Lumens

4 4,001 - 5,000 Lumens

6 5,001 - 6,000 Lumens

7 6,001 - 7,000 Lumens

9 8,001 - 9,000 Lumens

Controls

D Dimming (0-10V)

N No Option

Mounting Options

B Swivel Bracket, Locking 0°- 90°
 316 Stainless Steel

N 3/4" NPT

Hardware Accessories

W 10 ft (3 meter) Power Cable

Electrical Accessories

N No Option

Coatings

G Gray (RAL 7040)

Battery

N No Option

Notes

1) When ordering Beam Distribution W - Wide: Lumen Type = 7.

2) For lumen output see page 21.

Ordering Information

SafeSite® LED Area Light - Class I, Div. 1



Class I, Div. 1 Model								
Part Number	Initial Fixture Lumens	Wattage	lm/W	CCT	Lens	Beam Distribution	Controls Option	Mounting
ALC-7BC2-9NNW-NGN	8,600	66	130	CW	Tempered Glass	360	No Option	3/4" NPT
ALC-7AC2-9NNW-NGN	8,400	66	127	CW	Tempered Glass	180	No Option	3/4" NPT
ALC-7BC2-7NNW-NGN	7,000	52	135	CW	Tempered Glass	360	No Option	3/4" NPT
ALC-7AC2-7NNW-NGN	6,800	52	131	CW	Tempered Glass	180	No Option	3/4" NPT
ALC-7BC2-6NNW-NGN	5,400	40	135	CW	Tempered Glass	360	No Option	3/4" NPT
ALC-7AC2-6NNW-NGN	5,300	40	133	CW	Tempered Glass	180	No Option	3/4" NPT
ALC-7BC2-4NNW-NGN	4,000	30	133	CW	Tempered Glass	360	No Option	3/4" NPT
ALC-7AC2-4NNW-NGN	3,900	30	130	CW	Tempered Glass	180	No Option	3/4" NPT
ALC-7BC2-3NNW-NGN	2,900	24	121	CW	Tempered Glass	360	No Option	3/4" NPT
ALC-7AC2-3NNW-NGN	2,900	24	121	CW	Tempered Glass	180	No Option	3/4" NPT
100-277 VAC, 120-250 VDC Model with Adjustable Bracket								
ALC-7BC2-9NBW-NGN	8,600	66	130	CW	Tempered Glass	360	No Option	Stainless Steel Adjustable Bracket
ALC-7AC2-9NBW-NGN	8,400	66	127	CW	Tempered Glass	180	No Option	Stainless Steel Adjustable Bracket
ALC-7BC2-7NBW-NGN	7,000	52	135	CW	Tempered Glass	360	No Option	Stainless Steel Adjustable Bracket
ALC-7AC2-7NBW-NGN	6,800	52	131	CW	Tempered Glass	180	No Option	Stainless Steel Adjustable Bracket
ALC-7BC2-6NBW-NGN	5,400	40	135	CW	Tempered Glass	360	No Option	Stainless Steel Adjustable Bracket
ALC-7AC2-6NBW-NGN	5,300	40	133	CW	Tempered Glass	180	No Option	Stainless Steel Adjustable Bracket
ALC-7BC2-4NBW-NGN	4,000	30	133	CW	Tempered Glass	360	No Option	Stainless Steel Adjustable Bracket
ALC-7AC2-4NBW-NGN	3,900	30	130	CW	Tempered Glass	180	No Option	Stainless Steel Adjustable Bracket
ALC-7BC2-3NBW-NGN	2,900	24	121	CW	Tempered Glass	360	No Option	Stainless Steel Adjustable Bracket
ALC-7AC2-3NBW-NGN	2,900	24	121	CW	Tempered Glass	180	No Option	Stainless Steel Adjustable Bracket

See ordering chart for additional options.

SafeSite® LED Area Light

347/480 VAC



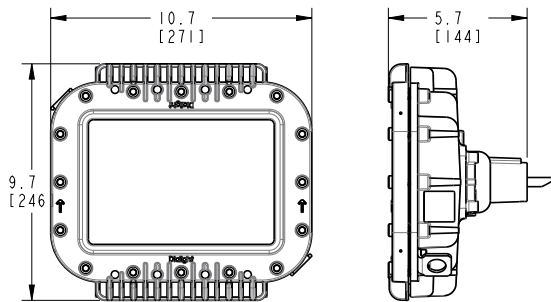
Certifications & Ratings*

- 5 year warranty
- UL 1598/A, UL 844
- L70 > 100,000h @ 25°C
- Class I, Div. 1, Groups B, C, D
- Class I, Div. 2, Groups A, B, C, D
- Class II, Div. 1, Groups E, F, G

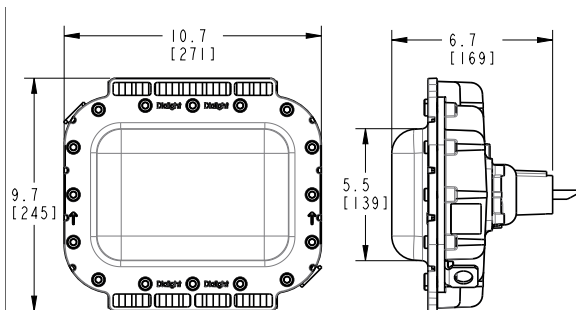
*ETL listed

- Class III, Div. 1 & 2
- CSA C22.2 No. 137
- CSA C22.2 No. 250
- IP66 / 67
- NEMA 4X

Tempered Glass Lens



Polycarbonate Lens



Dimensions in inches [mm]

Additional dimensional drawings on pages 30-35

Mechanical Information:

Fixture weight:	10 lb (4.5 kg) - Polycarbonate lens 12 lb (5.5 kg) - Tempered glass lens
Wall mount models:	15 lb (6.8 kg) - Polycarbonate lens 18 lb (8.2 kg) - Tempered glass lens
45° wall mount models:	14 lb (6.4 kg) - Polycarbonate lens 17 lb (7.7 kg) - Tempered glass lens
45° stanchion mount:	15 lb (6.8 kg) - Polycarbonate lens 18 lb (8.2 kg) - Tempered glass lens
90° stanchion mount:	16 lb (7.2 kg) - Polycarbonate lens 19 lb (8.6 kg) - Tempered glass lens
Class I, Div. 1 model:	15 lb (6.8 kg)

Shipping weight: Add 2 lb (0.91 kg) to weights above

Impact rating: IK10 - Polycarbonate lens
IK07 - Tempered glass lens

Cabling: 10' STOOW 1.02mm 18 AWG

Electrical Specifications:

Operating voltage: 347/480 VAC

Total system power consumption: See table

Operating temperature: -40°F to +149°F (-40°C to +65°C)

EMC: FCC Title 47, Subpart B, Section 15, Class A device
RF Immunity 20V/m 80MHz-1GHz.

Transient protection: 6 kV, 2 Ohm line-line and line-ground

Harmonics: IEC 61000-3-2, Class C

THD: < 20%

Power factor: > 0.9

Construction:

Housing: Copper-free aluminum

Finish: Superior dual coat finish
- Sealed polyester topcoat
- Epoxy primer

Lens: Tempered glass

Photometric Information:

CRI: 75

CCT: 5000K (cool white)

Optics: 360°
180° forward throw for 45° mounting

All values typical unless otherwise stated (tolerance +/- 10%)

Temperature Ratings

Ambient Temperature Range T4A	Ambient Temperature Range T5
-40°F to +149°F (-40°C to +65°C)	-40°F to +113°F (-40°C to +45°C)

WARNING - INSTALLATION & SECONDARY RETENTION. Use of any Dialight products without proper installation (including secondary retention / netting) and periodic inspections could cause severe injury or death. Dialight recommends that all installations should use secondary retention / netting (appropriate to the installation environment) where applicable. It is the exclusive responsibility of the contractor, installer and/or end-user to: (a) determine the suitability of the product for its intended application; and, (b) ensure that the product is safely installed (with secondary retention / netting where appropriate) and in compliance with all applicable laws and regulations. To the extent permissible under applicable laws, Dialight disclaims all liability for personal injury and/or other damage resulting from any dislodgment or other dislocation of its products.

SafeSite® LED Area Light

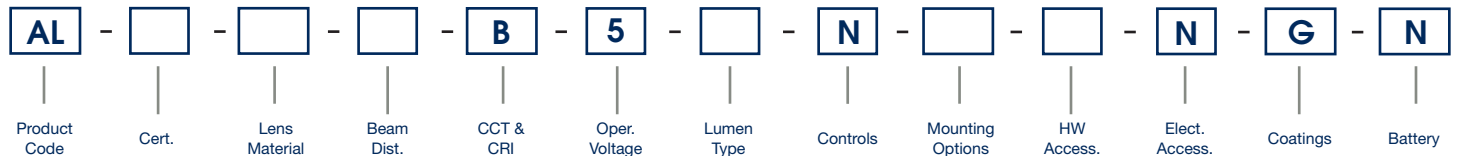
347/480 VAC



Project Information	
Part Number:	
Project:	
Fixture Type:	Date:

Specifications

Ordering Information



Product Code

AL	Area Light
----	------------

Certification

C	Class I Div. 1 Groups C, D Class II Div. 1 Groups E, F, G CSA 22.2 No. 137
D	UL 844 Class I Div. 2 CSA 22.2 No. 137 - M81
F	UL 844 Class II Div. 1, 2 Class I Div. 2 CSA 22.2 No. 137 - M81
P	Class I Div. 1 Groups B, C, D Class II Div. 1 Groups E, F, G CSA 22.2 No. 137

Lens Material

5	Polycarbonate - Diffused
7	Tempered Glass - Clear

Beam Distribution

A	180°
B	360°

CCT & CRI

B	Cool White 5000K - 70 CRI
---	---------------------------

Operating Voltage

5	347/480 VAC
---	-------------

Lumen Type

2	2,200 Lumens
4	4,000 Lumens
5	5,000 Lumens
6	6,000 Lumens
7	7,200 Lumens

*For lumen output see page 22

Controls

N	No Options
---	------------

Mounting Options

	Retro-fit Adapter
	Universal Mounting Adapter (UMA)

B	Swivel Bracket, Locking 0°- 90° 316 Stainless Steel
N	3/4" NPT Pendant

A	Appleton Mercmaster III
C	Crouse-Hinds - Champ
E	GE Mini-Gard
G	GE Filtr-Gard
H	Thomas & Betts Hazlux
K	Killark Certilite & Certilite V
M	Appleton Mercmaster II
P	Holophane Petrolux II and III
F	Ceiling Mount
S	45° Stanchion Mount
T	90° Stanchion Mount (NPT)
U	UMA - Mounting Hub
V	0° Wall Mount
W	45° Wall Mount
Y	34mm Conveyor Mount

Hardware Accessories

N	For Mounting Options - A, C, F, G, H, K, M, S, U, V, W, Y (individual wire leads are terminated in adapter housing)
W	10 ft (3 meter) Power Cable Mounting Options - B, N

Electrical Accessories

N	No Option
---	-----------

Coatings

G	Gray (RAL 7040)
---	-----------------

Battery

N	No Option
---	-----------

Notes

- When using "UMA" or "Retro-fit" mounting options, Hardware Accessories = N.
- GE Mini-Gard retrofit adapter models are not Class II, Div. 1 certified
- When ordering Certification option C or P:
 - Lens Material = 7 - Glass - Clear
 - Mounting Option = N - 3/4" NPT or B - Swivel Bracket, Locking 0°- 90° 316 Stainless Steel
 - Hardware Accessories = W 10 ft (3 meter) Power Cable for Mounting Options - B, N
- Lumen outputs shown are for Tempered Glass lens, 360° optic. For additional options please see page 22.

DISCLAIMER. All product information provided is, to the best of Dialight's knowledge, accurate as of the date of publication. When ordering, refer to www.dialight.com for current versions of: (a) relevant product documentation (including the relevant product data sheets); (b) Dialight terms and conditions of sale; and, (c) the relevant product warranty. To the extent that any contract is deemed formed between Dialight and the purchaser of Dialight products and/or an end-user, versions of documents available at www.dialight.com as at the date of sale shall be the versions incorporated therein. In the event of any discrepancy between this document or information provided at www.dialight.com, the latter shall prevail.

Ordering Information

SafeSite® LED Area Light - 347/480 VAC



347/480 VAC Model								
Part Number	Initial Fixture Lumens	Wattage	lm/W	CCT	Lens	Beam Distribution	Controls Option	Mounting
ALD-7BB5-7NNW-NGN	7,200	68	106	CW	Tempered Glass	360°	No Option	3/4" NPT
ALD-5BB5-7NNW-NGN	7,000	68	103	CW	Polycarbonate Diffused	360°	No Option	3/4" NPT
ALD-7AB5-7NNW-NGN	7,200	68	106	CW	Tempered Glass	180°	No Option	3/4" NPT
ALD-5AB5-7NNW-NGN	7,000	68	103	CW	Polycarbonate Diffused	180°	No Option	3/4" NPT
ALD-7BB5-6NNW-NGN	6,000	58	103	CW	Tempered Glass	360°	No Option	3/4" NPT
ALD-5BB5-6NNW-NGN	5,700	58	98	CW	Polycarbonate Diffused	360°	No Option	3/4" NPT
ALD-7AB5-6NNW-NGN	6,000	58	103	CW	Tempered Glass	180°	No Option	3/4" NPT
ALD-5AB5-6NNW-NGN	6,000	58	103	CW	Polycarbonate Diffused	180°	No Option	3/4" NPT
ALD-7BB5-4NNW-NGN	4,000	38	105	CW	Tempered Glass	360°	No Option	3/4" NPT
ALD-5BB5-4NNW-NGN	3,800	38	100	CW	Polycarbonate Diffused	360°	No Option	3/4" NPT
ALD-7AB5-4NNW-NGN	4,000	38	105	CW	Tempered Glass	180°	No Option	3/4" NPT
ALD-5AB5-4NNW-NGN	3,800	38	100	CW	Polycarbonate Diffused	180°	No Option	3/4" NPT
347/480 VAC Model with Retro-fit Adapters - Crouse Hinds								
ALD-7BB5-6NCN-NGN	6,000	58	103	CW	Tempered Glass	360°	No Option	Retro-fit: Crouse Hinds
ALD-5BB5-6NCN-NGN	6,000	58	103	CW	Polycarbonate Diffused	360°	No Option	Retro-fit: Crouse Hinds
ALD-7AB5-6NCN-NGN	6,000	58	103	CW	Tempered Glass	180°	No Option	Retro-fit: Crouse Hinds
ALD-5AB5-6NCN-NGN	6,000	58	103	CW	Polycarbonate Diffused	180°	No Option	Retro-fit: Crouse Hinds

See ordering chart for additional options.

Lumen Tables

Vigilant® & SafeSite® LED Area Light - 100-277 VAC, 120-250 VDC

100-277 VAC, 120-250 VDC										
Output Family	Beam Distribution	Lens	Wattage	Lumens 5000 CCT	5000 CCT lm/W	Lumens 4000 CCT	4000 CCT lm/W	Lumens 2700 CCT	2700 CCT lm/W	
9,000	360°	Tempered Glass	66	9000	136	8800	134	8200	124	
		Class I, Div 1 Glass		8600	131	8400	128	7900	120	
		Polycarbonate		8300	127	8100	123	7600	115	
	180°	Tempered Glass		8800	134	8600	131	8000	121	
		Class I, Div 1 Glass		8400	128	8200	125	7700	117	
		Polycarbonate		8100	124	7900	120	7400	112	
7,300	360°	Tempered Glass	52	7300	140	7100	138	6700	129	
		Class I, Div 1 Glass		7000	135	6800	132	6400	123	
		Polycarbonate		6700	131	6500	126	6100	117	
	180°	Tempered Glass		7100	138	6900	134	6500	125	
		Class I, Div 1 Glass		6800	132	6600	128	6200	119	
		Polycarbonate		6600	128	6400	124	6000	115	
	Wide	Tempered Glass		64	7300	114	7100	112	6700	105
		Class I, Div 1 Glass			7000	110	6800	107	6400	100
		Polycarbonate			6700	106	6500	103	6100	95
5,700	360°	Tempered Glass	40	5700	143	5500	140	5200	130	
		Class I, Div 1 Glass		5400	137	5200	132	4900	123	
		Polycarbonate		5300	133	5100	130	4800	120	
	180°	Tempered Glass		5500	140	5300	135	5000	125	
		Class I, Div 1 Glass		5300	134	5100	130	4800	120	
		Polycarbonate		5100	130	4900	125	4600	115	
4,200	360°	Tempered Glass	30	4200	140	4100	137	3800	127	
		Class I, Div 1 Glass		4000	134	3900	131	3600	120	
		Polycarbonate		3900	130	3800	127	3900	130	
	180°	Tempered Glass		4100	137	4000	134	4100	137	
		Class I, Div 1 Glass		3900	132	3800	127	3900	130	
		Polycarbonate		3800	127	3700	124	3400	113	
3,100	360°	Tempered Glass	24	3100	129	3000	127	2800	117	
		Class I, Div 1 Glass		2900	124	2900	121	2600	108	
		Polycarbonate		2800	120	2700	114	2500	104	
	180°	Tempered Glass		3000	127	2900	123	2700	113	
		Class I, Div 1 Glass		2900	121	2800	118	2600	108	
		Polycarbonate		2800	118	2700	114	2500	104	

All values typical unless otherwise stated (tolerance +/- 10%)
 For lighting layouts, please find IES files at www.dialight.com

Lumen Tables

DuroSite® & SafeSite® LED Area Light - 347/480 VAC

347/480 VAC							
Output Family	Beam Distribution	Lens	Wattage	Lumens 5000 CCT	5000 CCT lm/W	Lumens 4000 CCT	4000 CCT lm/W
7,250	360°	Tempered Glass	68	7200	107	7100	104
		Class I, Div 1 Glass		6900	102	6800	100
		Polycarbonate		6900	102	6800	100
	180°	Tempered Glass		7200	107	7100	104
		Class I, Div 1 Glass		6900	102	6800	100
		Polycarbonate		6900	102	6800	100
6,000	360°	Tempered Glass	58	6000	103	5800	101
		Class I, Div 1 Glass		5700	99	5600	97
		Polycarbonate		5700	99	5600	97
	180°	Tempered Glass		6000	103	5800	101
		Class I, Div 1 Glass		5700	99	5600	97
		Polycarbonate		5700	99	5600	97
5,000	360°	Tempered Glass	47	5000	106	4900	104
		Class I, Div 1 Glass		4800	102	4700	100
		Polycarbonate		4800	102	4700	100
	180°	Tempered Glass		5000	106	4900	104
		Class I, Div 1 Glass		4800	106	4700	100
		Polycarbonate		4800	102	4700	100
4,100	Wide	Polycarbonate	55	4100	75	4000	73
4,000	360°	Tempered Glass	38	4000	105	3900	103
		Class I, Div 1 Glass		3800	101	3700	99
		Polycarbonate		3800	101	3700	99
	180°	Tempered Glass		4000	105	3900	103
		Class I, Div 1 Glass		3800	101	3700	99
		Polycarbonate		3800	101	3700	99
2,200	360°	Tempered Glass	21	2200	105	2200	105
		Class I, Div 1 Glass		2200	105	2200	105
		Polycarbonate		2200	105	2200	105
	180°	Tempered Glass		2200	105	2200	105
		Class I, Div 1 Glass		2200	105	2200	105
		Polycarbonate		2200	105	2200	105

All values typical unless otherwise stated (tolerance +/- 10%)
For lighting layouts, please find IES files at www.dialight.com

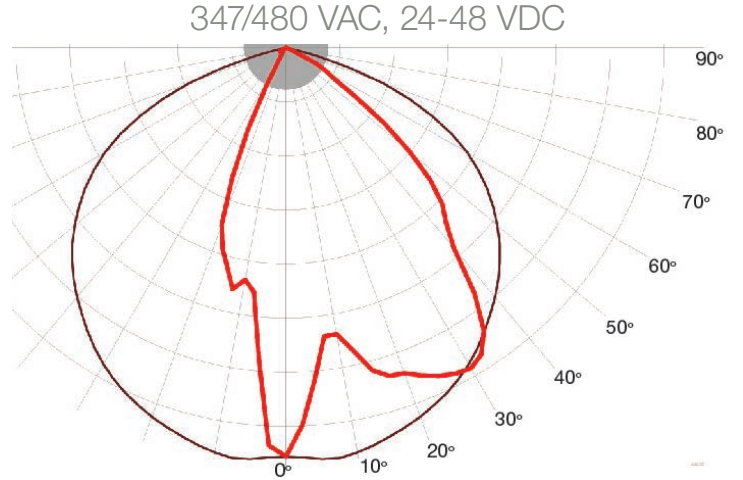
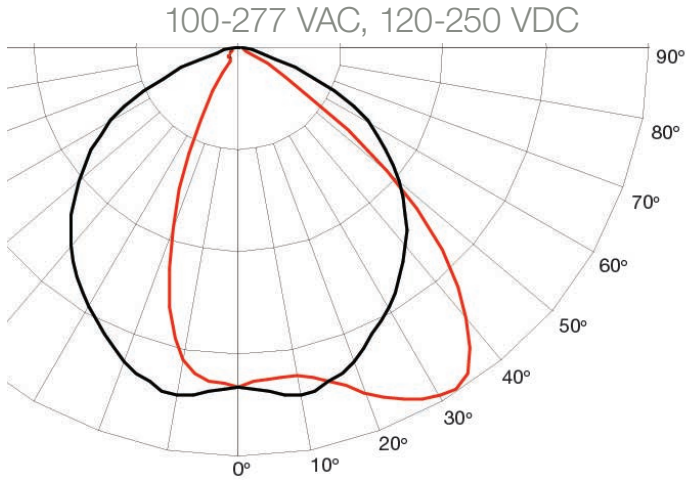
Measured LED temperature for an ambient temperature range of 25°C to 65°C and calculated lumen maintenance using TM-21 calculator and LED LM80 data.
Data in the above tables relates to 100 – 277 VAC, 120-250 VDC product. For information about 347/480 VAC, 24-48 VDC, Battery back-up products please visit www.dialight.com.

DISCLAIMER. All product information provided is, to the best of Dialight's knowledge, accurate as of the date of publication. When ordering, refer to www.dialight.com for current versions of: (a) relevant product documentation (including the relevant product data sheets); (b) Dialight terms and conditions of sale; and, (c) the relevant product warranty. To the extent that any contract is deemed formed between Dialight and the purchaser of Dialight products and/or an end-user, versions of documents available at www.dialight.com as at the date of sale shall be the versions incorporated therein. In the event of any discrepancy between this document or information provided at www.dialight.com, the latter shall prevail.

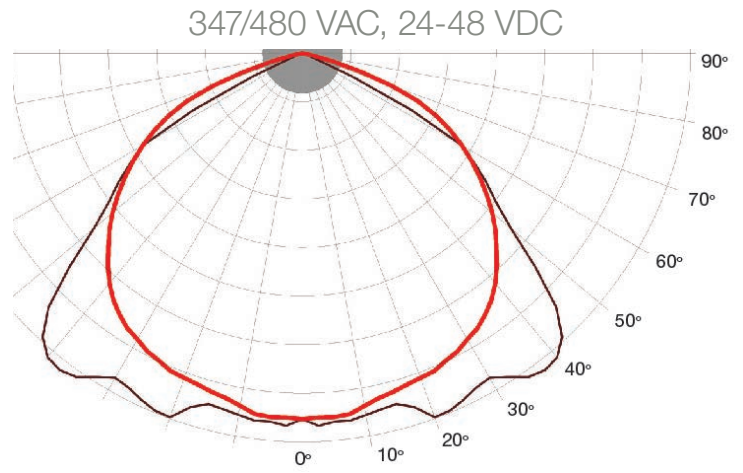
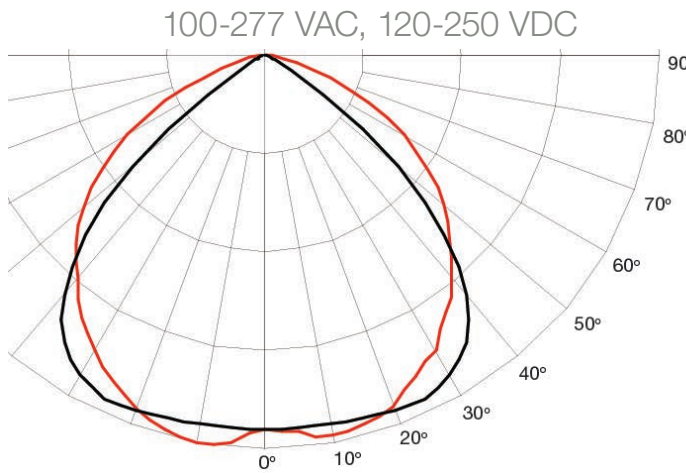
Beam Distribution

= 0°
 = 90°

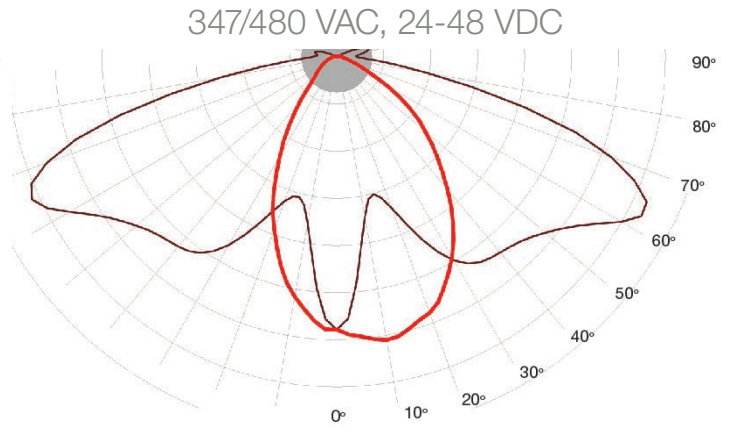
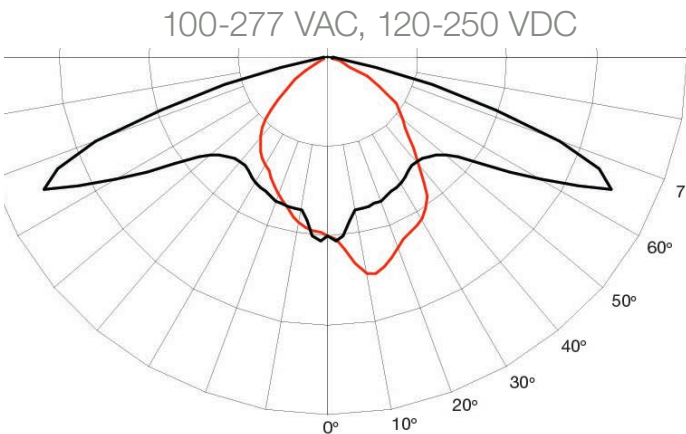
180° Beam Angle



360° Beam Angle



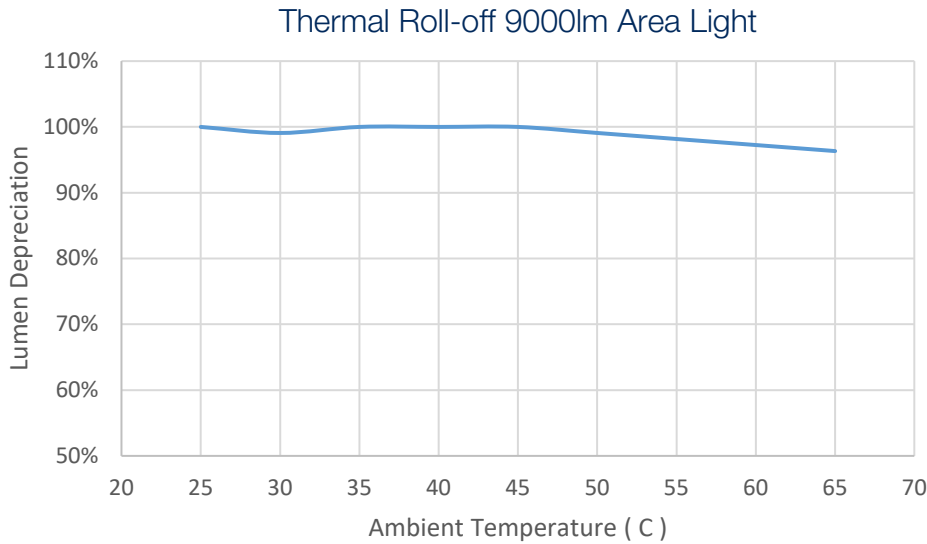
Wide Beam Angle



DISCLAIMER. All product information provided is, to the best of Dialight's knowledge, accurate as of the date of publication. When ordering, refer to www.dialight.com for current versions of: (a) relevant product documentation (including the relevant product data sheets); (b) Dialight terms and conditions of sale; and, (c) the relevant product warranty. To the extent that any contract is deemed formed between Dialight and the purchaser of Dialight products and/or an end-user, versions of documents available at www.dialight.com as at the date of sale shall be the versions incorporated therein. In the event of any discrepancy between this document or information provided at www.dialight.com, the latter shall prevail.

Thermal Roll-Off

Vigilant® & SafeSite® LED Area Light - 100-277 VAC, 120-250 VDC



Ambient Temperature (°C)	Lumen Degradation
25°	100%
30°	99%
35°	100%
40°	100%
45°	100%
50°	99%
55°	98%
60°	97%
65°	96%

All values typical unless otherwise stated (tolerance +/- 10%)

In Rush Current / Circuit Breakers

Vigilant® & SafeSite® LED Area Light - 100-277 VAC, 120-250 VDC

Model	Wattage	In rush current @ input voltage			Time duration of in rush current @ input voltage		
		120 VAC	230 VAC	277 VAC	120 VAC	230 VAC	277 VAC
9K	66	8A	15A	18A	1ms	1ms	1ms
7K	52	8A	15A	18A	1ms	1ms	1ms
7K Wide	64	8A	15A	18A	1ms	1ms	1ms
5.5K	40	8A	15A	18A	1ms	1ms	1ms
4K	30	8A	15A	18A	1ms	1ms	1ms
3K	24	8A	15A	18A	1ms	1ms	1ms

DISCLAIMER. All product information provided is, to the best of Dialight's knowledge, accurate as of the date of publication. When ordering, refer to www.dialight.com for current versions of: (a) relevant product documentation (including the relevant product data sheets); (b) Dialight terms and conditions of sale; and, (c) the relevant product warranty. To the extent that any contract is deemed formed between Dialight and the purchaser of Dialight products and/or an end-user, versions of documents available at www.dialight.com as at the date of sale shall be the versions incorporated therein. In the event of any discrepancy between this document or information provided at www.dialight.com, the latter shall prevail.

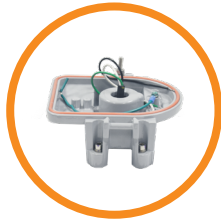
Mounting Options

Universal Mounting Adapter



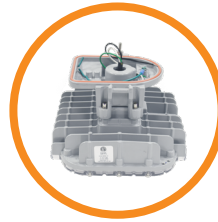
Area Light Base

+



HZXUMA

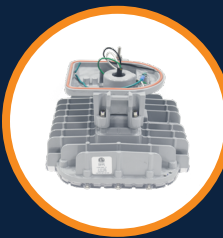
=



UMA Area Light

Our new Universal Mounting Adapter, now provides even greater flexibility by allowing you to modify stock you have on-hand to configure based on the needs of your customer without having to stock a lot of factory installed systems. All available in UL1598/A and UL844 Class I, Div. 2, Class II, and Class III certified options, as well as CSA and NOM certifications.

Area Lights with Universal Mounting Adapter & Brackets Sold Separately



UMA Area Light
ALx-xxxx-xxUx-xxN

+



Stanchion 45°
HZXS45



Wall 45°
HZXW45



Wall 0°
HZXW01



Conveyor
HZXC34



Ceiling
HZXFM

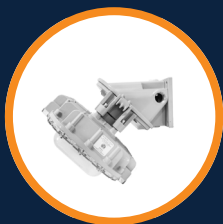


Stanchion 90°
HZXS90 / HZXT90

Area Lights with Purchased Brackets Factory Installed



Stanchion 45°



Wall 45°



Wall 0°



Conveyor



Ceiling



Stanchion 90°

DISCLAIMER. All product information provided is, to the best of Dialight's knowledge, accurate as of the date of publication. When ordering, refer to www.dialight.com for current versions of: (a) relevant product documentation (including the relevant product data sheets); (b) Dialight terms and conditions of sale; and, (c) the relevant product warranty. To the extent that any contract is deemed formed between Dialight and the purchaser of Dialight products and/or an end-user, versions of documents available at www.dialight.com as at the date of sale shall be the versions incorporated therein. In the event of any discrepancy between this document or information provided at www.dialight.com, the latter shall prevail.

Mounting Accessories



HZXSAFECBLS

- Safety cable kit



Certified to: UL 50E • CSA C22.2 No. 94.2-07

HZXSTAN100S

- 1.00" (1.315" Pole OD) Slip-fit stanchion mount

HZXSTAN125S

- 1.25" (1.660" Pole OD) Slip-fit stanchion mount

HZXSTAN150S

- 1.50" (1.900" Pole OD) Slip-fit stanchion mount

HZXSTAN200S

- 2.00" (2.375" Pole OD) Slip-fit stanchion mount



HZXSTAN100T

- 1.00" (1.315" Pole OD) NPT threaded stanchion mount

HZXSTAN125T

- 1.25" (1.660" Pole OD) NPT threaded stanchion mount

HZXSTAN150T

- 1.50" (1.900" Pole OD) NPT threaded stanchion mount

HZXSTAN200T

- 2.00" (2.375" Pole OD) NPT threaded stanchion mount



HZXW3

- 316 stainless steel bracket

HZXW7

- Aluminum bracket



HZXW4

- 316 stainless steel bracket with pipe clamp

HZXW8

- Aluminum bracket with pipe clamp



Certified to: UL 50E • CSA C22.2 No. 94.2-07

HZXJB075

- 0.75" Ceiling / Wall / Pole mount junction box

HZXJB100

- 1.00" Ceiling / Wall / Pole mount junction box

HZXJB125

- 1.25" Ceiling / Wall / Pole mount junction box

HZXJB150

- 1.50" Ceiling / Wall / Pole mount junction box



Certified to: UL 50E • UL 1203

ISA 12.12.01 • CSA C22.2 No. 94.2-07

HBXC1

- 0.75" NPT Ceiling mount

Mounting Options

Retro-fit Adapters



Area Lights with Retro-fit Adapters



Killark® Certilite® & Certilite® V
HZXTHKL



Appleton® Mercmaster III
HZXTHAP



Crouse-Hinds Champ®
HZXTHCH



Holophane® Petrolux II, III
HZXTHP3



Appleton® Mercmaster II
HZXTHM2



Thomas & Betts Hazlux®
HZXTHTB



GE Filtr-Gard™
HZXTHGE



GE Mini-Gard™
HZXTHMG

DISCLAIMER. All product information provided is, to the best of Dialight's knowledge, accurate as of the date of publication. When ordering, refer to www.dialight.com for current versions of: (a) relevant product documentation (including the relevant product data sheets); (b) Dialight terms and conditions of sale; and, (c) the relevant product warranty. To the extent that any contract is deemed formed between Dialight and the purchaser of Dialight products and/or an end-user, versions of documents available at www.dialight.com as at the date of sale shall be the versions incorporated therein. In the event of any discrepancy between this document or information provided at www.dialight.com, the latter shall prevail.

Retro-fit Options

Retro-fit adapters can be factory installed. See product ordering information for details.

- Eaton's Crouse-Hinds – Champ®
- GE Lighting Solutions – Filtr-Gard™
- GE Lighting Solutions – Mini-Gard™
- Holophane Petrolux® II, III
- Thomas & Betts Hazlux®
- Appleton® Mercmaster III
- Appleton® Mercmaster II
- Killark® Certilite® & Certilite® V



*Petrolux adapter available as a standalone accessory only



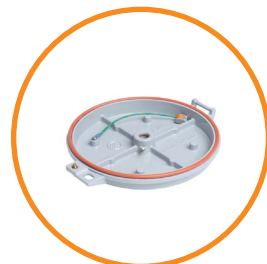
Eaton's Crouse-Hinds – Champ® - HZXTHCH				
Pendant	Ceiling	Wall	Stanchion	Quad Mount
APM2	CM2	TWM2	JM5	QM25
APM3	CM3	TWM3	PM5	
HPM2				



GE Lighting Solutions – Filtr-Gard™ - HZXTHGE				
Pendant	Ceiling	Wall	Stanchion	Quad Mount
3P	3F	3C	3W	5S
4P	4F		4W	6S
				5J, 6J



Holophane® Petrolux II, III - HZXTHP3				
Pendant	Universal	Stanchion	Ceiling	Wall
PD	UN	SA	CD	WL
GH		ST	CE	W
P		A	B, C, D	



GE Lighting Solutions – Mini-Gard™ - HZXTHMG			
Pendant	Ceiling	Stanchion	Wall
3P	3C	5S	3W
4P	4C	5J	4W
		6S	
		6J	

DISCLAIMER. All product information provided is, to the best of Dialight's knowledge, accurate as of the date of publication. When ordering, refer to www.dialight.com for current versions of: (a) relevant product documentation (including the relevant product data sheets); (b) Dialight terms and conditions of sale; and, (c) the relevant product warranty. To the extent that any contract is deemed formed between Dialight and the purchaser of Dialight products and/or an end-user, versions of documents available at www.dialight.com as at the date of sale shall be the versions incorporated therein. In the event of any discrepancy between this document or information provided at www.dialight.com, the latter shall prevail.

Retro-fit Options



Thomas & Betts Hazlux® - HZXTHTB				
Pendant	Pendant Cone	Flexible Pendant	Ceiling	Wall
VP2	VA2	VF2	VC2	VB2
VP3	VA3	VF3	VC3	VB3
Wall	25° Angle Stanchion	25° Angle Stanchion	Straight Stanchion	Straight Stanchion
VB2-VIB	VS4	VS4-VIB	VL4	VL4-VIB
VB3-VIB	VS5	VS5-VIB	VL5	VL5-VIB



Appleton® Mercmaster III - HZXTHAP			
Pendant	Ceiling	Wall	Stanchion
KPA-75, 100	KPC-75	KPWB-75	KPS-125
KPAF-75, 100	KPC-100	KPWB-100	KPS-150
KPCH-75, 100			KPST-125
			KPST-150



Appleton® Mercmaster II - HZXTHM2			
Pendant	Ceiling	Wall	Stanchion
LPA-75	LPC-75	LPWB-75	LPS-125
LPA-100	LPC-100	LPWB-100	LPS-150

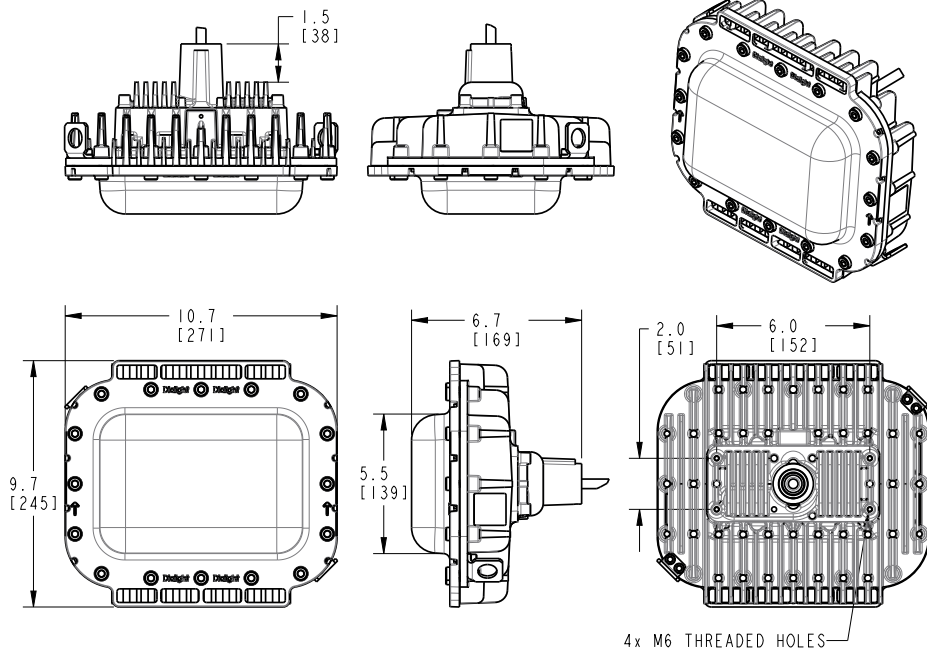


Killark® Certilite® & Certilite® V - HZXTHKL			
Pendant	Ceiling	Wall	Stanchion
VMA2B & VMA-2	VMX2B & VMX-2	VMB2B & VMB-2	VMD4B
VMA3B & VMA-3	VMX3B & VMX-3	VMB3B & VMB-3	VMD5B
VMC2B & VMC-2	VMX6B, 7B, 8B, 9B		VMS5B
VMC3B & VMC-3			
VMF2B, 3B			

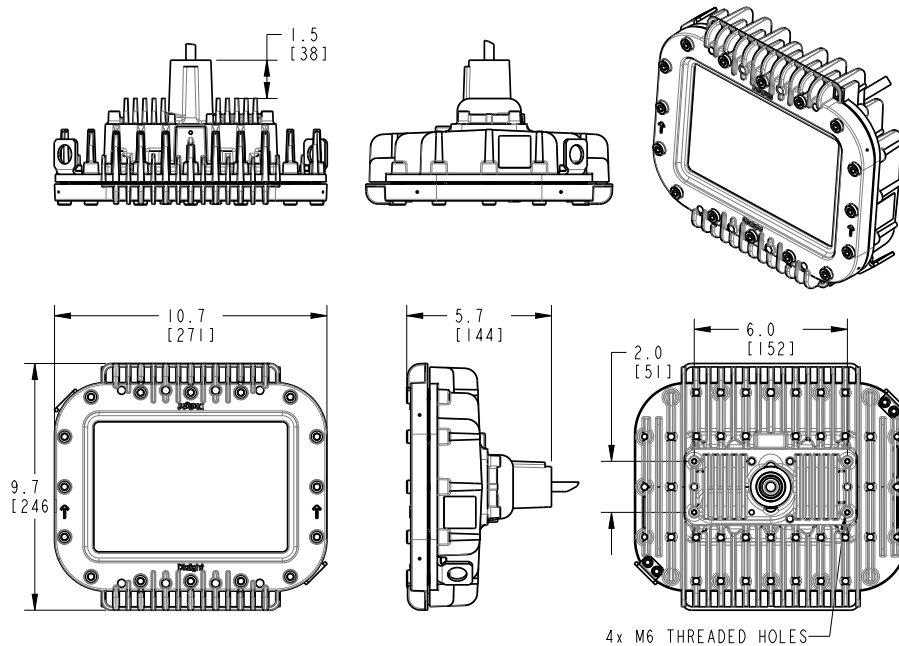
DISCLAIMER. All product information provided is, to the best of Dialight's knowledge, accurate as of the date of publication. When ordering, refer to www.dialight.com for current versions of: (a) relevant product documentation (including the relevant product data sheets); (b) Dialight terms and conditions of sale; and, (c) the relevant product warranty. To the extent that any contract is deemed formed between Dialight and the purchaser of Dialight products and/or an end-user, versions of documents available at www.dialight.com as at the date of sale shall be the versions incorporated therein. In the event of any discrepancy between this document or information provided at www.dialight.com, the latter shall prevail.

Dimensional Drawings - Area Light

Polycarbonate Lens



Tempered Glass Lens

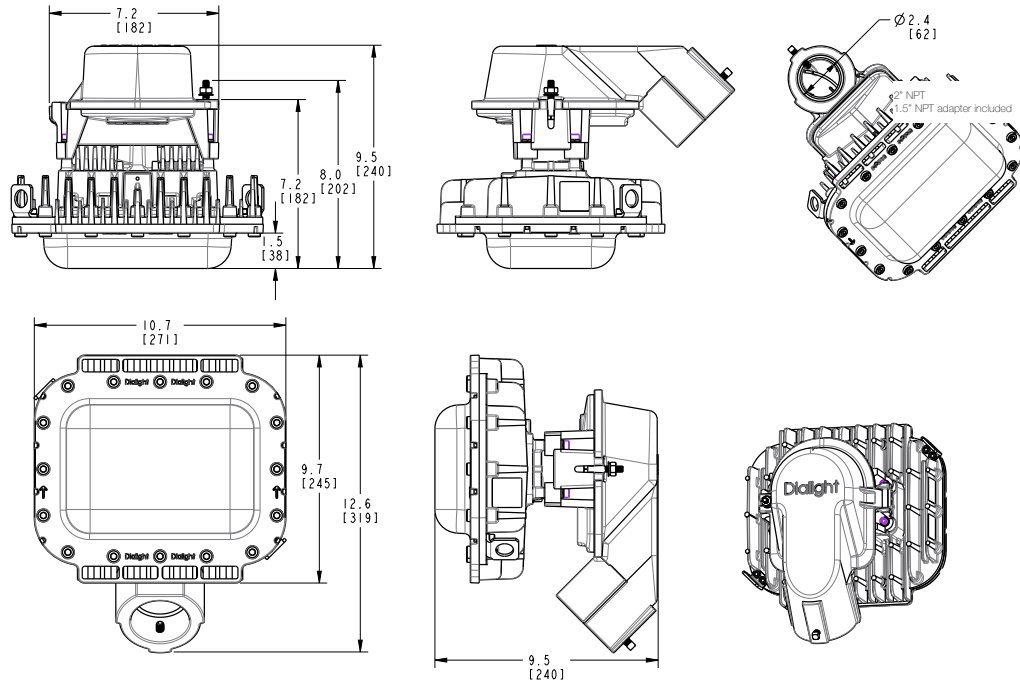


Dimensions in inches [mm]

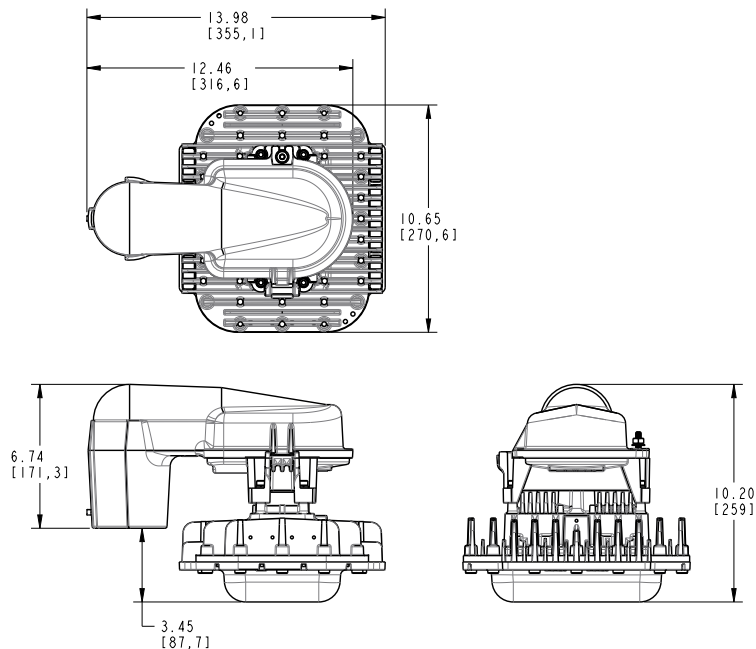
DISCLAIMER. All product information provided is, to the best of Dialight's knowledge, accurate as of the date of publication. When ordering, refer to www.dialight.com for current versions of: (a) relevant product documentation (including the relevant product data sheets); (b) Dialight terms and conditions of sale; and, (c) the relevant product warranty. To the extent that any contract is deemed formed between Dialight and the purchaser of Dialight products and/or an end-user, versions of documents available at www.dialight.com as at the date of sale shall be the versions incorporated therein. In the event of any discrepancy between this document or information provided at www.dialight.com, the latter shall prevail.

Dimensional Drawings - Universal Mounting Adapter

45° Stanchion Mount



90° Stanchion Mount

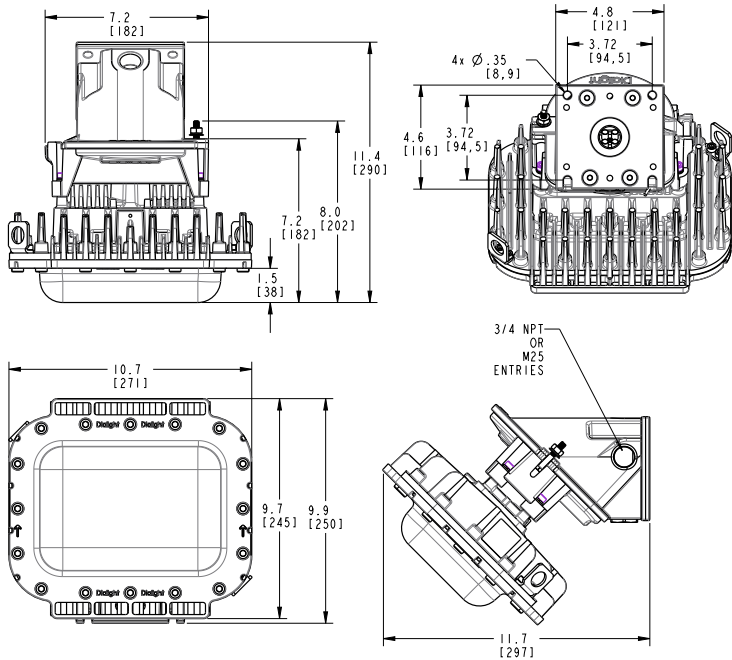


Dimensions in inches [mm]

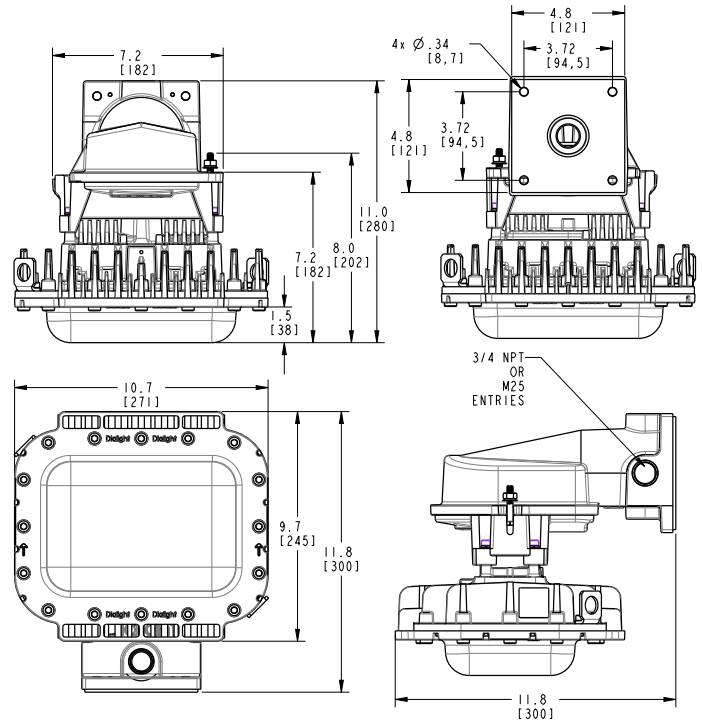
DISCLAIMER. All product information provided is, to the best of Dialight's knowledge, accurate as of the date of publication. When ordering, refer to www.dialight.com for current versions of: (a) relevant product documentation (including the relevant product data sheets); (b) Dialight terms and conditions of sale; and, (c) the relevant product warranty. To the extent that any contract is deemed formed between Dialight and the purchaser of Dialight products and/or an end-user, versions of documents available at www.dialight.com as at the date of sale shall be the versions incorporated therein. In the event of any discrepancy between this document or information provided at www.dialight.com, the latter shall prevail.

Dimensional Drawings - Universal Mounting Adapters

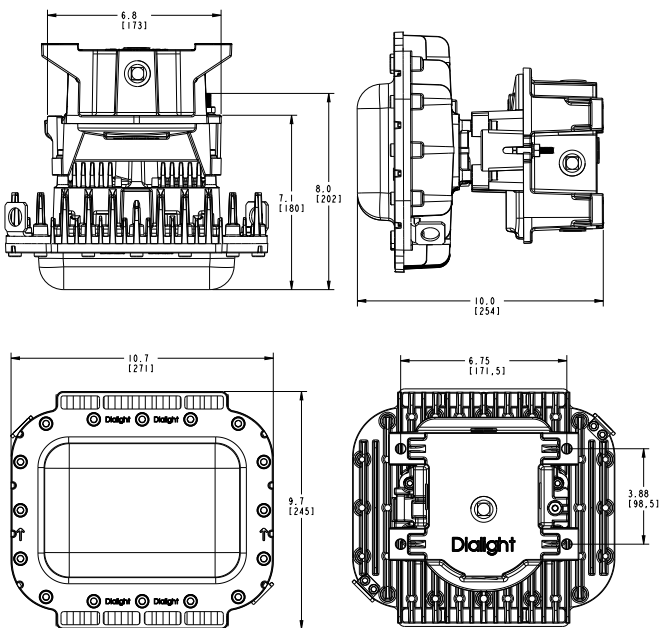
45° Wall Mount



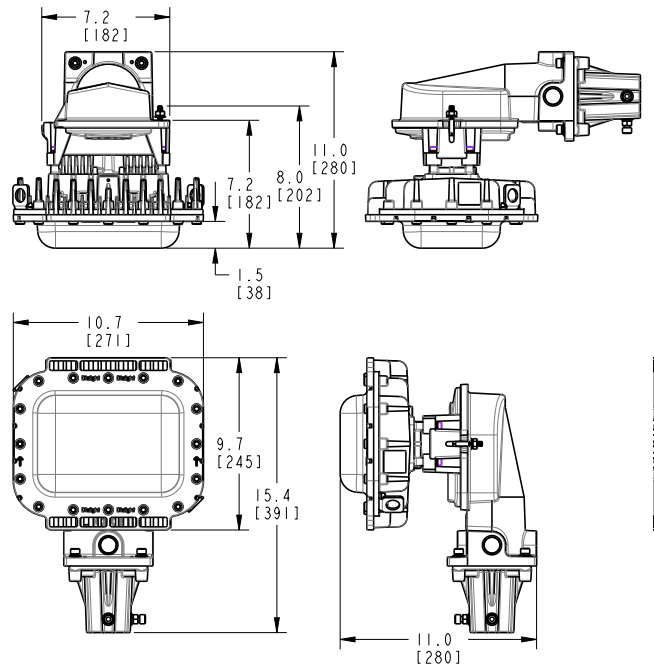
Wall Mount



Ceiling Mount



Conveyor Mount

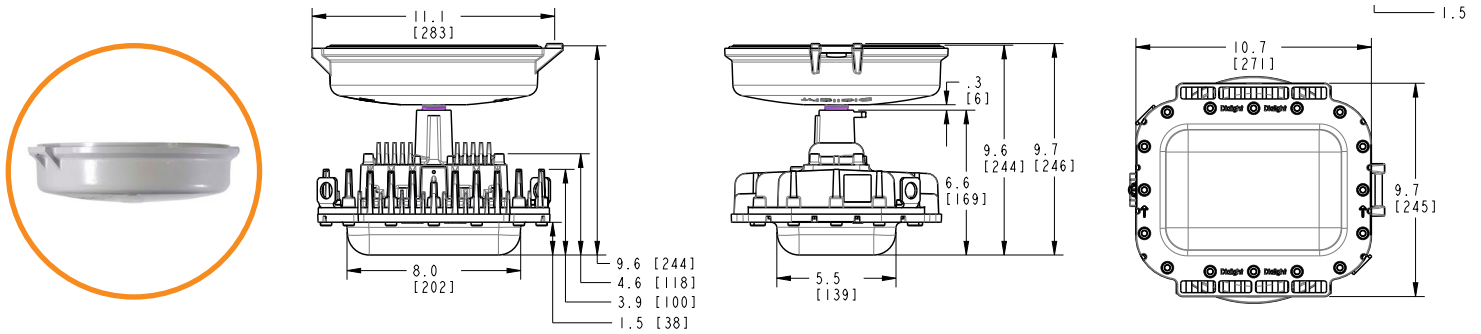


Dimensions in inches [mm]

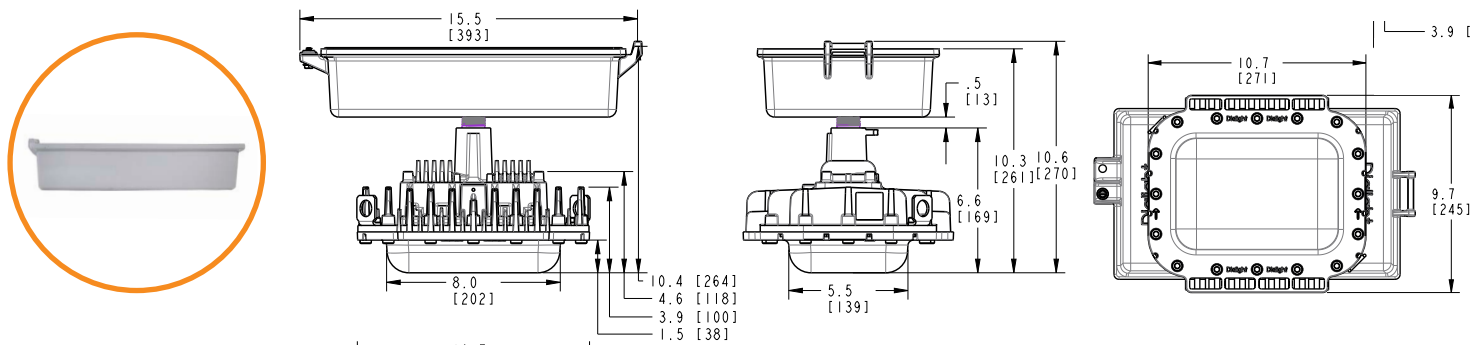
DISCLAIMER. All product information provided is, to the best of Dialight's knowledge, accurate as of the date of publication. When ordering, refer to www.dialight.com for current versions of: (a) relevant product documentation (including the relevant product data sheets); (b) Dialight terms and conditions of sale; and, (c) the relevant product warranty. To the extent that any contract is deemed formed between Dialight and the purchaser of Dialight products and/or an end-user, versions of documents available at www.dialight.com as at the date of sale shall be the versions incorporated therein. In the event of any discrepancy between this document or information provided at www.dialight.com, the latter shall prevail.

Dimensional Drawings - Retro-fit Kits

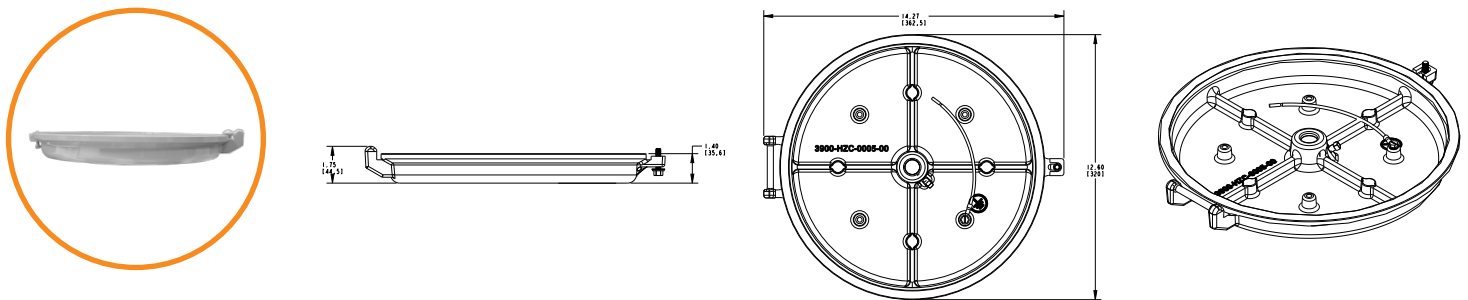
Eaton's Crouse-Hinds – Champ® - HZXTHCH



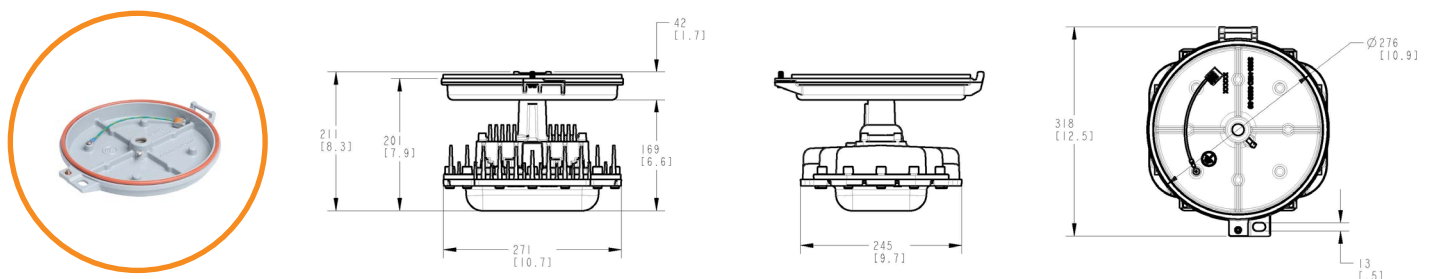
GE Lighting Solutions – Filtr-Gard™ - HZXTHGE



Holophane® Petrolux II, III - HZXTHP3



GE Lighting Solutions – Mini-Gard™ - HZXTHMG

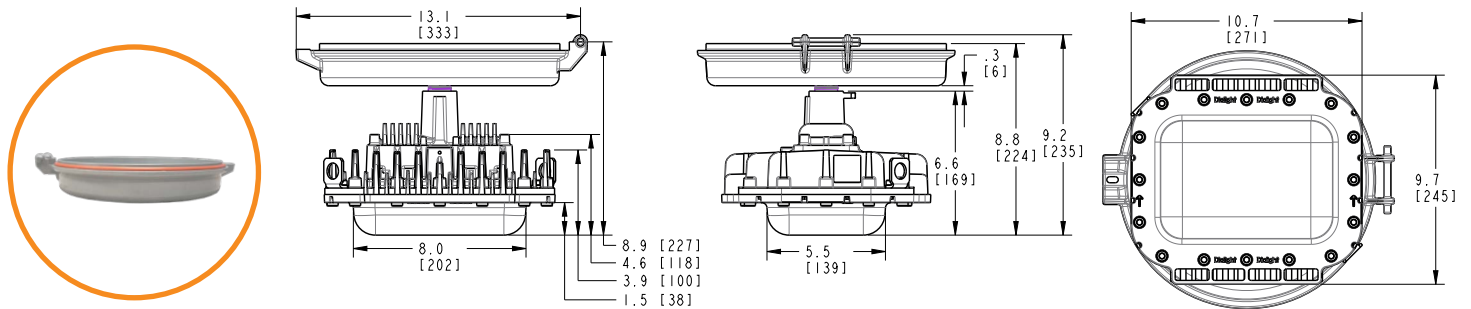


Dimensions in inches [mm]

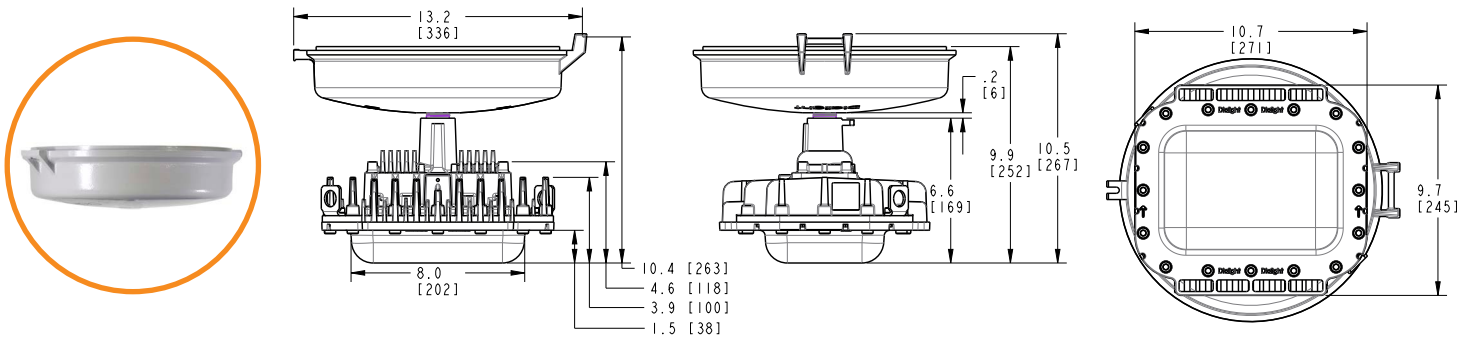
DISCLAIMER. All product information provided is, to the best of Dialight's knowledge, accurate as of the date of publication. When ordering, refer to www.dialight.com for current versions of: (a) relevant product documentation (including the relevant product data sheets); (b) Dialight terms and conditions of sale; and, (c) the relevant product warranty. To the extent that any contract is deemed formed between Dialight and the purchaser of Dialight products and/or an end-user, versions of documents available at www.dialight.com as at the date of sale shall be the versions incorporated therein. In the event of any discrepancy between this document or information provided at www.dialight.com, the latter shall prevail.

Dimensional Drawings - Retro-fit Kits

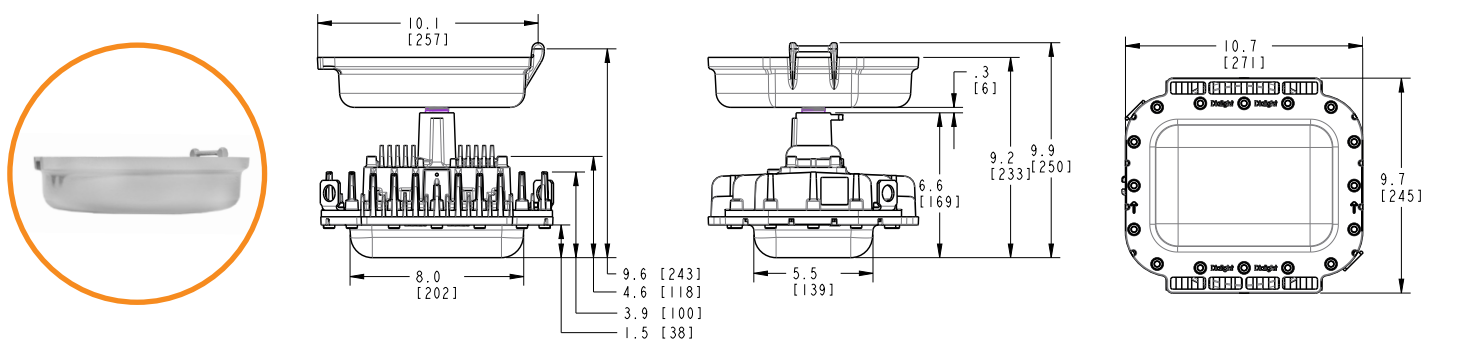
Thomas & Betts Hazlux® - HZXTHTB



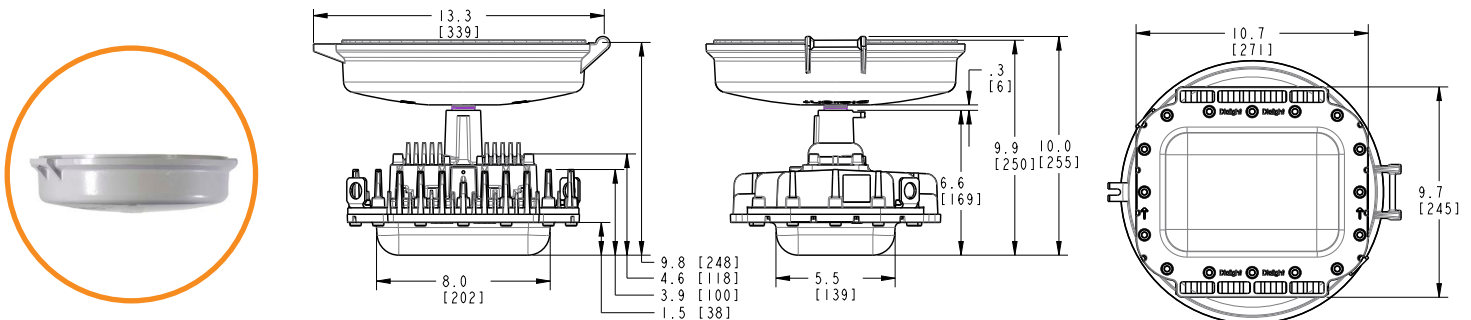
Appleton® Mercmaster III - HZXTHAP



Appleton® Mercmaster II - HZXTHM2



Killark® Certilite® & Certilite® V - HZXTHKL

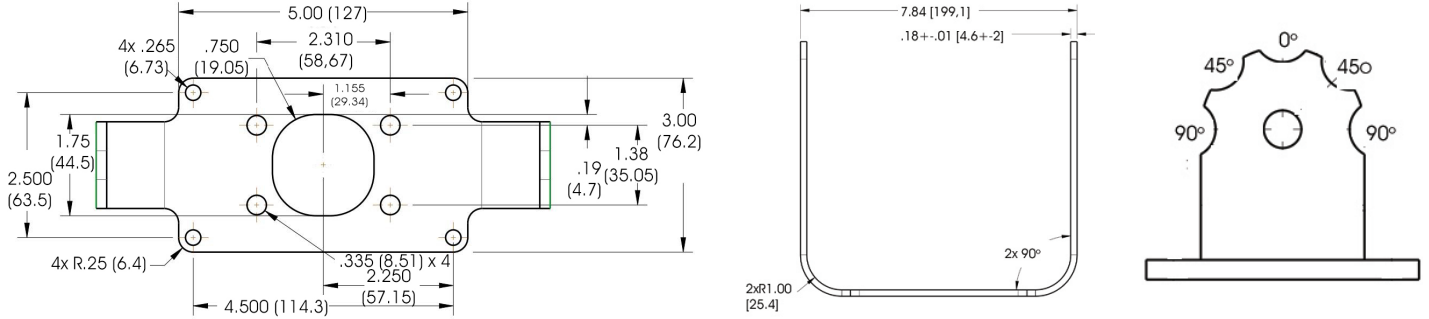


DISCLAIMER. All product information provided is, to the best of Dialight's knowledge, accurate as of the date of publication. When ordering, refer to www.dialight.com for current versions of: (a) relevant product documentation (including the relevant product data sheets); (b) Dialight terms and conditions of sale; and, (c) the relevant product warranty. To the extent that any contract is deemed formed between Dialight and the purchaser of Dialight products and/or an end-user, versions of documents available at www.dialight.com as at the date of sale shall be the versions incorporated therein. In the event of any discrepancy between this document or information provided at www.dialight.com, the latter shall prevail.

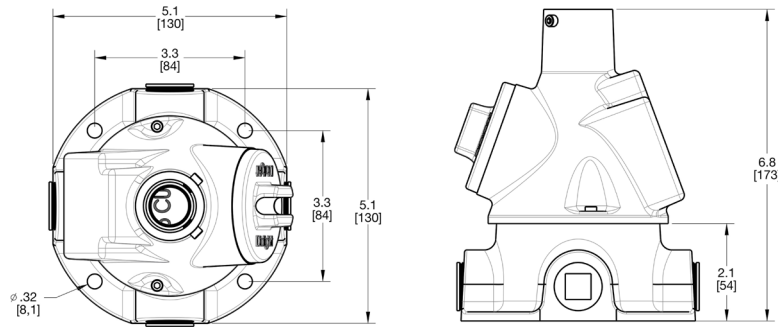
Dimensional Drawings - Accessories

HZXW3, HZXW4, HZXW7, AND HZXW8

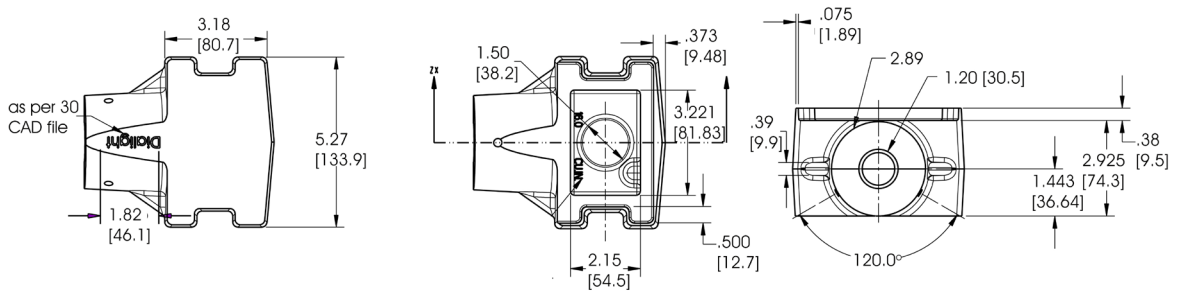
.25" thick; HZXW4 and HZXW8 will mount to 1.5" conduit and comes with pipe mount clamps.



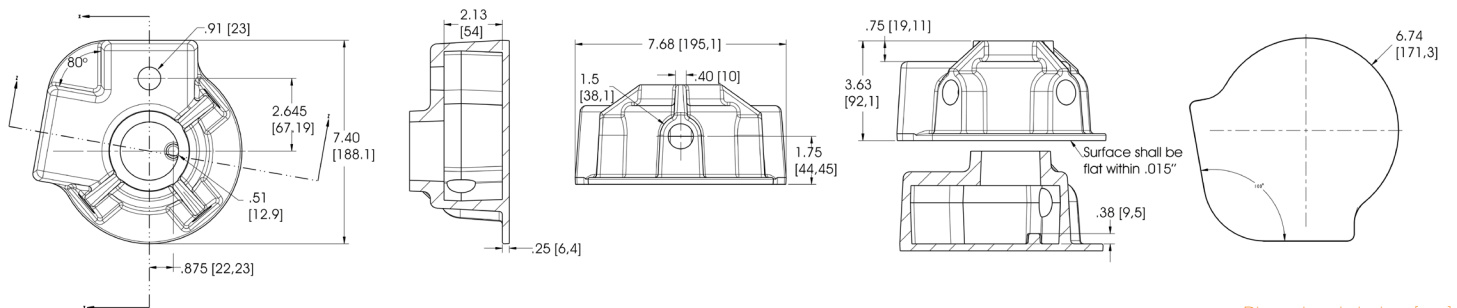
HEXC1



HZXSTANXXXX



HZXJBXXXX



Dimensions in inches [mm]

DISCLAIMER. All product information provided is, to the best of Dialight's knowledge, accurate as of the date of publication. When ordering, refer to www.dialight.com for current versions of: (a) relevant product documentation (including the relevant product data sheets); (b) Dialight terms and conditions of sale; and, (c) the relevant product warranty. To the extent that any contract is deemed formed between Dialight and the purchaser of Dialight products and/or an end-user, versions of documents available at www.dialight.com as at the date of sale shall be the versions incorporated therein. In the event of any discrepancy between this document or information provided at www.dialight.com, the latter shall prevail.

North American HQ

1501 Route 34 South
Farmingdale, NJ 07727
Tel: 732-919-3119
Fax: 732-751-5778
info@dialight.com

EMEA Technical Centre

Ejby Industrivej 91 B
2600 Glostrup
Tel: +45 8877 4545 (Denmark)
Tel: +44 1638 666541 (UK)
Tel: +49 89 12089 5713 (Germany)
Tel: +33 3 23 22 62 58 (France)
sales-europe@dialight.com

Middle East

205, Clover Bay Tower,
Al Abraj Street, Business Bay
P.O. Box 123997 Dubai, U.A.E.
Tel: +971 (4) 818 31 56

Australia

108 Howe Street
Osborne Park, WA 6017
Tel: +61 (0) 8 9244 7600
Fax: +61 (0) 8 9244 7601
info@dialight.com.au

Southeast Asia

33 Ubi Avenue 3
#07-72 Vertex (Tower A)
Singapore 408868
Tel: +65 6578 7157
Fax: +65 6578 7150
enquiry@dialight.com.sg

Brazil

Alameda Mercurio,
225 – American Park Empresarial NR
Indaiatuba – SP – 13347– 662
Tel: +55 (19) 3113-4300
Fax: +55 (19) 3113-4300
brasil@dialight.com

WARNING / DISCLAIMERS:

Installation & secondary retention. The use of this product without proper installation (including secondary retention / netting) and periodic inspections, could cause severe injury or death. Dialight recommends that all installations should use secondary retention / netting (appropriate to the installation environment) as applicable. Dialight products are intended for ultimate purchase, installation and operation by knowledgeable persons trained in the functional assessment, installation, use and maintenance of such products and all customers (including but not limited to end customers) are responsible for assessing the suitability of Dialight products for any given installation requirement. It is the exclusive responsibility of the contractor, installer and/or end-user to: (a) determine the suitability of the product for its intended application; and, (b) ensure that the product is safely installed (with secondary retention / netting as appropriate) and in compliance with all applicable laws and regulations.

Product specifications & warranties. All product information provided is, to the best of Dialight's knowledge, accurate as of the date of publication. All values and performance data herein are design or typical values when measured under laboratory conditions. The information herein is subject to change without notice. The products / software detailed herein are subject to applicable warranties and terms and conditions of use/purchase. Unless agreed otherwise in writing by an authorized representative of Dialight, Dialight does not represent that its products are fit for any particular purpose and accepts no liability for the installation and/or unauthorised use of its products. When ordering, refer to www.dialight.com for current versions of: (a) relevant product documentation (including relevant product data sheets); (b) Dialight terms and conditions of sale; and, (c) the relevant product warranties. To the extent that any contract is deemed formed between Dialight and the purchaser of Dialight products and/or an end-user, versions of documents available at www.dialight.com as at the date of sale shall be the versions incorporated therein. In the event of any discrepancy between this document and information provided at www.dialight.com, the latter shall prevail.

Exclusion of liability. To the extent permissible under the relevant law, Dialight disclaims all liability for personal injury and/or other damage resulting from any dislodgment or other dislocation of its products. Whilst Dialight has used its reasonable endeavours to ensure the completeness and accuracy of information herein, Dialight does not assume any liability for damages resulting from use of this information or for any third-party representations made in relation to Dialight products.



ProSite LED Floodlight

Technical Specification Sheet - Americas

ProSite LED Floodlight - UL / CSA F1 Models

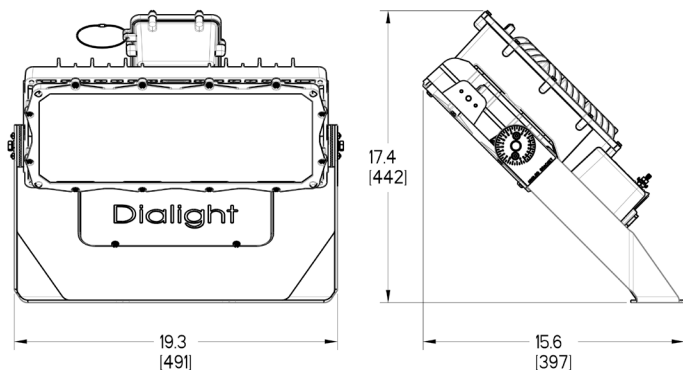


Patent Pending

Certifications & Ratings

- 10 year warranty
- UL 1598/A / CSA C22.2 No. 250.0 / NOM
- UL 844 / CSA C22.2 No. 137
 - Class I, Division 2 (Groups A, B, C, D)
 - Class I, Zone 2 (Groups IIC)
 - Class II, Division 1 (Groups E, F, G) - up to 18k lumen models
 - Class II, Division 2 (Groups F, G)
 - Zone 20, 21 & 22
 - Class III
- IP66/67, NEMA 4X
- ABS
- IK10 (integrated PC optic/lens/lens cover), IK08 (glass lens cover)
- L70 > 150,000 hours @ 25°C ambient
- DLC/DLC Premium - selected models

Angled Bracket



Dimensions in inches [mm]
Additional dimensional drawings on pages 15-16

WARNING - INSTALLATION & SECONDARY RETENTION. Use of any Dialight products without proper installation (including secondary retention / netting) and periodic inspections could cause severe injury or death. Dialight recommends that all installations should use secondary retention / netting (appropriate to the installation environment) where applicable. It is the exclusive responsibility of the contractor, installer and/or end-user to: (a) determine the suitability of the product for its intended application; and, (b) ensure that the product is safely installed (with secondary retention / netting where appropriate) and in compliance with all applicable laws and regulations. To the extent permissible under applicable laws, Dialight disclaims all liability for personal injury and/or other damage resulting from any dislodgment or other dislocation of its products.

Mechanical Information:

Fixture weight:	24 - 30 lbs
Shipping weight:	~32 lbs
EPA (sq. ft):	2.00
Mounting: (all with 7.5° tilting increments)	316 stainless steel straight bracket 316 stainless steel angled bracket Slipfitter bracket
Cable entry:	2 x 3/4" NPT

Electrical Specifications:

Operating voltage:	120-277VAC / 120-250VDC 347-480 VAC
Operating temp:	-40°F to +149°F (-40°C to +65°C)
EMC:	CISPR 15 FCC 47CFR 15 IEC 61000-3-3 IEC 61547 IEC 61000-3-2
Transient protection:	6KV/3KA combination wave, as per IEEE C62.41, line-line and line-ground. Optional: 10kV/5kA for non-hazardous models
THD:	< 20%
Power Factor:	> 0.9
Dimming:	Wireless dimming controls via Dialight IntelliLED (optional), DALI 2.0 compatible/ 0-10 VDC (standard)

Construction:

Housing:	A360 Die-cast aluminum
Hardware:	316 stainless steel
Finish:	Superior epoxy and polyester dual coat finish
Lens:	Integrated PC Optic/Lens, Glass Lens Cover, PC Lens Cover

Photometric Information:

CRI:	70 (80 optional)
CCT:	5000K (cool white) 4000K (neutral white) 2700K (warm white) - 80 CRI
Beam pattern:	NEMA 4 NEMA 6 NEMA 7x6 Asymmetric
IES files:	Available at www.dialight.com

All values typical unless otherwise stated (tolerance +/- 10%)

Temperature Ratings

Ambient Temperature T-Code: T4	Ambient Temperature T-Code: T4A
-40°F to +149°F (-40°C to +65°C)	-40°F to +131°F (-40°C to +55°C)

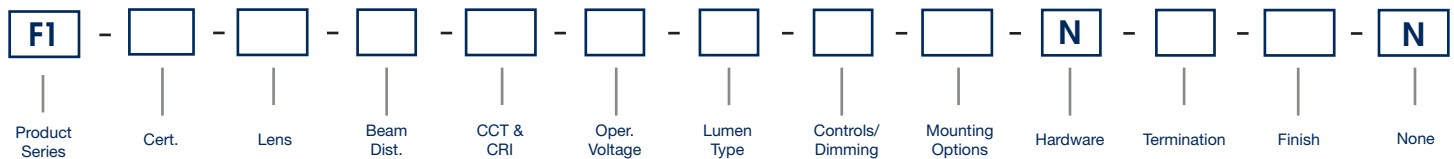
ProSite LED Floodlight - UL / CSA F1 Models



Project Information	
Part Number:	
Project:	
Fixture Type:	Date:

Specifications

Ordering Information



Product Series
F1 ProSite Floodlight F1 Model

Certification
D UL 844 CID2, CID2, CIII
F UL 844 CIID1, CID2, CID2, CIII (up to 18k lm models)
U UL 1598/A / CSA

Lens
N Integrated PC Optic/Lens Only
4 PC Lens Cover
7 Glass Lens Cover

Beam Distribution
4 NEMA 4
6 NEMA 6
7 NEMA 7x6
F Asymmetric*

*For Asymmetric beam distribution either a PC or Glass lens cover must be included

CCT & CRI
B Cool White 5000K - 70 CRI
L Neutral White 4000K - 70 CRI
W Warm White 2700K - 80 CRI
*Amber options available

Operating Voltage
2 120-277VAC / 120-250VDC
5 347-480 VAC
8 120-277VAC / 120-250VDC 10kV surge (non-hazardous only)
9 347-480 VAC 10kV surge (non-hazardous only)

Lumen Type
B 12,000 Lumens
C 18,000 Lumens
E 24,000 Lumens
F 30,000 Lumens

Controls/Dimming
D 0-10V / DALI
J Dialight IntelliLED Wireless Controls 2.4GHz
S Receptacle with Shorting Cap (non-hazardous only)

Mounting Options
E 316 SS Angled Bracket
F 316 SS Straight Bracket
S Slipfitter (1-1/4" - 2-3/8" OD)*
*For Slipfitter mounting UL844 models are only rated up to CID2 (A, B, C & D)

Hardware
N No Option

Termination
U 6mm² Terminal Block - Screw Down*
V 4mm² Terminal Block - Push Down
*The 6mm² terminals are only for the incoming power connections. The 6mm² terminals are single pole and cannot be used for 'through' wiring. The 6mm² terminals are not available for 347-480V models.

Finish
G Gray (RAL 7040)
Z Bronze (RAL 7022)

None
N No Options

WARNING - INSTALLATION & SECONDARY RETENTION. Use of any Dialight products without proper installation (including secondary retention / netting) and periodic inspections could cause severe injury or death. Dialight recommends that all installations should use secondary retention / netting (appropriate to the installation environment) where applicable. It is the exclusive responsibility of the contractor, installer and/or end-user to: (a) determine the suitability of the product for its intended application; and, (b) ensure that the product is safely installed (with secondary retention / netting where appropriate) and in compliance with all applicable laws and regulations. To the extent permissible under applicable laws, Dialight disclaims all liability for personal injury and/or other damage resulting from any dislodgment or other dislocation of its products.

Ordering Information

ProSite LED Floodlight - UL / CSA



Industrial - UL 1598 / CSA							
Part Number	Fixture Lumens	Wattage	lm/W	Voltage	CCT	Lens	Beam Distribution
12,000lm Models							
F1U-N7B2-BDEN-VGN	13,200	81	163	120-277VAC / 120-250VDC	5000k (cool white)	Integrated PC	NEMA 7x6
F1U-N6B2-BDEN-VGN	13,200	81	163	120-277VAC / 120-250VDC	5000k (cool white)	Integrated PC	NEMA 6
F1U-N4B2-BDEN-VGN	13,200	81	163	120-277VAC / 120-250VDC	5000k (cool white)	Integrated PC	NEMA 4
F1U-N7B5-BDEN-VGN	13,200	84	158	347-480VAC	5000k (cool white)	Integrated PC	NEMA 7x6
F1U-N6B5-BDEN-VGN	13,200	84	158	347-480VAC	5000k (cool white)	Integrated PC	NEMA 6
F1U-N4B5-BDEN-VGN	13,200	84	158	347-480VAC	5000k (cool white)	Integrated PC	NEMA 4
18,000lm Models							
F1U-N7B2-CDEN-VGN	19,100	124	154	120-277VAC / 120-250VDC	5000k (cool white)	Integrated PC	NEMA 7x6
F1U-N6B2-CDEN-VGN	19,100	124	154	120-277VAC / 120-250VDC	5000k (cool white)	Integrated PC	NEMA 6
F1U-N4B2-CDEN-VGN	19,100	124	154	120-277VAC / 120-250VDC	5000k (cool white)	Integrated PC	NEMA 4
F1U-N7B5-CDEN-VGN	19,100	128	149	347-480VAC	5000k (cool white)	Integrated PC	NEMA 7x6
F1U-N6B5-CDEN-VGN	19,100	128	149	347-480VAC	5000k (cool white)	Integrated PC	NEMA 6
F1U-N4B5-CDEN-VGN	19,100	128	149	347-480VAC	5000k (cool white)	Integrated PC	NEMA 4
24,000lm Models							
F1U-N7B2-EDEN-VGN	25,000	175	143	120-277VAC / 120-250VDC	5000k (cool white)	Integrated PC	NEMA 7x6
F1U-N6B2-EDEN-VGN	25,000	175	143	120-277VAC / 120-250VDC	5000k (cool white)	Integrated PC	NEMA 6
F1U-N4B2-EDEN-VGN	25,000	175	143	120-277VAC / 120-250VDC	5000k (cool white)	Integrated PC	NEMA 4
F1U-N7B5-EDEN-VGN	25,000	179	140	347-480VAC	5000k (cool white)	Integrated PC	NEMA 7x6
F1U-N6B5-EDEN-VGN	25,000	179	140	347-480VAC	5000k (cool white)	Integrated PC	NEMA 6
F1U-N4B5-EDEN-VGN	25,000	179	140	347-480VAC	5000k (cool white)	Integrated PC	NEMA 4
30,000lm Models							
F1U-N7B2-FDEN-VGN	31,600	234	135	120-277VAC / 120-250VDC	5000k (cool white)	Integrated PC	NEMA 7x6
F1U-N6B2-FDEN-VGN	31,600	234	135	120-277VAC / 120-250VDC	5000k (cool white)	Integrated PC	NEMA 6
F1U-N4B2-FDEN-VGN	31,600	234	135	120-277VAC / 120-250VDC	5000k (cool white)	Integrated PC	NEMA 4
F1U-N7B5-FDEN-VGN	31,600	237	133	347-480VAC	5000k (cool white)	Integrated PC	NEMA 7x6
F1U-N6B5-FDEN-VGN	31,600	237	133	347-480VAC	5000k (cool white)	Integrated PC	NEMA 6
F1U-N4B5-FDEN-VGN	31,600	237	133	347-480VAC	5000k (cool white)	Integrated PC	NEMA 4

All values typical unless otherwise stated (tolerance +/- 10%).
 See ordering information chart for additional options.
 Part numbers listed in **bold** are typically available in stock.
 Mounting Bracket - Angled Bracket supplied as standard.

DISCLAIMER. All product information provided is, to the best of Dialight's knowledge, accurate as of the date of publication. When ordering, refer to www.dialight.com for current versions of: (a) relevant product documentation (including the relevant product data sheets); (b) Dialight terms and conditions of sale; and, (c) the relevant product warranty. To the extent that any contract is deemed formed between Dialight and the purchaser of Dialight products and/or an end-user, versions of documents available at www.dialight.com as at the date of sale shall be the versions incorporated therein. In the event of any discrepancy between this document or information provided at www.dialight.com, the latter shall prevail.



Ordering Information

ProSite LED Floodlight - UL / CSA

Hazardous - UL844 CID2, CIID2, CIII							
Part Number	Fixture Lumens	Wattage	lm/W	Voltage	CCT	Lens	Beam Distribution
12,000lm Models							
F1D-77B2-BDEN-VGN	12,500	81	154	120-277VAC / 120-250VDC	5000k (cool white)	Glass	NEMA 7x6
F1D-76B2-BDEN-VGN	12,500	81	154	120-277VAC / 120-250VDC	5000k (cool white)	Glass	NEMA 6
F1D-74B2-BDEN-VGN	12,500	81	154	120-277VAC / 120-250VDC	5000k (cool white)	Glass	NEMA 4
F1D-77B5-BDEN-VGN	12,500	84	150	347-480VAC	5000k (cool white)	Glass	NEMA 7x6
F1D-76B5-BDEN-VGN	12,500	84	150	347-480VAC	5000k (cool white)	Glass	NEMA 6
F1D-74B5-BDEN-VGN	12,500	84	150	347-480VAC	5000k (cool white)	Glass	NEMA 4
18,000lm Models							
F1D-77B2-CDEN-VGN	18,000	124	145	120-277VAC / 120-250VDC	5000k (cool white)	Glass	NEMA 7x6
F1D-76B2-CDEN-VGN	18,000	124	145	120-277VAC / 120-250VDC	5000k (cool white)	Glass	NEMA 6
F1D-74B2-CDEN-VGN	18,000	124	145	120-277VAC / 120-250VDC	5000k (cool white)	Glass	NEMA 4
F1D-77B5-CDEN-VGN	18,000	128	141	347-480VAC	5000k (cool white)	Glass	NEMA 7x6
F1D-76B5-CDEN-VGN	18,000	128	141	347-480VAC	5000k (cool white)	Glass	NEMA 6
F1D-74B5-CDEN-VGN	18,000	128	141	347-480VAC	5000k (cool white)	Glass	NEMA 4
24,000lm Models							
F1D-77B2-EDEN-VGN	23,600	175	135	120-277VAC / 120-250VDC	5000k (cool white)	Glass	NEMA 7x6
F1D-76B2-EDEN-VGN	23,600	175	135	120-277VAC / 120-250VDC	5000k (cool white)	Glass	NEMA 6
F1D-74B2-EDEN-VGN	23,600	175	135	120-277VAC / 120-250VDC	5000k (cool white)	Glass	NEMA 4
F1D-77B5-EDEN-VGN	23,600	179	132	347-480VAC	5000k (cool white)	Glass	NEMA 7x6
F1D-76B5-EDEN-VGN	23,600	179	132	347-480VAC	5000k (cool white)	Glass	NEMA 6
F1D-74B5-EDEN-VGN	23,600	179	132	347-480VAC	5000k (cool white)	Glass	NEMA 4
30,000lm Models							
F1D-77B2-FDEN-VGN	29,900	234	128	120-277VAC / 120-250VDC	5000k (cool white)	Glass	NEMA 7x6
F1D-76B2-FDEN-VGN	29,900	234	128	120-277VAC / 120-250VDC	5000k (cool white)	Glass	NEMA 6
F1D-74B2-FDEN-VGN	29,900	234	128	120-277VAC / 120-250VDC	5000k (cool white)	Glass	NEMA 4
F1D-77B5-FDEN-VGN	29,900	237	126	347-480VAC	5000k (cool white)	Glass	NEMA 7x6
F1D-76B5-FDEN-VGN	29,900	237	126	347-480VAC	5000k (cool white)	Glass	NEMA 6
F1D-74B5-FDEN-VGN	29,900	237	126	347-480VAC	5000k (cool white)	Glass	NEMA 4
Hazardous - UL844 CIID1							
12,000lm Models							
F1F-77B2-BDEN-VGN	12,500	81	154	120-277VAC / 120-250VDC	5000k (cool white)	Glass	NEMA 7x6
F1F-76B2-BDEN-VGN	12,500	81	154	120-277VAC / 120-250VDC	5000k (cool white)	Glass	NEMA 6
F1F-74B2-BDEN-VGN	12,500	81	154	120-277VAC / 120-250VDC	5000k (cool white)	Glass	NEMA 4
F1F-77B5-BDEN-VGN	12,500	84	150	347-480VAC	5000k (cool white)	Glass	NEMA 7x6
F1F-76B5-BDEN-VGN	12,500	84	150	347-480VAC	5000k (cool white)	Glass	NEMA 6
F1F-74B5-BDEN-VGN	12,500	84	150	347-480VAC	5000k (cool white)	Glass	NEMA 4
18,000lm Models							
F1F-77B2-CDEN-VGN	18,000	124	145	120-277VAC / 120-250VDC	5000k (cool white)	Glass	NEMA 7x6
F1F-76B2-CDEN-VGN	18,000	124	145	120-277VAC / 120-250VDC	5000k (cool white)	Glass	NEMA 6
F1F-74B2-CDEN-VGN	18,000	124	145	120-277VAC / 120-250VDC	5000k (cool white)	Glass	NEMA 4
F1F-77B5-CDEN-VGN	18,000	128	141	347-480VAC	5000k (cool white)	Glass	NEMA 7x6
F1F-76B5-CDEN-VGN	18,000	128	141	347-480VAC	5000k (cool white)	Glass	NEMA 6
F1F-74B5-CDEN-VGN	18,000	128	141	347-480VAC	5000k (cool white)	Glass	NEMA 4

All values typical unless otherwise stated (tolerance +/- 10%).
See previous page notes and warranty information.

ProSite LED Floodlight - UL / CSA

F2 Models

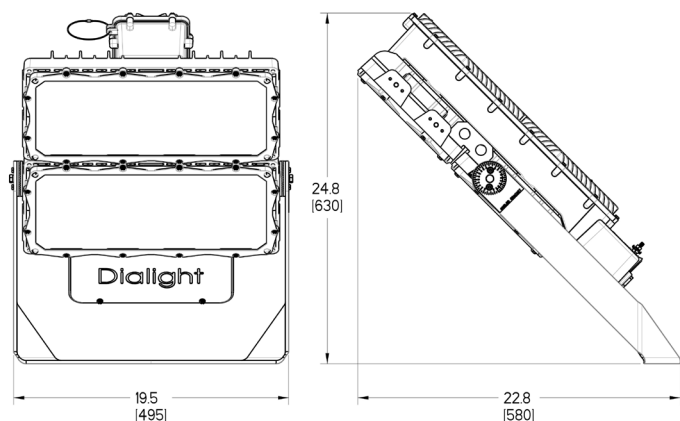


Patent Pending

Certifications & Ratings

- 10 year warranty
- UL 1598/A / CSA C22.2 No. 250.0 / NOM
- UL 844 / CSA C22.2 No. 137
 - Class I, Division 2 (Groups A, B, C, D)
 - Class I, Zone 2 (Groups IIC)
 - Class II, Division 1 (Groups E, F, G) - up to 36k lumen models
 - Class II, Division 2 (Groups F, G)
 - Zone 20, 21 & 22
 - Class III
- IP66/67, NEMA 4X
- ABS
- IK10 (integrated PC optic/lens/lens cover), IK08 (glass lens cover)
- L70 > 150,000 hours @ 25°C ambient
- DLC/DLC Premium - selected models

Angled Bracket



Dimensions in inches [mm]
Additional dimensional drawings on pages 15-16

WARNING - INSTALLATION & SECONDARY RETENTION. Use of any Dialight products without proper installation (including secondary retention / netting) and periodic inspections could cause severe injury or death. Dialight recommends that all installations should use secondary retention / netting (appropriate to the installation environment) where applicable. It is the exclusive responsibility of the contractor, installer and/or end-user to: (a) determine the suitability of the product for its intended application; and, (b) ensure that the product is safely installed (with secondary retention / netting where appropriate) and in compliance with all applicable laws and regulations. To the extent permissible under applicable laws, Dialight disclaims all liability for personal injury and/or other damage resulting from any dislodgment or other dislocation of its products.

Mechanical Information:

- Fixture weight:** 43 - 54 lbs
- Shipping weight:** ~56 lbs
- EPA (sq. ft):** 3.33
- Mounting:** 316 stainless steel straight bracket
(all with 7.5° tilting increments) 316 stainless steel angled bracket
- Cable entry:** 2 x 3/4" NPT

Electrical Specifications:

- Operating voltage:** 120-277VAC / 120-250VDC
347-480 VAC
- Operating temp:** -40°F to +149°F (-40°C to +65°C)
-40°F to +131°F (-40°C to +55°C) - 60klm

- EMC:** CISPR 15
FCC 47CFR 15
IEC 61000-3-3
IEC 61547
IEC 61000-3-2

- Transient protection:** 6KV/3KA combination wave, as per IEEE C62.41, line-line and line-ground.
Optional: 10kV/5kA for non-hazardous models

- THD:** < 20%

- Power Factor:** > 0.9

- Dimming:** Wireless dimming controls via Dialight IntelliLED (up to 36k only), DALI 2.0 compatible / 0-10VDC

Construction:

- Housing:** A360 Die-cast aluminum
- Hardware:** 316 stainless steel
- Finish:** Superior epoxy and polyester dual coat finish
- Lens:** Integrated PC Optic/Lens, Glass Lens Cover, PC Lens Cover

Photometric Information:

- CRI:** 70 (80 optional)
- CCT:** 5000K (cool white)
4000K (neutral white)
2700K (warm white) - 80 CRI

- Beam pattern:** NEMA 4
NEMA 6
NEMA 7x6
Asymmetric

- IES files:** Available at www.dialight.com

All values typical unless otherwise stated (tolerance +/- 10%)

Temperature Ratings

Ambient Temperature T-Code: T4	Ambient Temperature T-Code: T4A
-40°F to +149°F (-40°C to +65°C)	-40°F to +131°F (-40°C to +55°C)

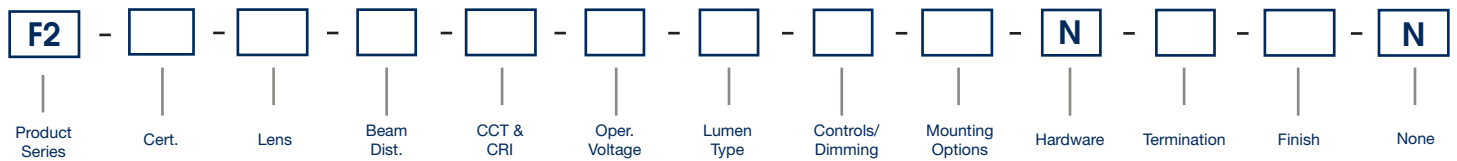
ProSite LED Floodlight - UL / CSA F2 Models



Project Information	
Part Number:	
Project:	
Fixture Type:	Date:

Specifications

Ordering Information



Product Series F2 ProSite Floodlight F2 Model	CCT & CRI B Cool White 5000K - 70 CRI L Neutral White 4000K - 70 CRI W Warm White 2700K - 80 CRI <small>*Amber options available</small>	Controls/Dimming D 0-10V / DALI as standard J Dialight IntelliLED Wireless Controls 2.4GHz (Available up to 36klm models) S Receptacle with Shorting Cap (non-hazardous only)	Termination U 6mm ² Terminal Block - Screw Down* V 4mm ² Terminal Block - Push Down <small>*The 6mm² terminals are only for the incoming power connections. The 6mm² terminals are single pole and cannot be used for 'through' wiring. The 6mm² terminals are not available for 347-480V models.</small>
Certification D UL 844 CID2, CIID2, CIII F UL 844 CIID1, CID2, CIID2, CIII (up to 36k lm models) U UL 1598/A / CSA	Operating Voltage 2 120-277VAC / 120-250VDC 5 347-480 VAC 8 120-277VAC / 120-250VDC 10kV surge (non-hazardous only) 9 347-480 VAC 10kV surge (non-hazardous only)	Mounting Options E 316 SS Angled Bracket F 316 SS Straight Bracket	Finish G Gray (RAL 7040) Z Bronze (RAL 7022)
Lens N Integrated PC Optic/Lens Only 4 PC Lens Cover 7 Glass Lens Cover	Lumen Type F 30,000 Lumens H 36,000 Lumens L 48,000 Lumens N 60,000 Lumens	Hardware N No Option	Battery N No Options
Beam Distribution 4 NEMA 4 6 NEMA 6 7 NEMA 7x6 F Asymmetric <small>*For Asymmetric beam distribution either a PC or Glass lens cover must be included</small>			

WARNING - INSTALLATION & SECONDARY RETENTION. Use of any Dialight products without proper installation (including secondary retention / netting) and periodic inspections could cause severe injury or death. Dialight recommends that all installations should use secondary retention / netting (appropriate to the installation environment) where applicable. It is the exclusive responsibility of the contractor, installer and/or end-user to: (a) determine the suitability of the product for its intended application; and, (b) ensure that the product is safely installed (with secondary retention / netting where appropriate) and in compliance with all applicable laws and regulations. To the extent permissible under applicable laws, Dialight disclaims all liability for personal injury and/or other damage resulting from any dislodgment or other dislocation of its products.

Ordering Information

ProSite LED Floodlight - UL / CSA



Industrial - UL 1598 / CSA							
Part Number	Fixture Lumens	Wattage	lm/W	Voltage	CCT	Lens	Beam Distribution
36,000lm Models							
F2U-N7B2-HDEN-VGN	37,500	234	160	120-277VAC / 120-250VDC	5000k (cool white)	Integrated PC	NEMA 7x6
F2U-N6B2-HDEN-VGN	37,500	234	160	120-277VAC / 120-250VDC	5000k (cool white)	Integrated PC	NEMA 6
F2U-N4B2-HDEN-VGN	37,500	234	160	120-277VAC / 120-250VDC	5000k (cool white)	Integrated PC	NEMA 4
F2U-N7B5-HDEN-VGN	37,500	241	155	347-480VAC	5000k (cool white)	Integrated PC	NEMA 7x6
F2U-N6B5-HDEN-VGN	37,500	241	155	347-480VAC	5000k (cool white)	Integrated PC	NEMA 6
F2U-N4B5-HDEN-VGN	37,500	241	155	347-480VAC	5000k (cool white)	Integrated PC	NEMA 4
48,000lm Models							
F2U-N7B8-LDEN-VGN	51,000	346	147	120-277VAC / 120-250VDC	5000k (cool white)	Integrated PC	NEMA 7x6
F2U-N6B8-LDEN-VGN	51,000	346	147	120-277VAC / 120-250VDC	5000k (cool white)	Integrated PC	NEMA 6
F2U-N4B8-LDEN-VGN	51,000	346	147	120-277VAC / 120-250VDC	5000k (cool white)	Integrated PC	NEMA 4
F2U-N7B9-LDEN-VGN	51,000	357	143	347-480VAC	5000k (cool white)	Integrated PC	NEMA 7x6
F2U-N6B9-LDEN-VGN	51,000	357	143	347-480VAC	5000k (cool white)	Integrated PC	NEMA 6
F2U-N4B9-LDEN-VGN	51,000	357	143	347-480VAC	5000k (cool white)	Integrated PC	NEMA 4
60,000lm Models							
F2U-N7B8-NDEN-VGN	65,000	484	134	120-277VAC / 120-250VDC	5000k (cool white)	Integrated PC	NEMA 7x6
F2U-N6B8-NDEN-VGN	65,000	484	134	120-277VAC / 120-250VDC	5000k (cool white)	Integrated PC	NEMA 6
F2U-N4B8-NDEN-VGN	65,000	484	134	120-277VAC / 120-250VDC	5000k (cool white)	Integrated PC	NEMA 4
F2U-7FB8-NDEN-VGN	60,100	484	124	120-277VAC / 120-250VDC	5000k (cool white)	Glass	Asymmetric
F2U-N7B9-NDEN-VGN	65,000	499	130	347-480VAC	5000k (cool white)	Integrated PC	NEMA 7x6
F2U-N6B9-NDEN-VGN	65,000	499	130	347-480VAC	5000k (cool white)	Integrated PC	NEMA 6
F2U-N4B9-NDEN-VGN	65,000	499	130	347-480VAC	5000k (cool white)	Integrated PC	NEMA 4
F2U-7FB9-NDEN-VGN	60,100	499	120	347-480VAC	5000k (cool white)	Glass	Asymmetric

All values typical unless otherwise stated (tolerance +/- 10%).

See ordering information chart for additional options.

Part numbers listed in **bold** are typically available in stock.

Mounting Bracket - Angled Bracket supplied as standard.

DISCLAIMER. All product information provided is, to the best of Dialight's knowledge, accurate as of the date of publication. When ordering, refer to www.dialight.com for current versions of: (a) relevant product documentation (including the relevant product data sheets); (b) Dialight terms and conditions of sale; and, (c) the relevant product warranty. To the extent that any contract is deemed formed between Dialight and the purchaser of Dialight products and/or an end-user, versions of documents available at www.dialight.com as at the date of sale shall be the versions incorporated therein. In the event of any discrepancy between this document or information provided at www.dialight.com, the latter shall prevail.

Ordering Information

ProSite LED Floodlight - UL / CSA



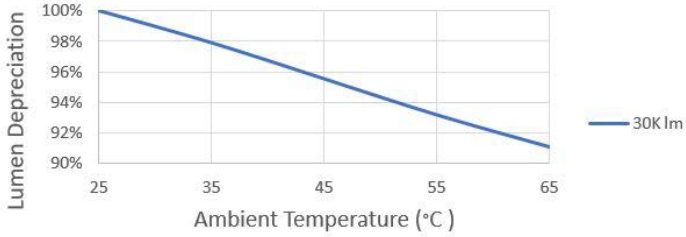
Hazardous - UL844 CID2, CIID2, CIII							
Part Number	Fixture Lumens	Wattage	lm/W	Voltage	CCT	Lens	Beam Distribution
36,000lm Models							
F2D-77B2-HDEN-VGN	35,400	234	151	120-277VAC / 120-250VDC	5000k (cool white)	Glass	NEMA 7x6
F2D-76B2-HDEN-VGN	35,400	234	151	120-277VAC / 120-250VDC	5000k (cool white)	Glass	NEMA 6
F2D-74B2-HDEN-VGN	35,400	234	151	120-277VAC / 120-250VDC	5000k (cool white)	Glass	NEMA 4
F2D-77B5-HDEN-VGN	35,400	241	147	347-480VAC	5000k (cool white)	Glass	NEMA 7x6
F2D-76B5-HDEN-VGN	35,400	241	147	347-480VAC	5000k (cool white)	Glass	NEMA 6
F2D-74B5-HDEN-VGN	35,400	241	147	347-480VAC	5000k (cool white)	Glass	NEMA 4
48,000lm Models							
F2D-77B2-LDEN-VGN	48,200	346	139	120-277VAC / 120-250VDC	5000k (cool white)	Glass	NEMA 7x6
F2D-76B2-LDEN-VGN	48,200	346	139	120-277VAC / 120-250VDC	5000k (cool white)	Glass	NEMA 6
F2D-74B2-LDEN-VGN	48,200	346	139	120-277VAC / 120-250VDC	5000k (cool white)	Glass	NEMA 4
F2D-77B5-LDEN-VGN	48,200	357	135	347-480VAC	5000k (cool white)	Glass	NEMA 7x6
F2D-76B5-LDEN-VGN	48,200	357	135	347-480VAC	5000k (cool white)	Glass	NEMA 6
F2D-74B5-LDEN-VGN	48,200	357	135	347-480VAC	5000k (cool white)	Glass	NEMA 4
60,000lm Models							
F2D-77B2-NDEN-VGN	61,400	484	127	120-277VAC / 120-250VDC	5000k (cool white)	Glass	NEMA 7x6
F2D-76B2-NDEN-VGN	61,400	484	127	120-277VAC / 120-250VDC	5000k (cool white)	Glass	NEMA 6
F2D-74B2-NDEN-VGN	61,400	484	127	120-277VAC / 120-250VDC	5000k (cool white)	Glass	NEMA 4
F2D-77B5-NDEN-VGN	61,400	499	123	347-480VAC	5000k (cool white)	Glass	NEMA 7x6
F2D-76B5-NDEN-VGN	61,400	499	123	347-480VAC	5000k (cool white)	Glass	NEMA 6
F2D-74B5-NDEN-VGN	61,400	499	123	347-480VAC	5000k (cool white)	Glass	NEMA 4
F2D-77B5-NDEN-VGN	60,100	499	120	347-480VAC	5000k (cool white)	Glass	Asymmetric
Hazardous - UL844 CIID1							
Part Number	Fixture Lumens	Wattage	lm/W	Voltage	CCT	Lens	Beam Distribution
30,000lm Models							
F2F-77B2-FDEN-VGN	30,200	200	151	120-277VAC / 120-250VDC	5000k (cool white)	Glass	NEMA 7x6
F2F-76B2-FDEN-VGN	30,200	200	151	120-277VAC / 120-250VDC	5000k (cool white)	Glass	NEMA 6
F2F-74B2-FDEN-VGN	30,200	200	151	120-277VAC / 120-250VDC	5000k (cool white)	Glass	NEMA 4
F2F-77B5-FDEN-VGN	30,200	206	147	347-480VAC	5000k (cool white)	Glass	NEMA 7x6
F2F-76B5-FDEN-VGN	30,200	206	147	347-480VAC	5000k (cool white)	Glass	NEMA 6
F2F-74B5-FDEN-VGN	30,200	206	147	347-480VAC	5000k (cool white)	Glass	NEMA 4
36,000lm Models							
F2F-77B2-HDEN-VGN	35,400	234	151	120-277VAC / 120-250VDC	5000k (cool white)	Glass	NEMA 7x6
F2F-76B2-HDEN-VGN	35,400	234	151	120-277VAC / 120-250VDC	5000k (cool white)	Glass	NEMA 6
F2F-74B2-HDEN-VGN	35,400	234	151	120-277VAC / 120-250VDC	5000k (cool white)	Glass	NEMA 4
F2F-77B5-HDEN-VGN	35,400	241	147	347-480VAC	5000k (cool white)	Glass	NEMA 7x6
F2F-76B5-HDEN-VGN	35,400	241	147	347-480VAC	5000k (cool white)	Glass	NEMA 6
F2F-74B5-HDEN-VGN	35,400	241	147	347-480VAC	5000k (cool white)	Glass	NEMA 4

All values typical unless otherwise stated (tolerance +/- 10%).
 See ordering information chart for additional options.
 Mounting Bracket - Angled Bracket supplied as standard.

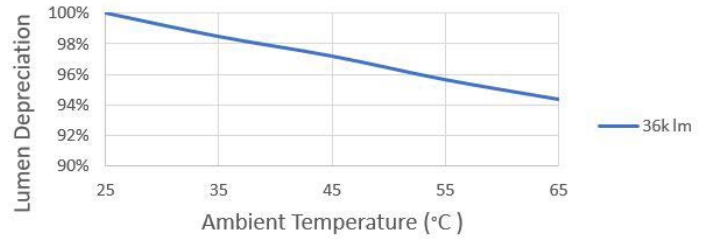
DISCLAIMER. All product information provided is, to the best of Dialight's knowledge, accurate as of the date of publication. When ordering, refer to www.dialight.com for current versions of: (a) relevant product documentation (including the relevant product data sheets); (b) Dialight terms and conditions of sale; and, (c) the relevant product warranty. To the extent that any contract is deemed formed between Dialight and the purchaser of Dialight products and/or an end-user, versions of documents available at www.dialight.com as at the date of sale shall be the versions incorporated therein. In the event of any discrepancy between this document or information provided at www.dialight.com, the latter shall prevail.

Thermal Roll-Off

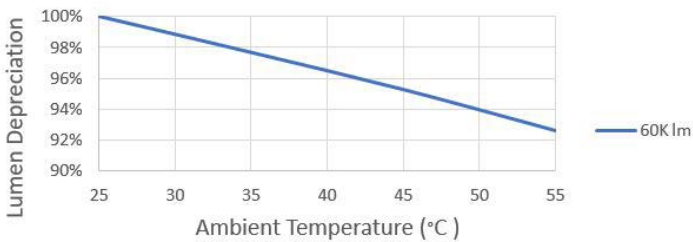
F1 30klm @ 277V



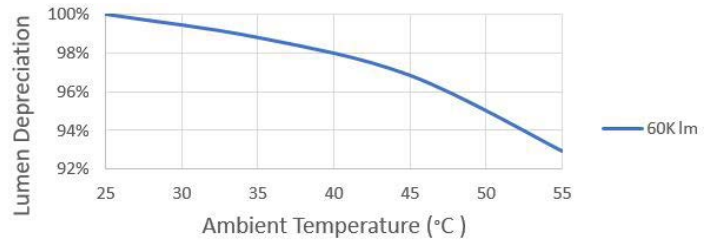
F2 36klm @ 277V



F2 60klm @277V



F2 60klm @ 480V



DISCLAIMER. All product information provided is, to the best of Dialight's knowledge, accurate as of the date of publication. When ordering, refer to www.dialight.com for current versions of: (a) relevant product documentation (including the relevant product data sheets); (b) Dialight terms and conditions of sale; and, (c) the relevant product warranty. To the extent that any contract is deemed formed between Dialight and the purchaser of Dialight products and/or an end-user, versions of documents available at www.dialight.com as at the date of sale shall be the versions incorporated therein. In the event of any discrepancy between this document or information provided at www.dialight.com, the latter shall prevail.

In Rush Current

Lumen Output	In rush current @ input voltage				Time duration of in rush current @ input voltage			
	120 VAC	277 VAC	347 VAC	480 VAC	120 VAC	277 VAC	347 VAC	480 VAC
60,000	15	36	8	11	1.5mS	1.5ms	.9ms	.9ms
48,000	15	36	8	11	1.5mS	1.5ms	.9ms	.9ms
36,000	8	18	4	6	1.5mS	1.5ms	.9ms	.9ms
30,000	8	18	4	6	1.5mS	1.5ms	.9ms	.9ms
24,000	8	18	4	6	1.5mS	1.5ms	.9ms	.9ms
18,000	8	18	4	6	1.5mS	1.5ms	.9ms	.9ms
12,000	8	18	4	6	1.5mS	1.5ms	.9ms	.9ms
Amber 24,000	15	36	8	11	1.5mS	1.5ms	.9ms	.9ms
Amber 12,000	8	18	4	6	1.5mS	1.5ms	.9ms	.9ms

Maximum per Circuit Breaker

120 VAC			
Lumen Output	C10	B16	C16
60,000	2	3	3
48,000	2	4	4
36,000	3	5	5
30,000 (F2)	4	6	6
30,000 (F1)	3	5	5
24,000	4	7	7
18,000	6	10	10
12,000	10	16	16
Amber 24,000	2	3	3
Amber 12,000	3	6	6

277 VAC		
C10	B16	C16
3	5	5
5	8	8
7	11	11
8	13	13
7	11	11
9	15	15
13	21	21
20	32	32
4	6	6
7	12	12

347 VAC			
Lumen Output	C10	B16	C16
60,000	5	7	7
48,000	6	10	10
36,000	10	15	15
30,000 (F2)	11	18	18
30,000 (F1)	10	15	15
24,000	13	20	20
18,000	18	28	28
12,000	27	43	43
Amber 24,000	5	8	8
Amber 12,000	10	16	16

480 VAC		
C10	B16	C16
6	9	9
8	13	13
12	19	19
14	22	22
12	19	19
16	25	25
22	35	35
34	54	54
6	10	10
12	20	20

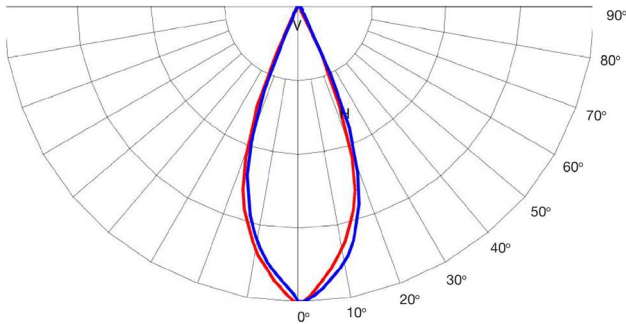
DISCLAIMER. All product information provided is, to the best of Dialight's knowledge, accurate as of the date of publication. When ordering, refer to www.dialight.com for current versions of: (a) relevant product documentation (including the relevant product data sheets); (b) Dialight terms and conditions of sale; and, (c) the relevant product warranty. To the extent that any contract is deemed formed between Dialight and the purchaser of Dialight products and/or an end-user, versions of documents available at www.dialight.com as at the date of sale shall be the versions incorporated therein. In the event of any discrepancy between this document or information provided at www.dialight.com, the latter shall prevail.

Earth Leakage (Normal & Fault)

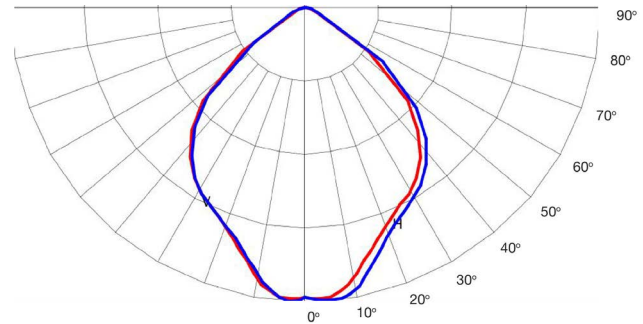
Voltage	Normal (uAmps)	Live-Neutral reversed (uAmps)	Normal open (uAmps)	Live open (uAmps)
F1xxxx2FxxNxGN Model - 30klm, 120-277 VAC				
120V/60Hz	252	255	395	0
230V/50Hz	353	356	642	0
277V/60Hz	510	517	920	0
F2xxxx2NxxNxGN Model - 60klm, 120-277 VAC				
120V/60Hz	488	480	808	0
230V/50Hz	694	698	1304	0
277V/60Hz	995	991	1859	0
F1xxxx5FxxNxGN Model - 30klm, 347-480 VAC (347V tests :single phase power source with L2 as the Neutral conductor)				
347V/60Hz	583	580	0	974
480V/60Hz	510	514	770	770
F2xxxx5NxxNxGN Model - 60klm, 347-480 VAC (347V tests :single phase power source with L2 as the Neutral conductor)				
347V/60Hz	980	995	0	1616
480V/60Hz	791	790	1268	1273

Beam Distribution

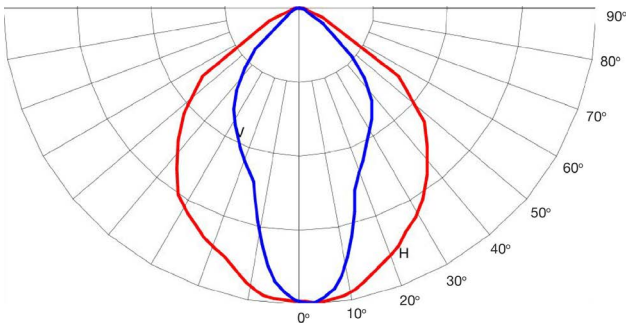
NEMA 4



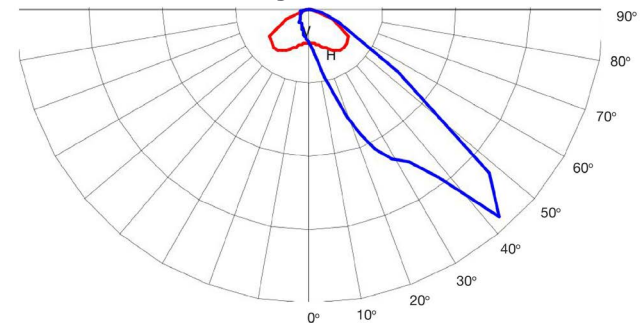
NEMA 6



NEMA 7x6



Asymmetric



DISCLAIMER. All product information provided is, to the best of Dialight's knowledge, accurate as of the date of publication. When ordering, refer to www.dialight.com for current versions of: (a) relevant product documentation (including the relevant product data sheets); (b) Dialight terms and conditions of sale; and, (c) the relevant product warranty. To the extent that any contract is deemed formed between Dialight and the purchaser of Dialight products and/or an end-user, versions of documents available at www.dialight.com as at the date of sale shall be the versions incorporated therein. In the event of any discrepancy between this document or information provided at www.dialight.com, the latter shall prevail.

Lumen Maintenance Factor - F1

F1 Floodlight 12k lm (Hours)									
Ambient	0	15000	30000	45000	60000	75000	90000	100000	150000
25°C	100%	98%	97%	96%	96%	95%	94%	93%	91%
30°C	99%	97%	96%	95%	95%	94%	93%	92%	90%
35°C	98%	96%	96%	95%	95%	94%	93%	92%	90%
40°C	98%	96%	95%	94%	94%	93%	92%	91%	89%
45°C	97%	95%	94%	93%	93%	92%	91%	90%	88%
50°C	96%	94%	94%	93%	93%	92%	91%	90%	88%
55°C	96%	94%	93%	92%	91%	90%	90%	89%	87%
60°C	95%	93%	92%	91%	91%	90%	89%	89%	86%
65°C	94%	92%	92%	91%	90%	89%	88%	88%	85%

F1 Floodlight 30k lm (Hours)									
Ambient	0	15000	30000	45000	60000	75000	90000	100000	150000
25°C	100%	98%	95%	93%	91%	89%	87%	85%	79%
30°C	99%	97%	94%	92%	90%	88%	86%	84%	78%
35°C	98%	96%	93%	91%	89%	87%	85%	83%	77%
40°C	97%	94%	92%	90%	88%	85%	83%	82%	76%
45°C	96%	93%	91%	88%	86%	84%	82%	81%	74%
50°C	94%	92%	90%	87%	85%	83%	81%	79%	72%
55°C	93%	91%	88%	86%	84%	81%	79%	78%	71%
60°C	92%	90%	87%	85%	82%	80%	78%	76%	70%
65°C	91%	88%	86%	84%	81%	79%	77%	75%	68%

DISCLAIMER. All product information provided is, to the best of Dialight's knowledge, accurate as of the date of publication. When ordering, refer to www.dialight.com for current versions of: (a) relevant product documentation (including the relevant product data sheets); (b) Dialight terms and conditions of sale; and, (c) the relevant product warranty. To the extent that any contract is deemed formed between Dialight and the purchaser of Dialight products and/or an end-user, versions of documents available at www.dialight.com as at the date of sale shall be the versions incorporated therein. In the event of any discrepancy between this document or information provided at www.dialight.com, the latter shall prevail.

Lumen Maintenance Factor - F2

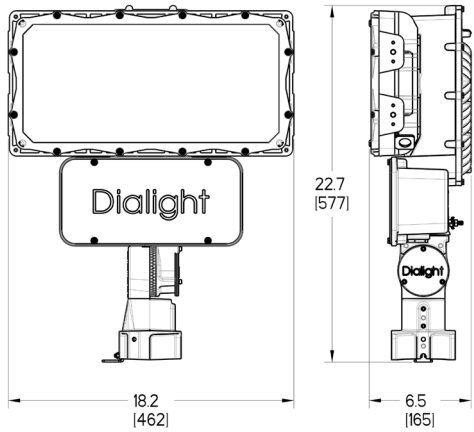
F2 Floodlight 36k lm (Hours)									
Ambient	0	15000	30000	45000	60000	75000	90000	100000	150000
25°C	100%	98%	97%	96%	96%	95%	94%	93%	91%
30°C	99%	97%	96%	96%	95%	94%	93%	93%	90%
35°C	98%	97%	96%	95%	94%	93%	92%	92%	89%
40°C	98%	96%	95%	94%	93%	93%	92%	91%	89%
45°C	97%	95%	94%	94%	93%	92%	91%	91%	88%
50°C	96%	94%	94%	93%	92%	91%	90%	90%	87%
55°C	96%	94%	93%	92%	91%	90%	90%	89%	87%
60°C	95%	93%	92%	91%	91%	90%	89%	88%	86%
65°C	94%	92%	92%	91%	90%	89%	88%	88%	85%

F2 Floodlight 60k lm (Hours)									
Ambient	0	15000	30000	45000	60000	75000	90000	100000	150000
25°C	100%	98%	95%	93%	91%	89%	87%	85%	79%
30°C	99%	96%	94%	92%	90%	88%	86%	84%	78%
35°C	98%	95%	93%	91%	88%	86%	84%	83%	76%
40°C	96%	94%	92%	89%	87%	85%	83%	81%	75%
45°C	95%	93%	90%	88%	86%	83%	81%	80%	73%
50°C	94%	91%	89%	87%	84%	82%	80%	78%	72%
55°C	93%	90%	88%	85%	83%	80%	78%	77%	70%

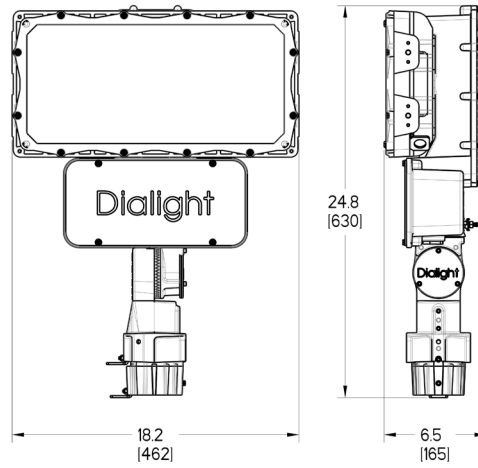
DISCLAIMER. All product information provided is, to the best of Dialight's knowledge, accurate as of the date of publication. When ordering, refer to www.dialight.com for current versions of: (a) relevant product documentation (including the relevant product data sheets); (b) Dialight terms and conditions of sale; and, (c) the relevant product warranty. To the extent that any contract is deemed formed between Dialight and the purchaser of Dialight products and/or an end-user, versions of documents available at www.dialight.com as at the date of sale shall be the versions incorporated therein. In the event of any discrepancy between this document or information provided at www.dialight.com, the latter shall prevail.

Dimensional Drawings

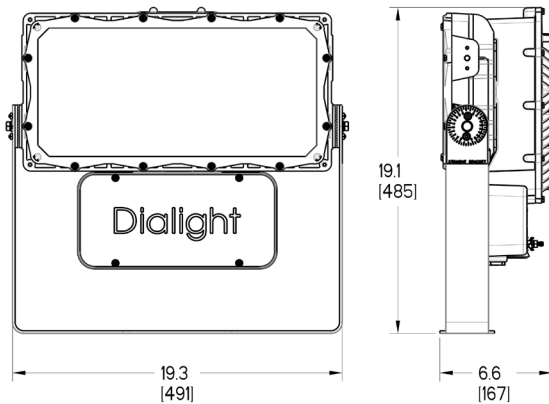
F1 Slipfitter Bracket - UL 1598/A



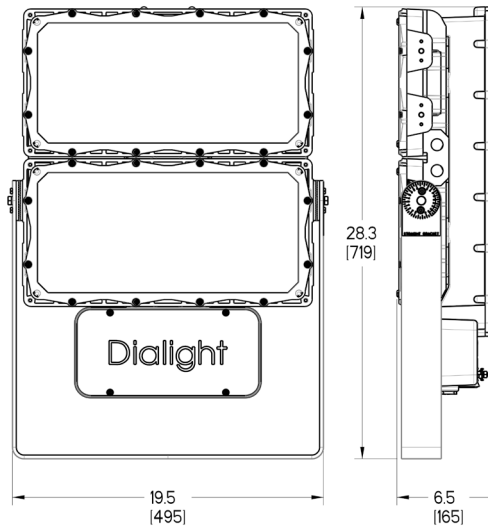
F1 Slipfitter Bracket - UL 844 (CID2 Only)



F1 Straight Bracket



F2 Straight Bracket

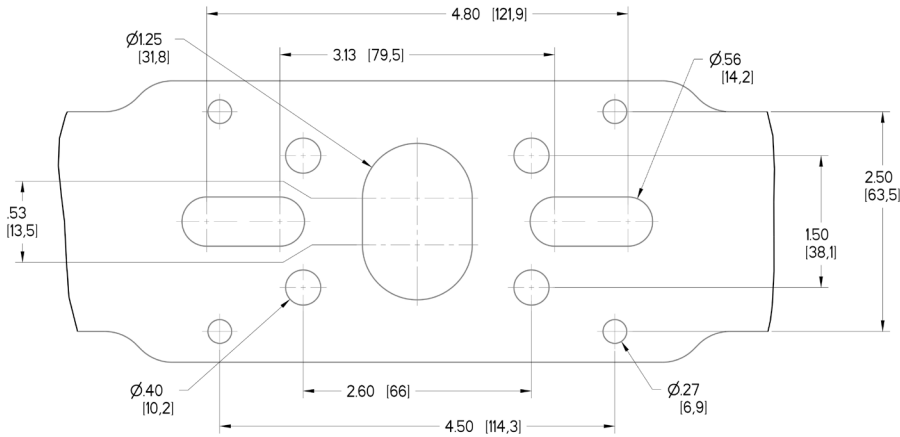


Dimensions in inches [mm]

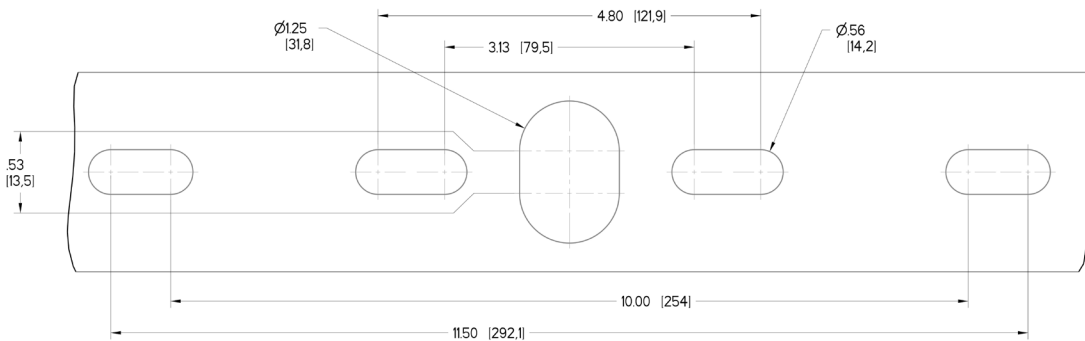
DISCLAIMER. All product information provided is, to the best of Dialight's knowledge, accurate as of the date of publication. When ordering, refer to www.dialight.com for current versions of: (a) relevant product documentation (including the relevant product data sheets); (b) Dialight terms and conditions of sale; and, (c) the relevant product warranty. To the extent that any contract is deemed formed between Dialight and the purchaser of Dialight products and/or an end-user, versions of documents available at www.dialight.com as at the date of sale shall be the versions incorporated therein. In the event of any discrepancy between this document or information provided at www.dialight.com, the latter shall prevail.

Dimensional Drawings

F1 Mounting Bracket



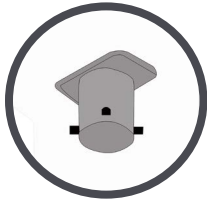
F2 Mounting Bracket



Dimensions in inches [mm]

DISCLAIMER. All product information provided is, to the best of Dialight's knowledge, accurate as of the date of publication. When ordering, refer to www.dialight.com for current versions of: (a) relevant product documentation (including the relevant product data sheets); (b) Dialight terms and conditions of sale; and, (c) the relevant product warranty. To the extent that any contract is deemed formed between Dialight and the purchaser of Dialight products and/or an end-user, versions of documents available at www.dialight.com as at the date of sale shall be the versions incorporated therein. In the event of any discrepancy between this document or information provided at www.dialight.com, the latter shall prevail.

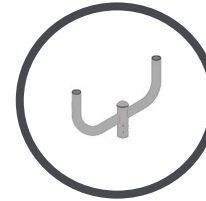
Mounting Accessories - Gray



- FLX-1TPT-20LG¹**
- Tenon pole topper, 2-3/8" mount
 - Kit includes: Tenon topper, pole set screws

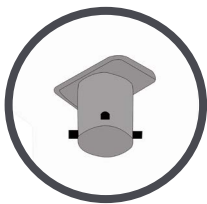


- FLX-1RAB-20LG**
- Right angle mounting bracket for 2-3/8" light mount
 - Kit includes: Right angle bracket

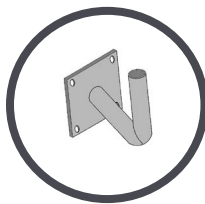


- FLX-2LBH-20LG**
- Bull horn for 2 lights, 2-3/8" mount, 21" spacing
 - Kit includes: Bull horn, pole set screws

Mounting Accessories - Bronze



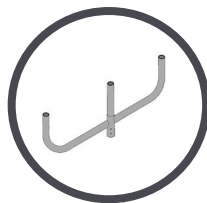
- FLX-1TPT-20DB¹**
- Tenon pole topper, 2-3/8" mount
 - Kit includes: Tenon topper, pole set screws



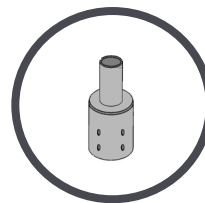
- FLX-1RAB-20DB**
- Right angle mounting bracket for 2-3/8" light mount
 - Kit includes: Right angle bracket



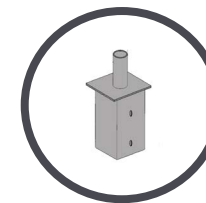
- FLX-2LBH-20DB**
- Bull horn for 2 lights, 2-3/8" mount, 21" spacing
 - Kit includes: Bull horn, pole set screws



- FLX-3LBH-20DB**
- Bull horn for 3 lights, 2-3/8" mount, 21" spacing
 - Kit includes: Bull horn, pole set screws



- FLX-3RPA-20DB**
FLX-4RPA-20DB
- Reducer for 3" or 4" OD round pole top to 2-3/8" light mount
 - Kit includes: Reducer pole set screws



- FLX-4SPA-20DB**
FLX-5SPA-20DB
FLX-6SPA-20DB
- Internal tenon adapter for 4", 5" or 6" square pole top to 2-3/8" light mount
 - Kit includes: Adapter

Mounting accessories shown above are painted steel construction.

Accessories



- F1NVISOR**
- F1 visor NEMA optics



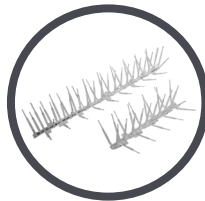
- F2NVISOR**
- F2 visor NEMA optics



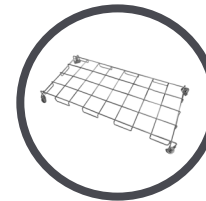
- F2AVISOR**
- F2 visor asymmetric optics



- H6XCAB72²**
- 72" stainless steel safety rope
 - Kit includes: (1) cable
- H6XCAB60²**
- 60" stainless steel safety rope
 - Kit includes: (1) cable



- F1SPIKES**
F2SPIKES
- Bird spikes



- FLWG**
- Wire guard
 - Kit includes (1) assembly

¹Brackets and adapters require the tenon pole topper (FLX-1TPT-20DB/LG) to mount floodlight. Tenon pole topper sold separately.

²F1 models require 1 cable per unit. F2 models require 2 cables per unit.

DISCLAIMER. All product information provided is, to the best of Dialight's knowledge, accurate as of the date of publication. When ordering, refer to www.dialight.com for current versions of: (a) relevant product documentation (including the relevant product data sheets); (b) Dialight terms and conditions of sale; and, (c) the relevant product warranty. To the extent that any contract is deemed formed between Dialight and the purchaser of Dialight products and/or an end-user, versions of documents available at www.dialight.com as at the date of sale shall be the versions incorporated therein. In the event of any discrepancy between this document or information provided at www.dialight.com, the latter shall prevail.

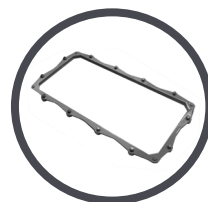
Replacements



- SLPC01R**
- Photocell, 105-305 VAC
- SLPC02R**
- Photocell, 312-382 VAC
- SLPC03R**
- Photocell, 432-528 VAC



- FLWIRELESS**
- Wireless controls card



- FLGLASSLG**
- Glass lens, gray
- FLGLASSLZ**
- Glass lens, bronze
- FLPCLG**
- Polycarb lens, gray
- FLPCLZ**
- Polycarb lens, bronze

- Kit includes (1) assembly



- FL10KV277**
- 10kV surge protection 100-277V
- FL10KV480**
- 10kV surge protection 347-480V

Replacement Power Supplies	
Part Number	Description
F1PS2B	100-277V Power Supply, 12k lm
F1PS2C	100-277V Power Supply, 18k lm
F1PS2E	100-277V Power Supply, 24k lm
F1PS2F	100-277V Power Supply, 30k lm
F2PS2H	100-277V Power Supply, 36k lm
F2PS2L	100-277V Power Supply, 48k lm
F2PS2N	100-277V Power Supply, 60k lm
F1PS5B	347-480V Power Supply, 12k lm
F1PS5C	347-480V Power Supply, 18k lm
F1PS5E	347-480V Power Supply, 24k lm
F1PS5F	347-480V Power Supply, 30k lm
F2PS5H	347-480V Power Supply, 36k lm
F2PS5L	347-480V Power Supply, 48k lm
F2PS5N	347-480V Power Supply, 60k lm

DISCLAIMER. All product information provided is, to the best of Dialight's knowledge, accurate as of the date of publication. When ordering, refer to www.dialight.com for current versions of: (a) relevant product documentation (including the relevant product data sheets); (b) Dialight terms and conditions of sale; and, (c) the relevant product warranty. To the extent that any contract is deemed formed between Dialight and the purchaser of Dialight products and/or an end-user, versions of documents available at www.dialight.com as at the date of sale shall be the versions incorporated therein. In the event of any discrepancy between this document or information provided at www.dialight.com, the latter shall prevail.

North American HQ

1501 Route 34 South
Farmingdale, NJ 07727

Tel: 732-919-3119

Fax: 732-751-5778

info@dialight.com

WARNING / DISCLAIMERS:

Installation & secondary retention. The use of this product without proper installation (including secondary retention / netting) and periodic inspections, could cause severe injury or death. Dialight recommends that all installations should use secondary retention / netting (appropriate to the installation environment) as applicable. Dialight products are intended for ultimate purchase, installation and operation by knowledgeable persons trained in the functional assessment, installation, use and maintenance of such products and all customers (including but not limited to end customers) are responsible for assessing the suitability of Dialight products for any given installation requirement. It is the exclusive responsibility of the contractor, installer and/or end-user to: (a) determine the suitability of the product for its intended application; and, (b) ensure that the product is safely installed (with secondary retention / netting as appropriate) and in compliance with all applicable laws and regulations.

Product specifications & warranties. All product information provided is, to the best of Dialight's knowledge, accurate as of the date of publication. All values and performance data herein are design or typical values when measured under laboratory conditions. The information herein is subject to change without notice. The products / software detailed herein are subject to applicable warranties and terms and conditions of use/purchase. Unless agreed otherwise in writing by an authorized representative of Dialight, Dialight does not represent that its products are fit for any particular purpose and accepts no liability for the installation and/or unauthorised use of its products. When ordering, refer to www.dialight.com for current versions of: (a) relevant product documentation (including relevant product data sheets); (b) Dialight terms and conditions of sale; and, (c) the relevant product warranties. To the extent that any contract is deemed formed between Dialight and the purchaser of Dialight products and/or an end-user, versions of documents available at www.dialight.com as at the date of sale shall be the versions incorporated therein. In the event of any discrepancy between this document and information provided at www.dialight.com, the latter shall prevail.

Exclusion of liability. To the extent permissible under the relevant law, Dialight disclaims all liability for personal injury and/or other damage resulting from any dislodgment or other dislocation of its products. Whilst Dialight has used its reasonable endeavours to ensure the completeness and accuracy of information herein, Dialight does not assume any liability for damages resulting from use of this information or for any third-party representations made in relation to Dialight products.