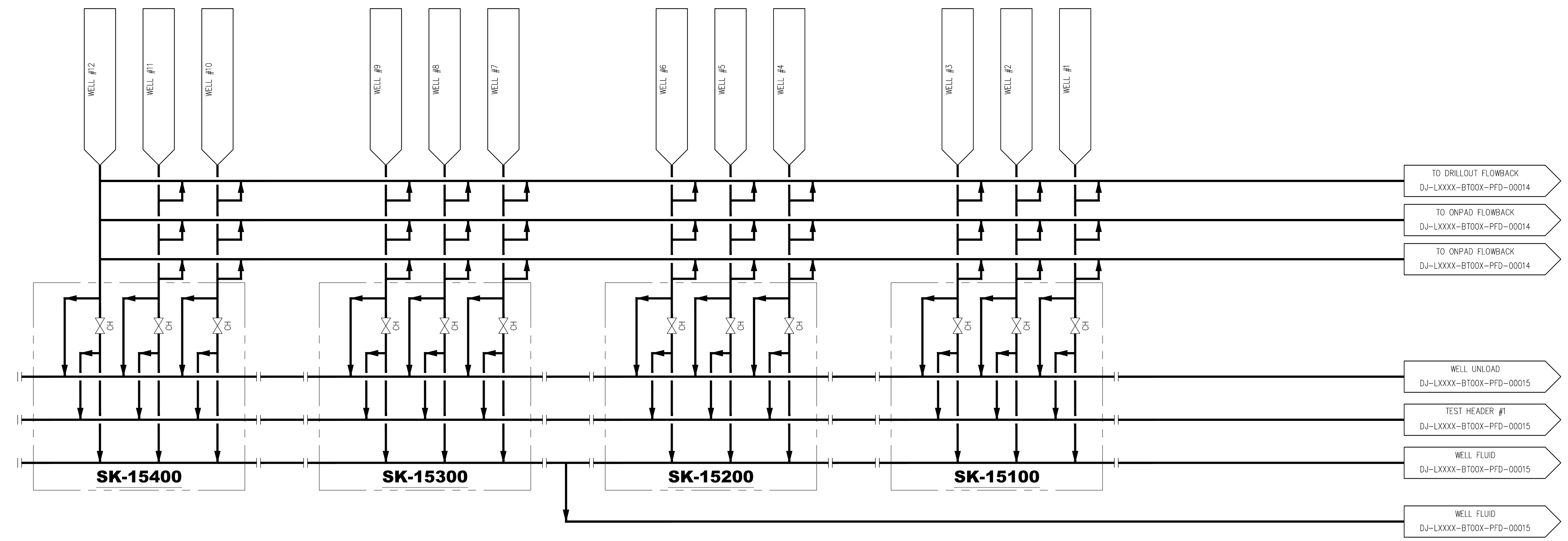


**SK-15100-15400**  
**WELLHEAD MANIFOLD**  
 (3 PACK)



THIS DRAWING AND THE DESIGN IT COVERS ARE CONFIDENTIAL AND SHALL NOT BE DISCLOSED TO OTHERS OR REPRODUCED IN ANY MANNER OR USED FOR ANY PURPOSE WHATSOEVER EXCEPT BY WRITTEN PERMISSION BY THE OWNER.

PLOT STYLE: APC\_Standard.ctb  
 LAST SAVED: 10/11/2024 BY: Brandon Wells  
 FILE LOCATION: C:\604501 - DJ Core Facilities\DJ-LXXX-BT00X - Fern\ - PFD - PFDs\FFDs\DJ-LXXX-BT00X-PFD-00010.dwg

NOTES:

REFERENCE DRAWINGS	
DWG. NO.	TITLE

REVISIONS					
NO.	DESCRIPTION	BY	DATE	CHK.	DATE

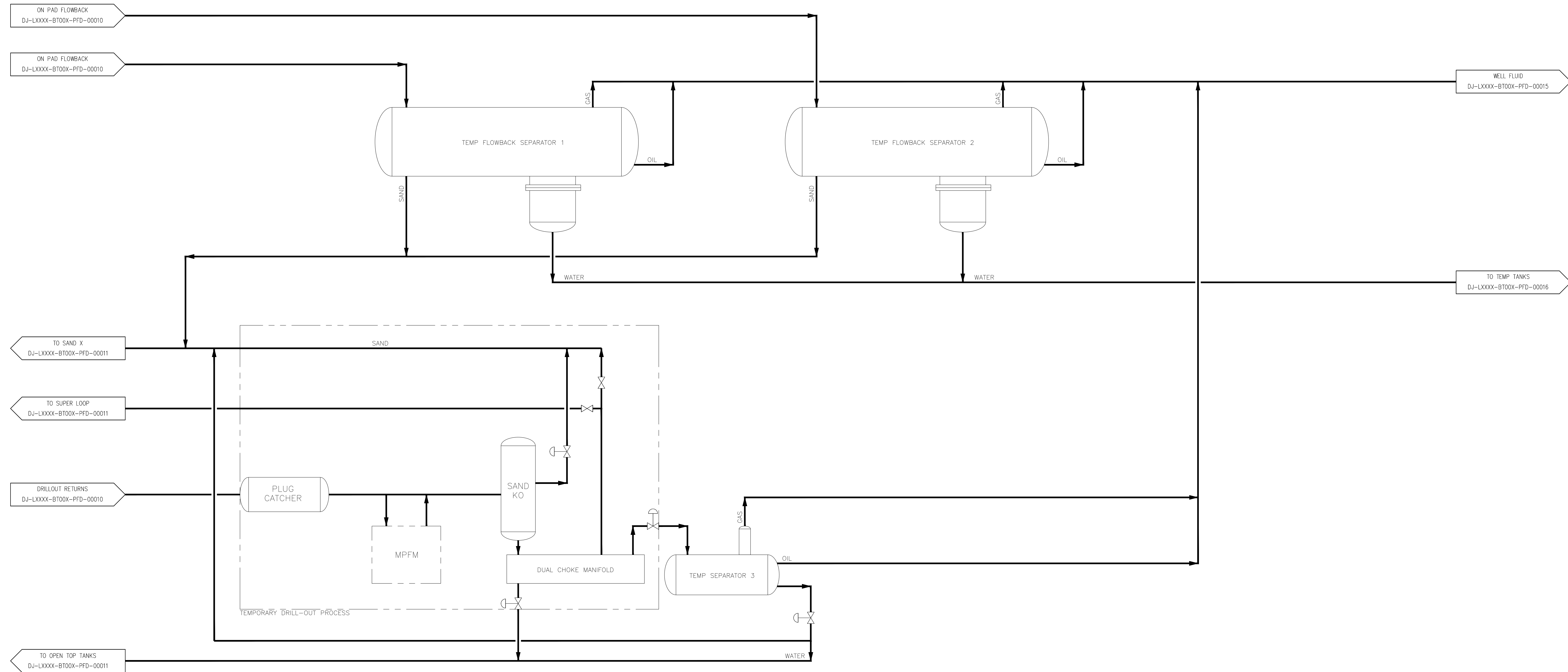
**Kerr-McGee Oil & Gas Onshore LP**

**FERN**

PROCESS FLOW DIAGRAM PRODUCTION FACILITY		
DRAWN BY: BSY	CREATION DATE: 04/09/24	AFE No.: -
APPROVED: JUB	APPR. DATE: 04/09/24	
	DWG. No.: <b>DJ-LXXX-BT00X-PFD-00010</b>	SHEET No. <b>B</b>
		- OF -



THIS DRAWING AND THE DESIGN IT COVERS ARE CONFIDENTIAL AND REMAIN THE PROPERTY OF ANDARIGO PETROLEUM CORPORATION AND SHALL NOT BE DISCLOSED TO OTHERS OR REPRODUCED IN ANY MANNER OR USED FOR ANY PURPOSE WHATSOEVER EXCEPT BY WRITTEN PERMISSION BY THE OWNER.



NOTES:

DWG. NO.	TITLE

NO.	DESCRIPTION	DATE	BY	CHK.	DATE	APPR.	DATE

**Kerr-McGee Oil & Gas Onshore LP**

**FERN**

<b>PROCESS FLOW DIAGRAM</b>		
<b>PRODUCTION FACILITY</b>		
<b>TEMPORARY FLOWBACK ON PAD</b>		
DRAWN BY: BMW	CREATION DATE: 10/11/24	AFE No.: -
APPROVED: EJA	APPR. DATE: 10/11/24	
	DWG. No.: <b>DJ-LXXXX-BT00X-PFD-00014</b>	SHEET No. <b>1</b>
SCALE: -		- OF -

FILE LOCATION: c:\604501 - DJ Core Facilities\DJ-LXXXX-BT00X - Fern\ PFD-PID\PDFs\DJ-LXXXX-BT00X-PFD-00014.dwg  
 LAST SAVED: 10/11/2024 BY: Brandon Wells  
 PLOT STYLE: APC-Standard.ctb