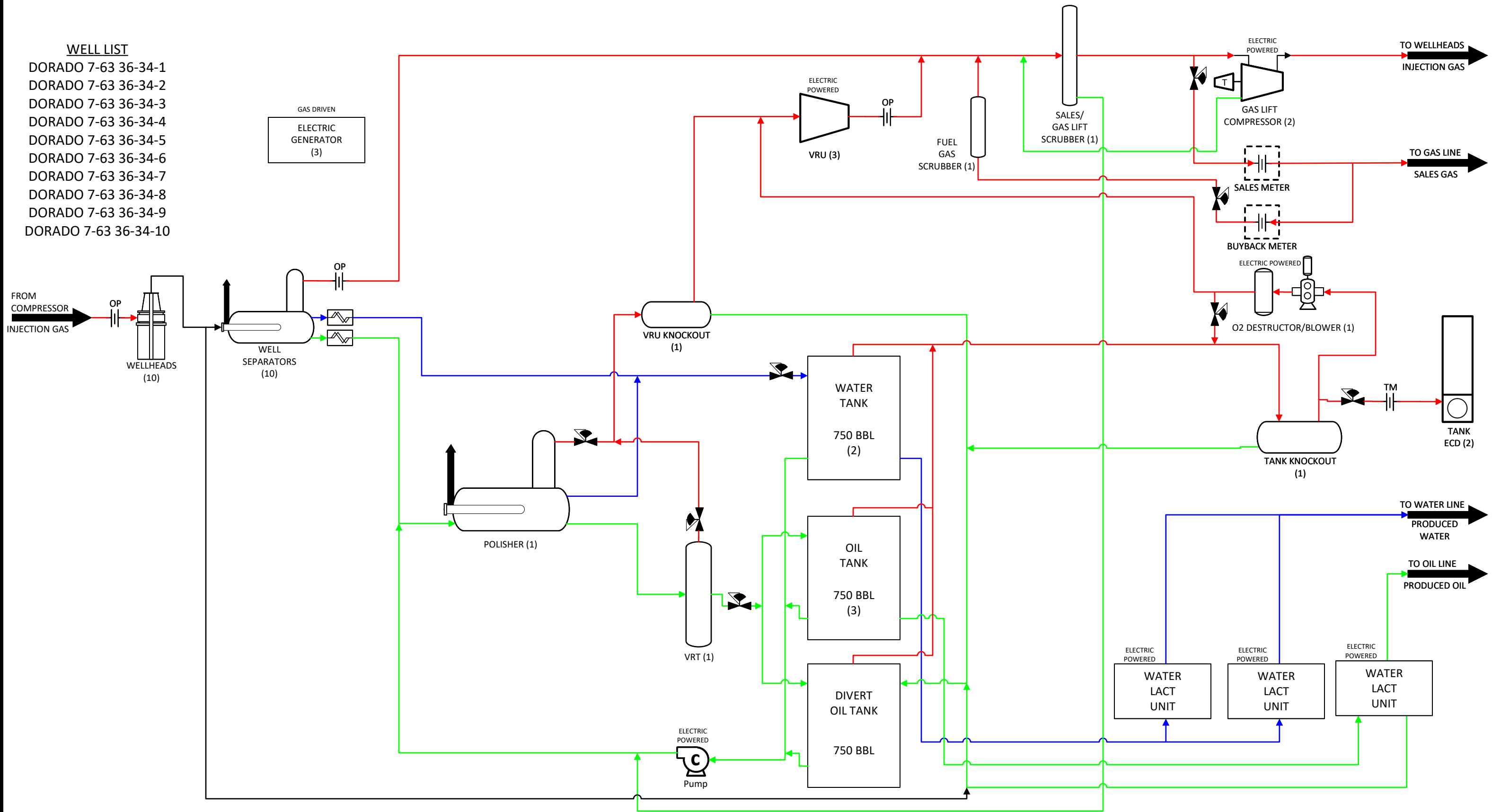


WELL LIST

- DORADO 7-63 36-34-1
- DORADO 7-63 36-34-2
- DORADO 7-63 36-34-3
- DORADO 7-63 36-34-4
- DORADO 7-63 36-34-5
- DORADO 7-63 36-34-6
- DORADO 7-63 36-34-7
- DORADO 7-63 36-34-8
- DORADO 7-63 36-34-9
- DORADO 7-63 36-34-10



NOTES:

- OIL
- WATER
- GAS
- MULTI PHASE
- - - → TEMPORARY OIL
- - - → TEMPORARY WATER
- - - → TEMPORARY GAS
- - - → TEMPORARY FLOWBACK
- CORIOLIS METER
- CONTROL VALVE
- OP ORIFICE FLOW METER
- TM THERMAL MASS FLOW METER

REV	DESCRIPTION	DATE	CHECKED
1	Issued for Reference	8/5/2024	JT
2	Add Equip	8/7/2024	

BISON IV OPERATING, LLC

PROCESS FLOW DIAGRAM
DORADO 36 PAD
SENW Section 36 T7N R63W, 6th P.M.