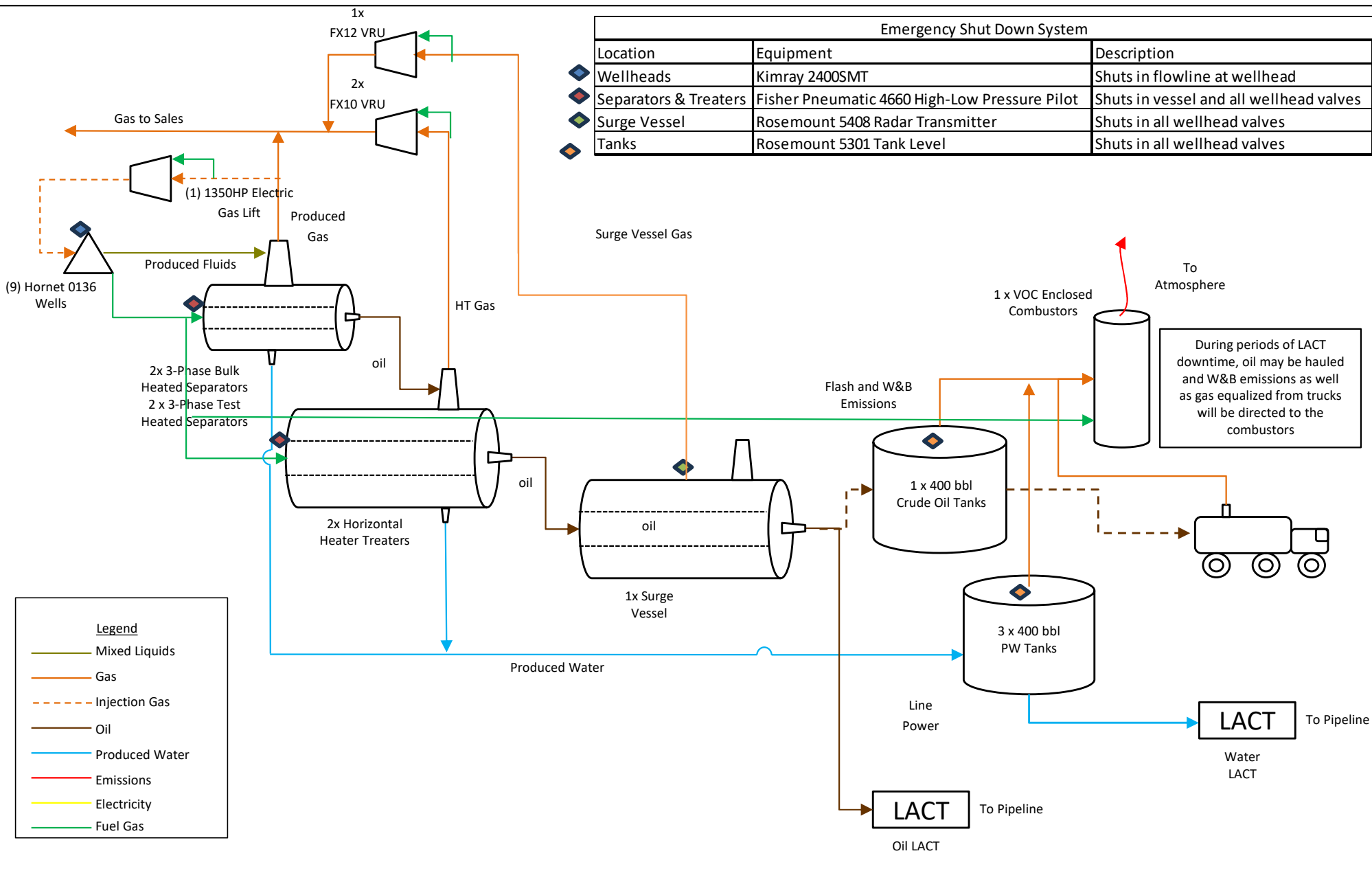


<p>Verdad Resources 1125 17thstreet Suite 550 Denver, CO 80202</p>	<p>PRELIMINARY FLOWBACK EQUIPMENT LAYOUT DRAWING</p> <p>Hornet 0136 NWNW SECTION 6 08N 60W 6PM</p>	<p>40.690195deg N -104.141408deg E</p>	<p>NOT TO SCALE</p>	<p>Temp Flowback</p>
--	--	--	-------------------------	---------------------------------

- 1502 flowlines —>
- OIL —>
- H2O —>
- Gas & Oil to Facility —>
- Gas —>
- ESD Lines



Verdad Resources LLC
 1125 17th Street, Suite 550
 Denver, CO 80202

Drawn By: NH

Reviewed By:

Date: 04/11/2023

Scale: Not to Scale

Title:

Production Process Flow Diagram
 Hornet 0136 Pad
 NW 1/4, SW 1/4 Sec 6 T8N R61W
 Weld County, Colorado