

T4S, R96W, 6th P.M.

Caerus Oil & Gas LLC

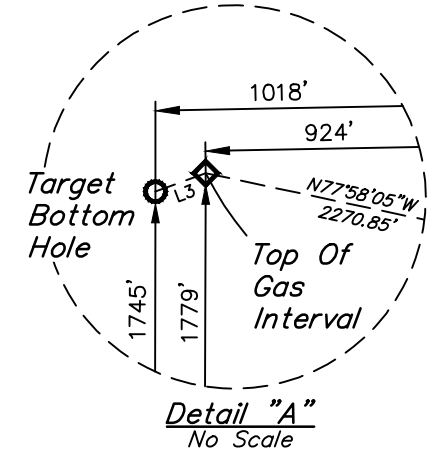
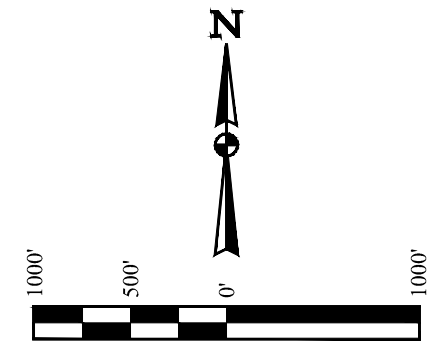
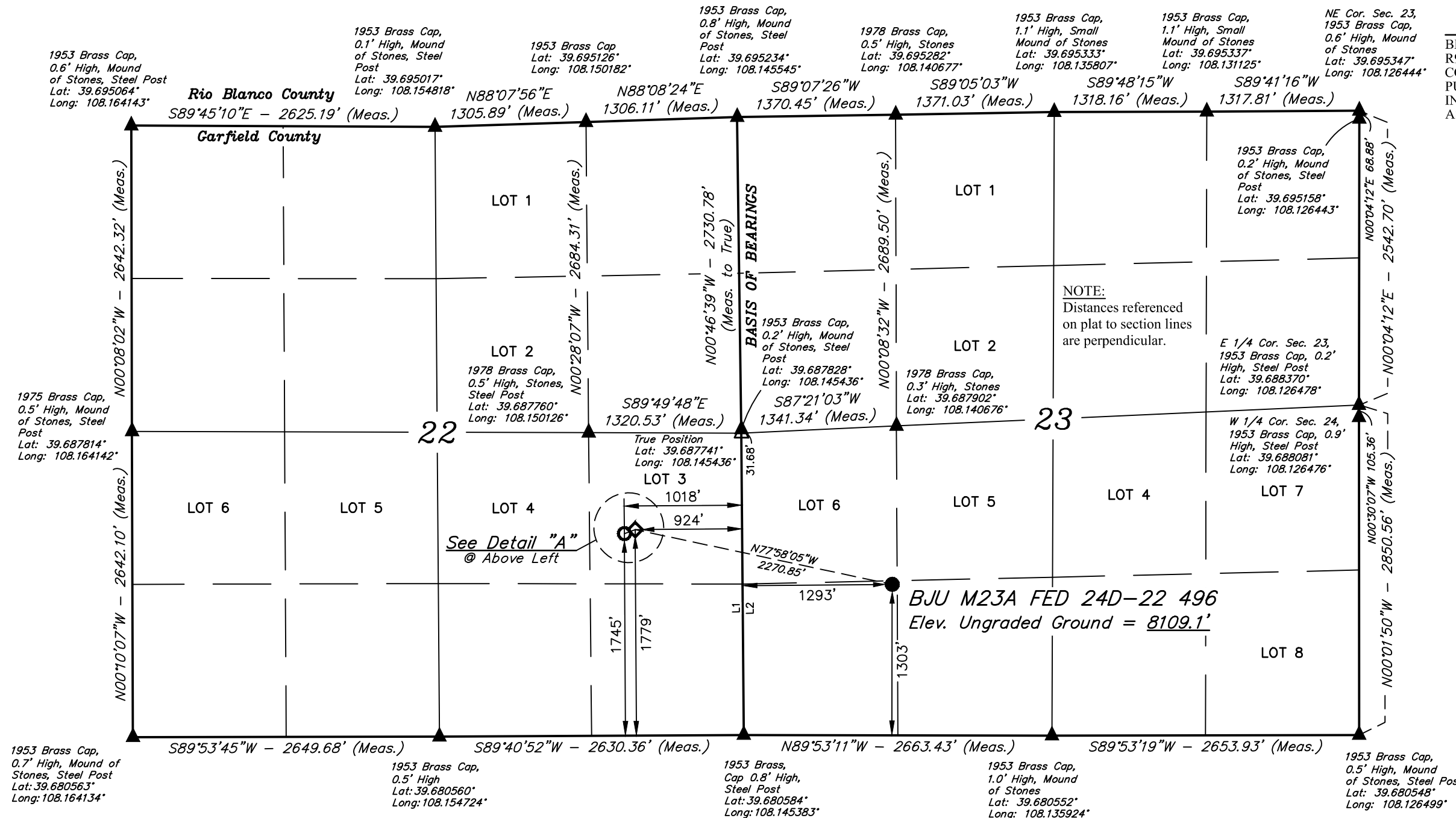
BJU M23A FED 24D-22 496
SW 1/4 SW 1/4, SECTION 23, T4S, R96W, 6th P.M.
GARFIELD COUNTY, COLORADO

BASIS OF BEARINGS

BEARINGS ARE BASED ON THE ASSUMPTION THAT THE WEST LINE OF THE NORTHWEST 1/4 OF SECTION 23 BEARS N00°46'39"W. MONUMENTS DESCRIBED HEREON.

BASIS OF ELEVATION

BENCH MARK (H79) LOCATED IN THE NE 1/4 OF SECTION 35, T4S, R98W, 6th P.M., TAKEN FROM THE BULL FORK QUADRANGLE, COLORADO, 7.5 MINUTE SERIES. (TOPOGRAPHIC MAP) PUBLISHED BY THE UNITED STATES DEPARTMENT OF THE INTERIOR, GEOLOGICAL SURVEY. SAID ELEVATION IS MARKED AS BEING 8535 FEET.



- LEGEND:**
- = PROPOSED WELLHEAD.
 - ◆ = TOP OF GAS INTERVAL.
 - = TARGET BOTTOM HOLE.
 - ▲ = SECTION CORNERS LOCATED. (NAD 83)
 - △ = SECTION CORNERS RE-ESTABLISHED. (Not Set on Ground.) (NAD 83)

LINE TABLE			
LINE	DIRECTION	LENGTH	Description
L1	N00°27'48"W	2608.13'	(Meas. to True)
L2	N00°27'48"W	2639.81'	(Meas. to W.C.)
L3	S69°51'09"W	100.09'	(TGI to TBH)

NAD 83 (SURFACE LOCATION)	NAD 83 (TOP OF GAS INTERVAL)	NAD 83 (TARGET BOTTOM HOLE)
LATITUDE = 39°41'02.92" (39.684145°)	LATITUDE = 39°41'07.65" (39.685458°)	LATITUDE = 39°41'07.31" (39.685364°)
LONGITUDE = 108°08'26.94" (108.140817°)	LONGITUDE = 108°08'55.32" (108.148701°)	LONGITUDE = 108°08'56.53" (108.149035°)
NAD 27 (SURFACE LOCATION)	NAD 27 (TOP OF GAS INTERVAL)	NAD 27 (TARGET BOTTOM HOLE)
LATITUDE = 39°41'03.01" (39.684169°)	LATITUDE = 39°41'07.74" (39.685483°)	LATITUDE = 39°41'07.40" (39.685389°)
LONGITUDE = 108°08'24.65" (108.140181°)	LONGITUDE = 108°08'53.03" (108.148065°)	LONGITUDE = 108°08'54.24" (108.148399°)
UTM NAD 27 (ZONE 12)	UTM NAD 27 (ZONE 12)	UTM NAD 27 (ZONE 12)
N: 14423871.82' E: 2445072.56'	N: 14424279.52' E: 2442838.79'	N: 14424242.29' E: 2442745.90'

PDOP = 1.4

CERTIFICATE OF ACCURACY
 THIS IS TO CERTIFY THAT THE ABOVE PLAT WAS PREPARED AND THE LOCATION AS SHOWN WAS STAKED ON THE GROUND FROM FIELD NOTES OF ACTUAL SURVEYS MADE BY ME OR UNDER MY SUPERVISION AND THAT THE SAME ARE TRUE AND CORRECT TO THE BEST OF MY KNOWLEDGE AND BELIEF.

Harold Marshall
 REGISTERED LAND SURVEYOR
 REGISTRATION NO. 19180
 STATE OF COLORADO 01-10-23

REV: 3 01-10-23 T.L.L. (SHL, TGI & BHL MOVES)

UINTEAH
 ENGINEERING & LAND SURVEYING

UELS, LLC
 Corporate Office * 85 South 200 East
 Vernal, UT 84078 * (435) 789-1017

SURVEYED BY	DAYTON SLAUGH, B.H.	05-27-20	SCALE
DRAWN BY	T.L.L.	06-11-20	1" = 1000'

WELL LOCATION PLAT