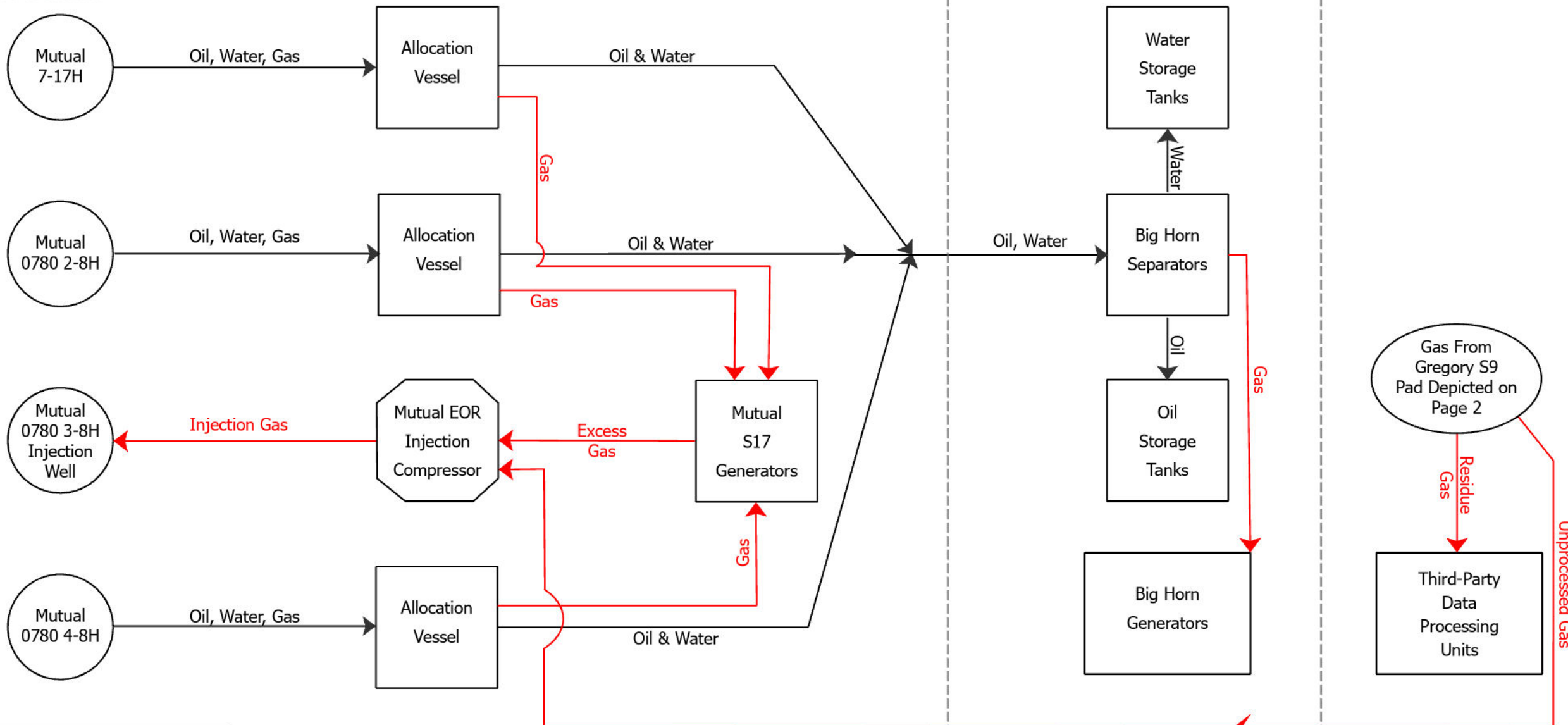


Mutual EOR Project

Flow Diagram - Page 1

10/12/2022

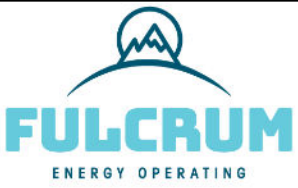


NORTH PARK ENGINEERING & CONSULTING, INC.
P.O. BOX 395
WALDEN, CO 80480
(970) 723-3725
DRAWING COMPLETION: 10/12/2022
DRAWN BY: ADL CHECKED BY: RRM

Mutual S17 Pad

Big Horn S17 CTB

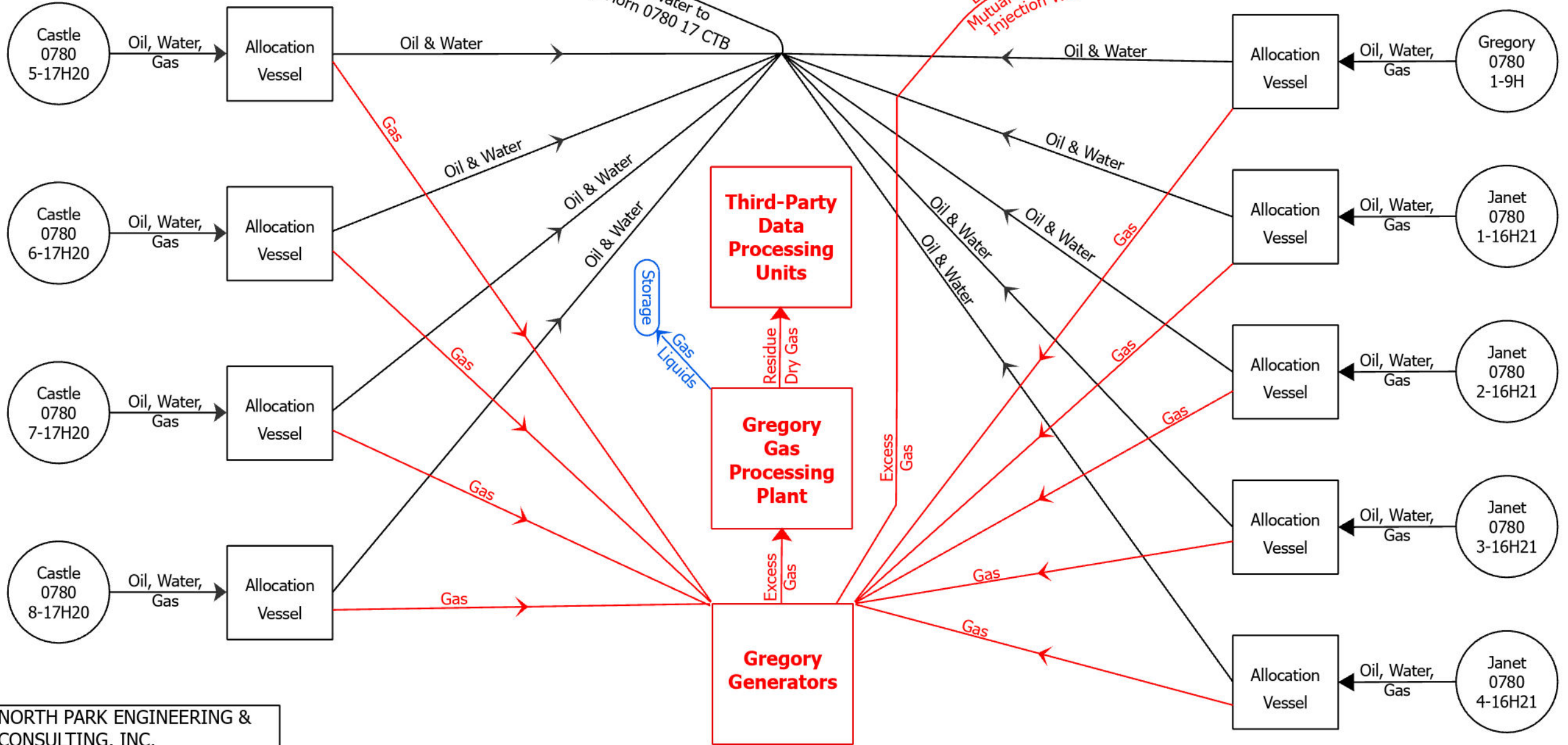
Gregory S9 Pad



Mutual EOR Project

Flow Diagram - Page 2

10/12/2022



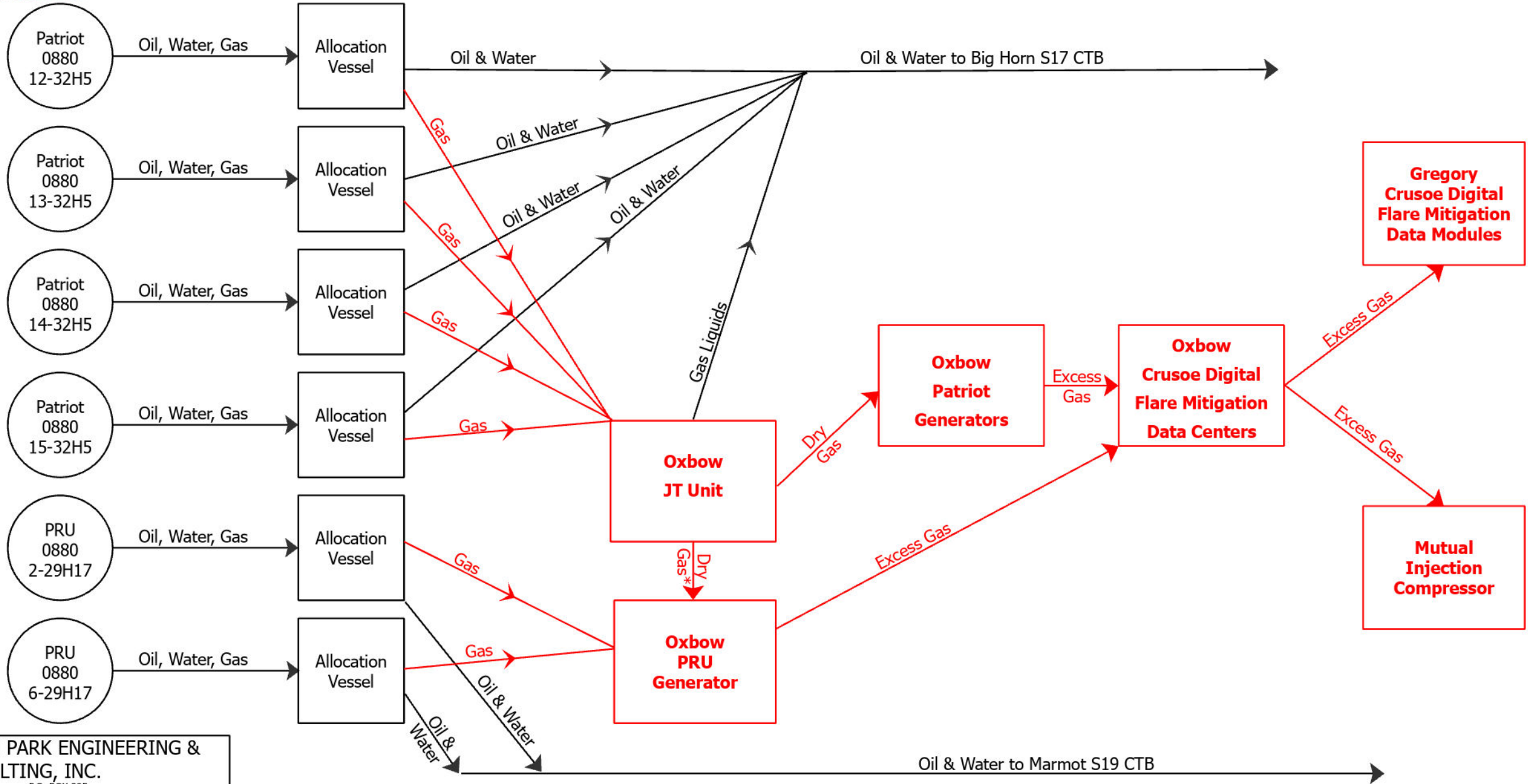
NORTH PARK ENGINEERING & CONSULTING, INC.
P.O. BOX 395
WALDEN, CO 80480
(970) 723-3725
DRAWING COMPLETION: 10/12/2022
DRAWN BY: ADL CHECKED BY: RRM

Gregory S9 Pad



Oxbow 0880 S29

Flow Diagram
10/12/2022



NORTH PARK ENGINEERING & CONSULTING, INC.
 P.O. BOX 395
 WALDEN, CO 80480
 (970) 723-3725
 DRAWING COMPLETION: 10/12/2022
 DRAWN BY: ADL CHECKED BY: RRM

* Dry Gas delivered from Oxbow JT Unit to Oxbow PRU Generator (if any) would be purchased at 30 cents per MCF