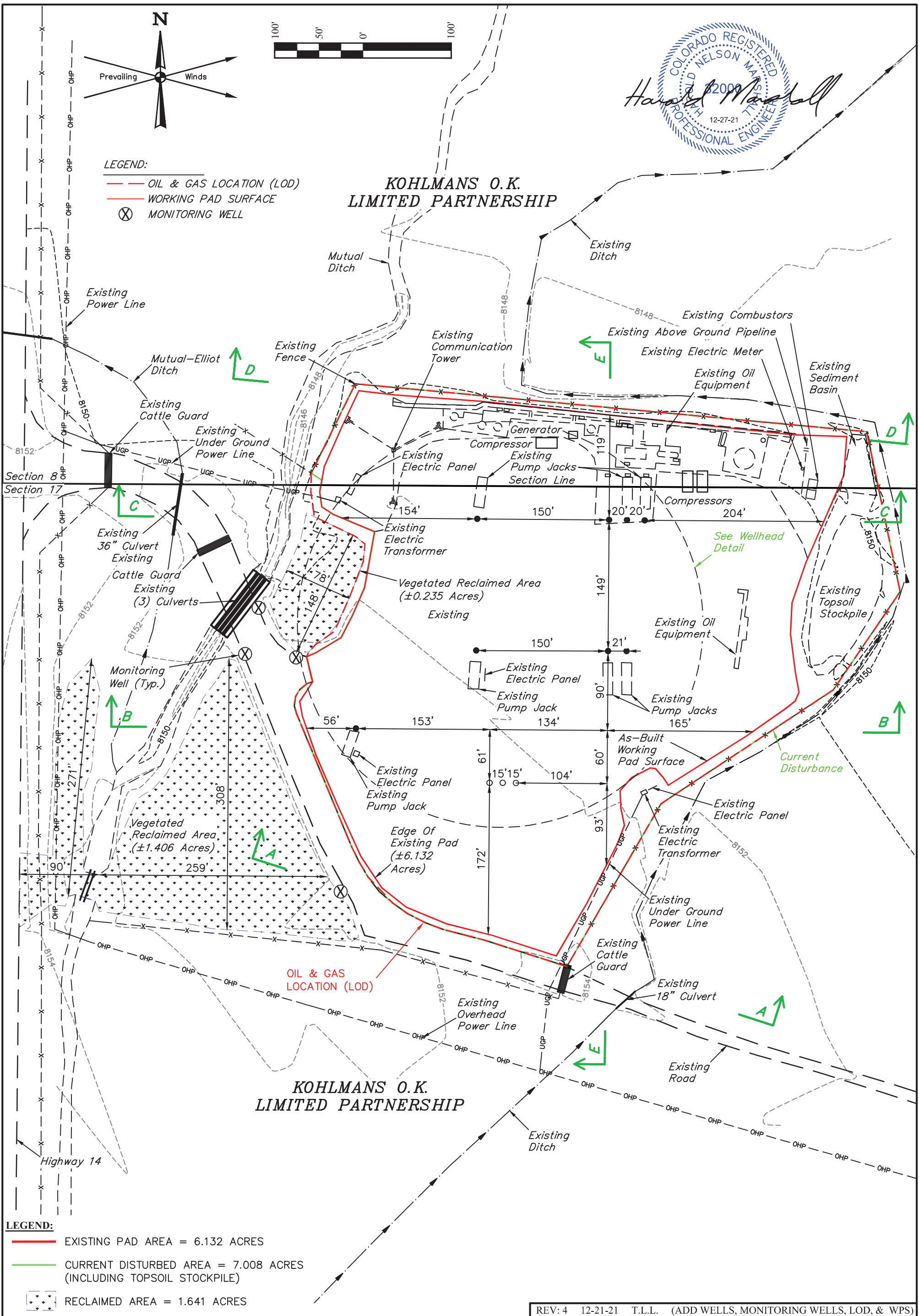


LEGEND:

- OIL & GAS LOCATION (LOD)
- WORKING PAD SURFACE
- ⊗ MONITORING WELL

KOHLMANS O.K. LIMITED PARTNERSHIP



LEGEND:

- EXISTING PAD AREA = 6.132 ACRES
- CURRENT DISTURBED AREA = 7.008 ACRES (INCLUDING TOPSOIL STOCKPILE)
- RECLAIMED AREA = 1.641 ACRES

NOTES:

• Contours shown at 2' intervals.

REV: 4 12-21-21 T.L.L. (ADD WELLS, MONITORING WELLS, LOD, & WPS)

D90 ENERGY, LLC

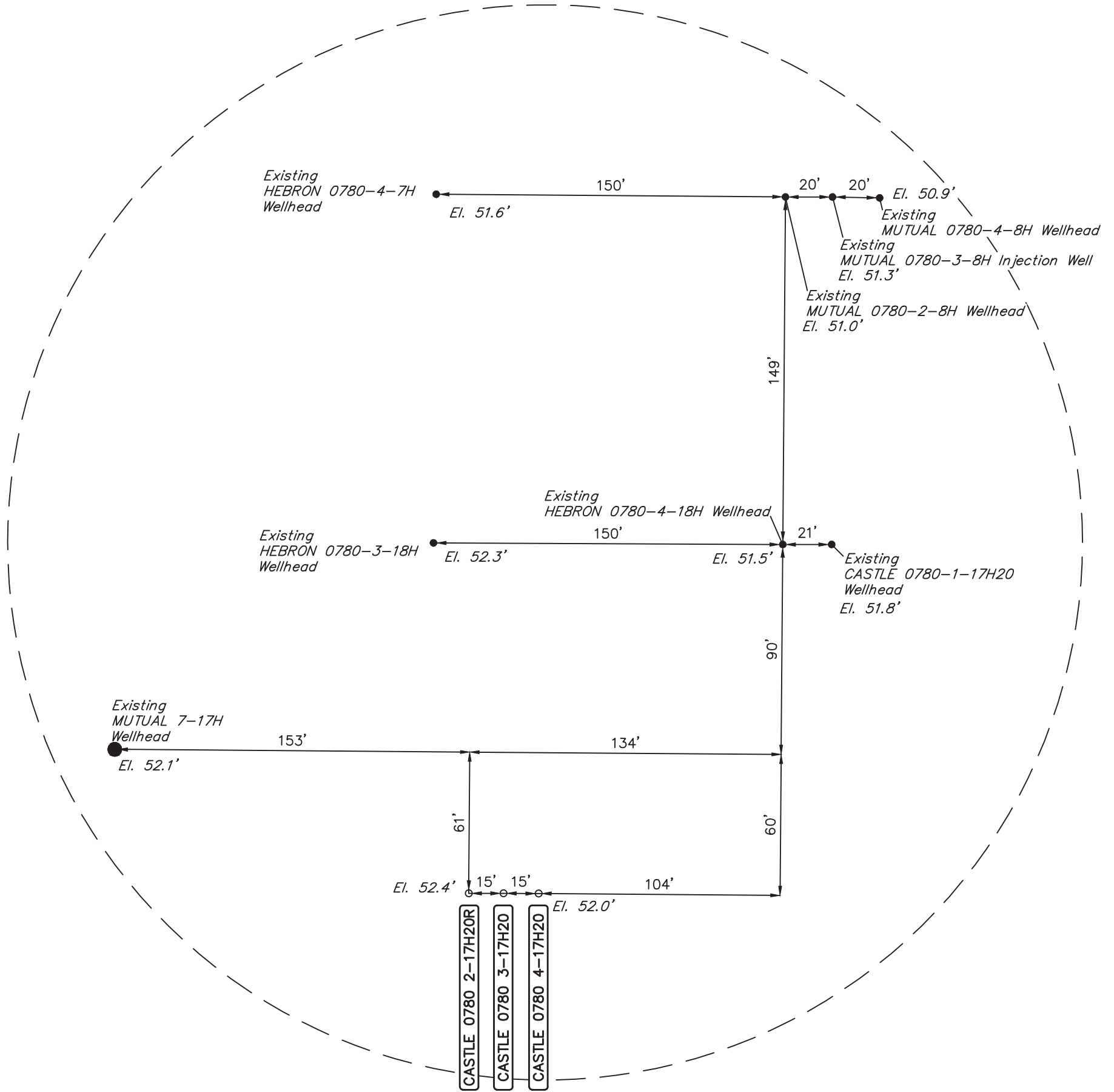
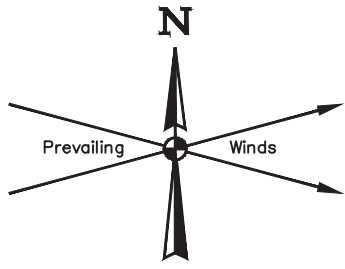
AS-BUILT MUTUAL 0780 S17 PAD
 NW 1/4 NW 1/4, SECTION 17, T7N, R80W, 6th P.M.
 SW 1/4 SW 1/4, SECTION 8, T7N, R80W, 6th P.M.
 JACKSON COUNTY, COLORADO

SURVEYED BY	CHAD MEIERS, O.R.	10-24-19	SCALE
DRAWN BY	M.D.	10-30-19	1" = 100'

AS-BUILT LAYOUT - PLAN VIEW



UELS, LLC
 Corporate Office * 85 South 200 East
 Vernal, UT 84078 * (435) 789-1017



D90 ENERGY, LLC

AS-BUILT MUTUAL 0780 S17 PAD
 NW 1/4 NW 1/4, SECTION 17, T7N, R80W, 6th P.M.
 SW 1/4 SW 1/4, SECTION 8, T7N, R80W, 6th P.M.
 JACKSON COUNTY, COLORADO

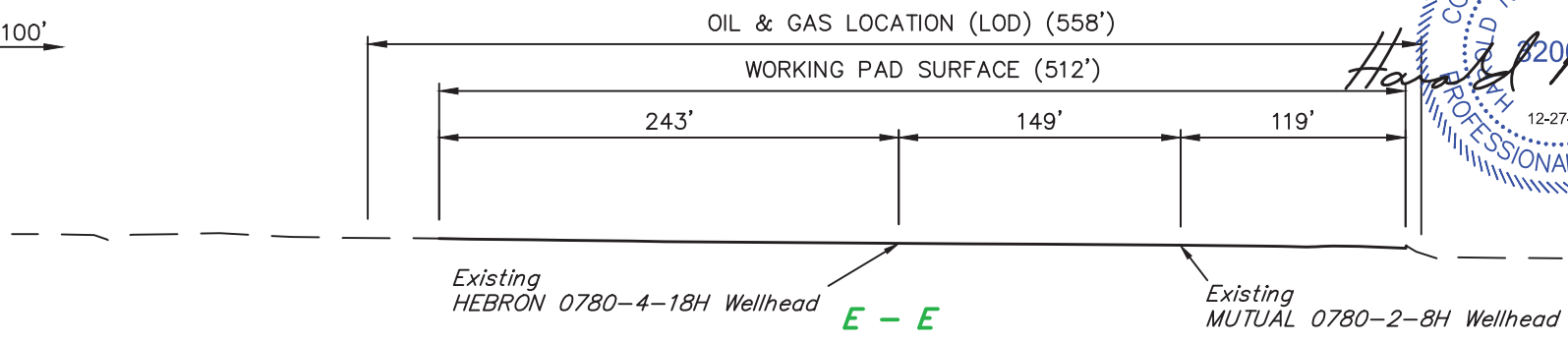
SURVEYED BY	CHAD MEIERS, O.R.	12-17-21	SCALE
DRAWN BY	T.L.L.	12-21-21	1" = 50'

WELLHEAD DETAIL

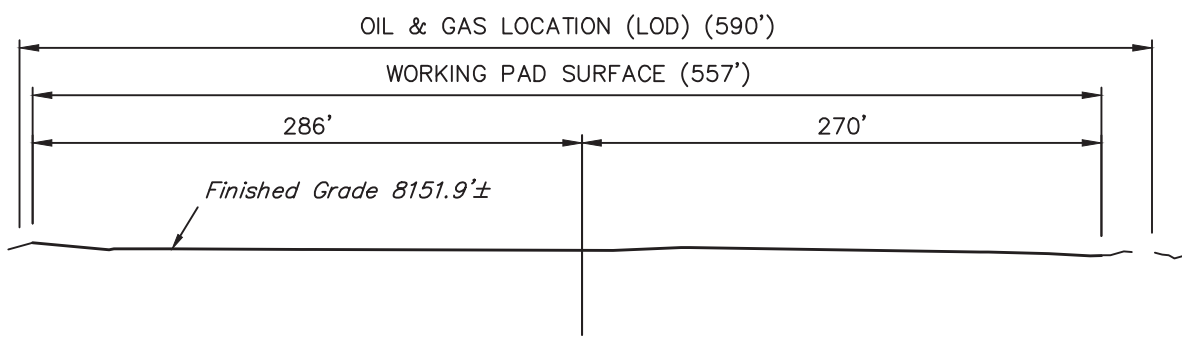


UELS, LLC
 Corporate Office * 85 South 200 East
 Vernal, UT 84078 * (435) 789-1017

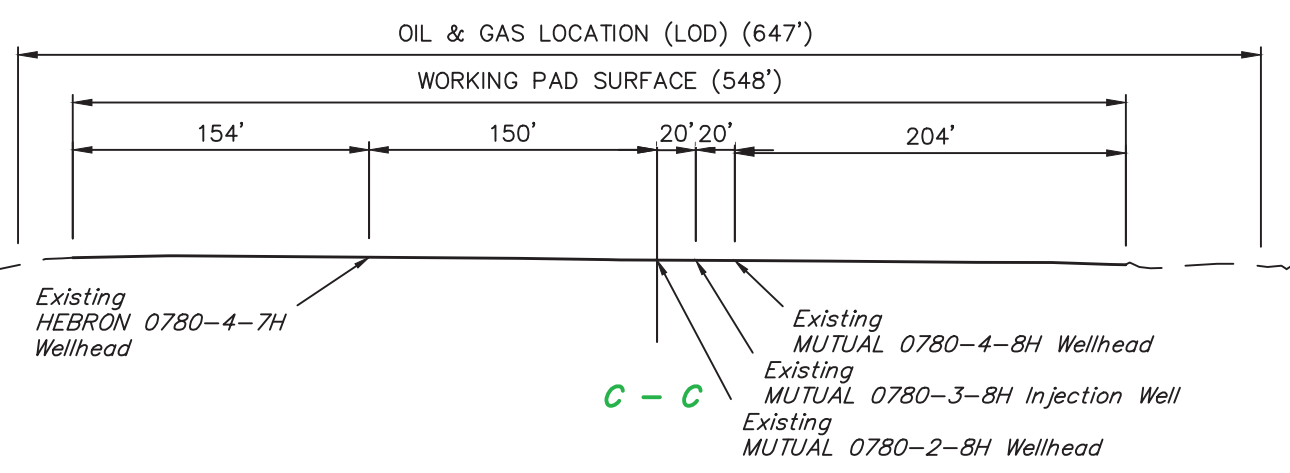
1" = 40'
X-Section
Scale
1" = 100'



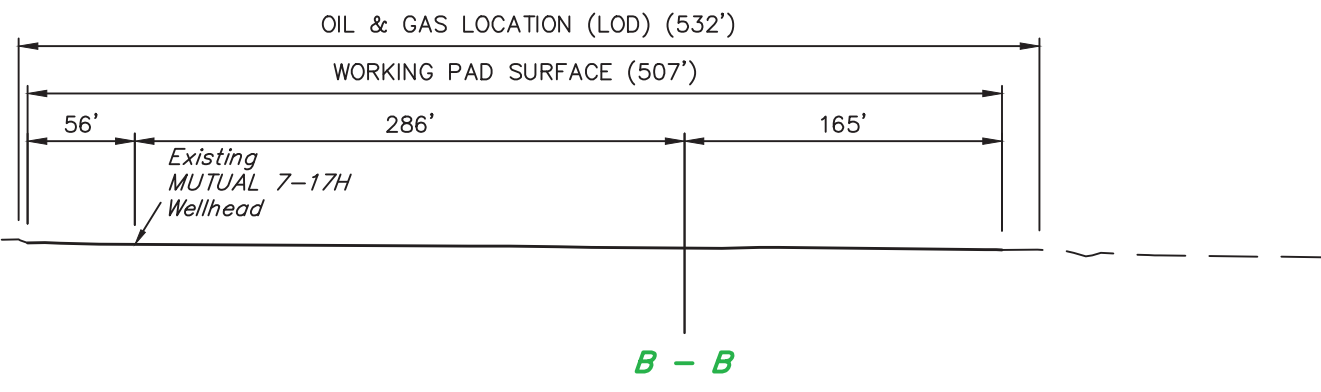
E - E



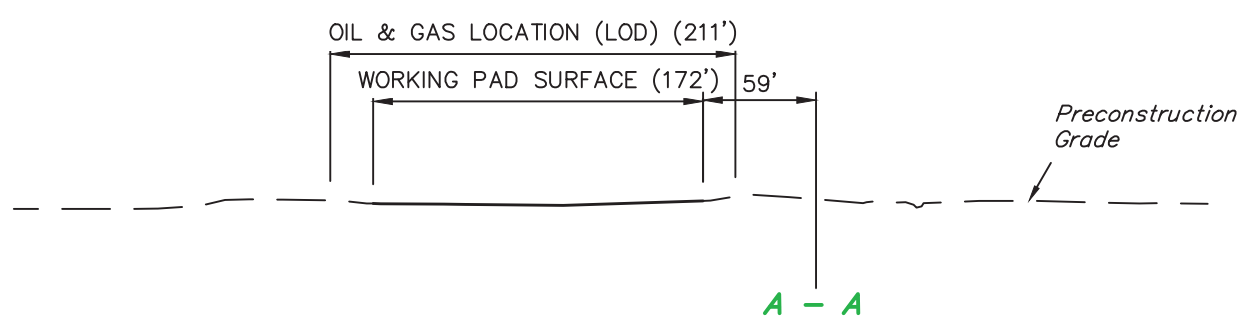
D - D



C - C



B - B



A - A

APPROXIMATE SURFACE DISTURBANCE AREAS		
	DISTANCE	ACRES
WORKING PAD SURFACE DISTURBANCE	NA	±6.132
EXISTING CONSTRUCTION DISTURBANCE	NA	±0.938
TOTAL OIL & GAS LOCATION (LOD)		±7.070

D90 ENERGY, LLC

AS-BUILT MUTUAL 0780 S17 PAD
NW 1/4 NW 1/4, SECTION 17, T7N, R80W, 6th P.M.
SW 1/4 SW 1/4, SECTION 8, T7N, R80W, 6th P.M.
JACKSON COUNTY, COLORADO

SURVEYED BY	CHAD MEIERS, O.R.	12-17-21	SCALE
DRAWN BY	T.L.L.	12-21-21	AS SHOWN

AS-BUILT LAYOUT - CROSS SECTIONS



UELS, LLC
Corporate Office * 85 South 200 East
Vernal, UT 84078 * (435) 789-1017