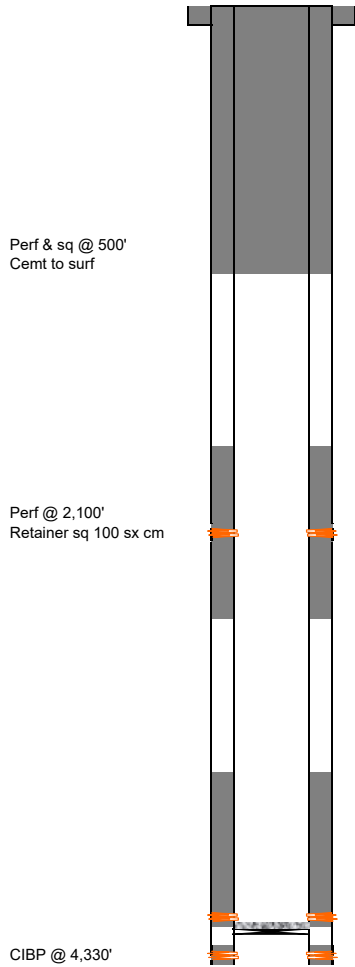


MAGPIE OPERATING INC.



**Srf Csg** 12 1/4" hole, 8 5/8" J55, 23# @ 200'  
**Cmt** 10 sx, TOC @ surf

General Well Info		Updated: 5/27/2021	
<b>Well Name:</b>	Stugart #2	<b>Field:</b>	LOVELAND - #52000
<b>Srf Location:</b>	NENW 30 5N 68W6	<b>County:</b>	LARIMER #069
<b>Lease #<sub>(BLM)</sub>:</b>	N/A	<b>State:</b>	CO
<b>API #:</b>	05-069-06168	<b>Spud Date:</b>	12/15/1982
<b>GL Elev:</b>		<b>TD Date:</b>	12/22/1982
<b>KB Elev:</b>		<b>Compl Date:</b>	7/23/1983
Formation Tops			
Zone	Depth	Zone	Depth
PARKMAN		680' NIOBRARA	4,380'
SUSSEX		1,355' TIMPAS	4,690'
SHANNON		1,740' CODELL	4,710'