

HISTORICAL Adobe 14-14

Cheyenne County, CO

API # 05-017-07547
SESW 14 13S 51W 6 PM

UPDATED 6/29/15 By TA Pagano

GL = 4755

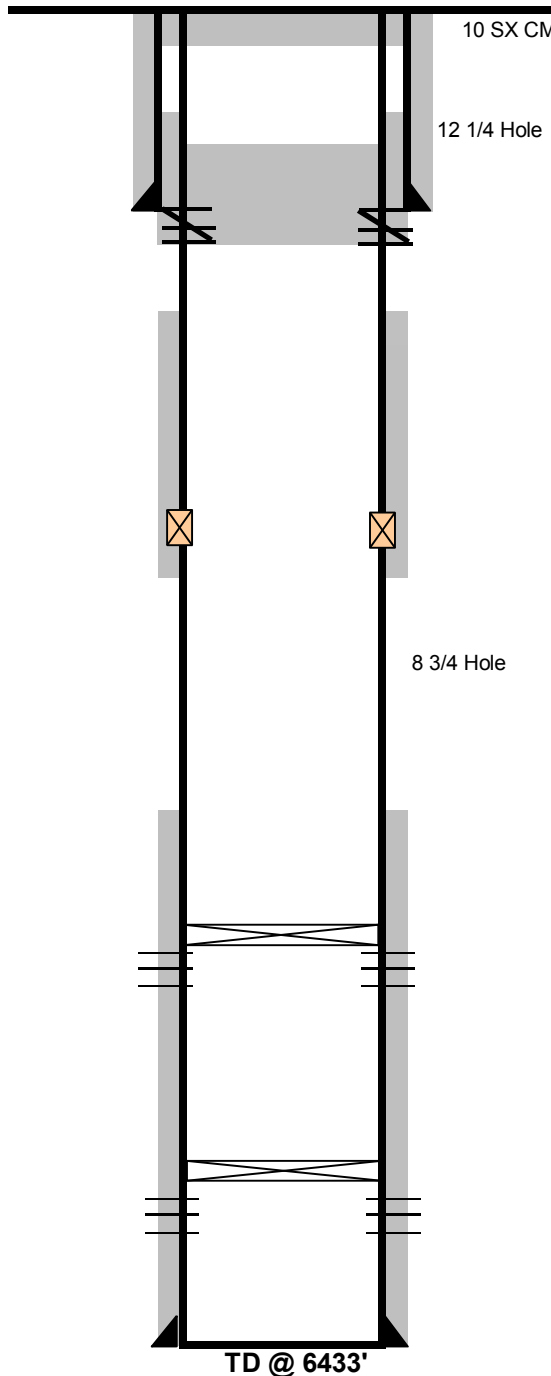
KB = 4765'

KB = 10.0'

PLUG DATE DATE: 4/1997

PRODUCTION STRING

Not Applicable



10 SX CMT FROM 74 TO SURFACE

SURFACE CASING

12 1/4 Hole 9 5/8" 36# @ 357'
CMT with 190 SX
TOC @ Surface

SQUEEZE PERFS AT 370'
SQUEEZE WITH 40 SX

PRODUCTION CASING

5 1/2" 17# to 6433'
CMT with 565 SX 1ST STAGE
AND 165 SX 2ND STAGE
From DV tool at 2758
TOC @ 5050'

CIBP @ 5400'

Marmaton Perfs

5443-5448'

CIBP @ 6100'

Morrow Perfs

6207-6211

TD @ 6433'

Proposed Adobe 14-14

Cheyenne County, CO

API # 05-017-07547
SESW 14 13S 51W 6 PM

UPDATED 6/29/15 By TA Pagano

GL = 4755

KB = 4765'

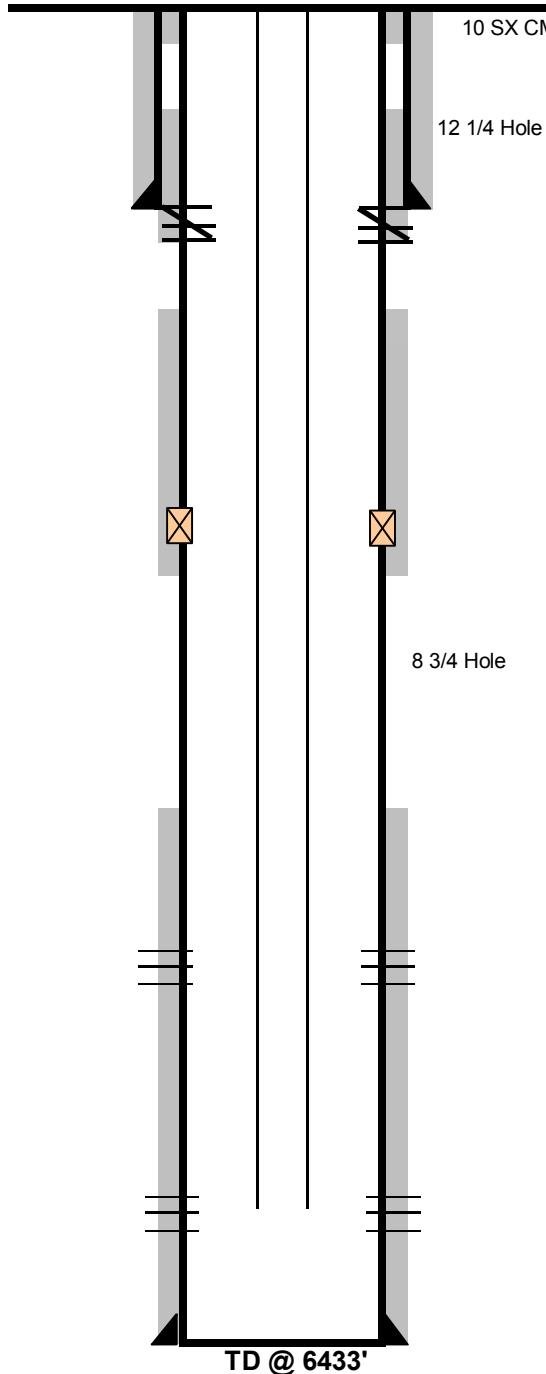
KB = 10.0'

PLUG DATE DATE: 4/1997

PRODUCTION STRING

2 7/8" 6.4# N-80,

Landed at 6207'



10 SX CMT FROM 74 TO SURFACE

SURFACE CASING

12 1/4 Hole 9 5/8" 36# @ 357'
CMT with 190 SX
TOC @ Surface

SQUEEZE PERFS AT 370'
SQUEEZE WITH 40 SX

PRODUCTION CASING

8 3/4 Hole 5 1/2" 17# to 6433'
CMT with 565 SX 1ST STAGE
AND 165 SX 2ND STAGE
From DV tool at 2758
TOC @ 5050'

Marmaton Perfs

5443-5448'

Morrow Perfs

6207-6211

TD @ 6433'