

CONSTRUCT DIVERSION DITCH (TYP.)

Edge of Existing Disturbance

Total Drilling Pit Capacity
Total Pit Volume
= 8,000 Cu. Yds.

SWMP LEGEND:

- SL - SLASH
- ST - SEDIMENT TRAP
- W - WATTLE

FINISHED GRADE ELEVATION = 5808.0'

REV: 5 01-02-19 T.L.L. (NAME CHANGE)

NOTES:

- Round corners at 35' radius or as needed.
- Contours shown at 2' intervals.
- Cut/Fill slopes 1 1/2:1 (Typ. except where noted).
- Underground utilities shown on this sheet are for visualization purposes only, actual locations to be determined prior to construction.

TEP Rocky Mountain LLC

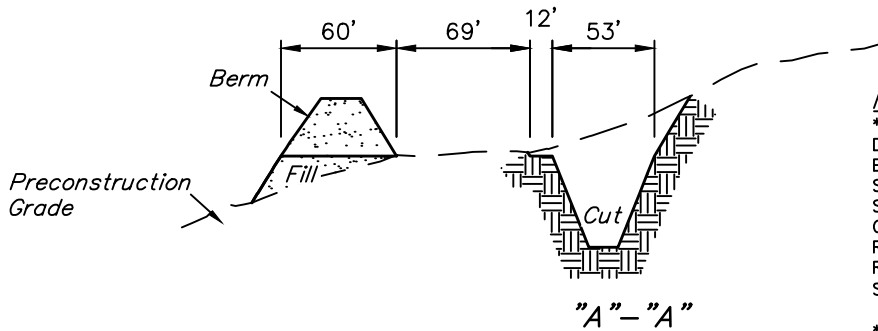
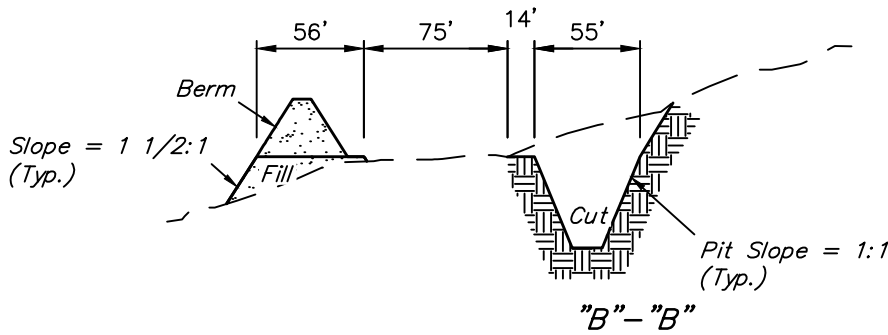
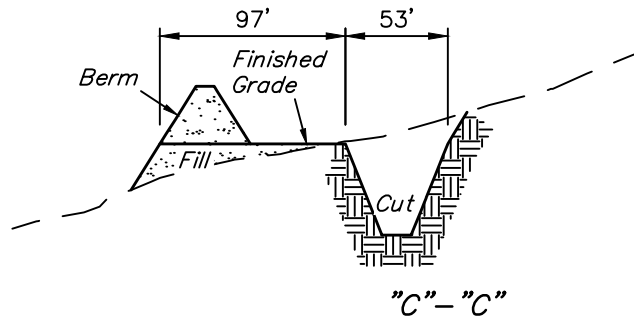
**RWF 44-18 DRILLING PIT
SECTION 18, T6S, R94W, 6th P.M.
GARFIELD COUNTY, COLORADO**



UELS, LLC
Corporate Office * 85 South 200 East
Vernal, UT 84078 * (435) 789-1017

SURVEYED BY	BART HUNTING, C.R.	02-15-18	SCALE
DRAWN BY	T.L.L.	02-27-18	1" = 60'
CONSTRUCTION LAYOUT			PLAT #1

X-Section Scale
1" = 100'



NOTE:

*1. 1:1 SLOPE WILL REQUIRE A RETAINING WALL DESIGN. IT IS RECOMMENDED THAT A GEOTECHNICAL ENGINEER BE CONTACTED TO PERFORM A SUBSURFACE SITE INVESTIGATION. UPON COMPLETION OF THE SUBSURFACE INVESTIGATION CONTACT UELS TO PROVIDE CONSTRUCTION DETAILS AND PLANS TO CONSTRUCT A RETAINING WALL. RETAINING WALL OPTIONS MAY INCLUDE: CONCRETE STEMWALL, USE WALL, SOIL TIEBACKS (NAILS).

*2. A GEOTECHNICAL ENGINEER SHALL PERFORM A SITE INVESTIGATION TO VERIFY THAT THE NATIVE MATERIAL WILL BE STABLE AT A 1:1 CUT/FILL SLOPES.

APPROXIMATE EARTHWORK QUANTITIES	
(6") TOPSOIL STRIPPING	960 Cu. Yds.
REMAINING LOCATION	3,420 Cu. Yds.
DRILLING PIT	8,000 Cu. Yds.
TOTAL CUT	12,380 Cu. Yds.
FILL	3,420 Cu. Yds.
EXCESS MATERIAL	8,960 Cu. Yds.
TOPSOIL & DRILLING PIT BACKFILL	8,960 Cu. Yds.
EXCESS UNBALANCE (After Interim Rehabilitation)	0 Cu. Yds.

APPROXIMATE SURFACE DISTURBANCE AREAS		
	DISTANCE	ACRES
WELL SITE DISTURBANCE OUTSIDE EXISTING DISTURBANCE	NA	±0.016
WELL SITE DISTURBANCE WITHIN EXISTING DISTURBANCE	NA	±2.486
TOTAL SURFACE USE AREA		±2.502

REV: 5 01-02-19 T.L.L. (NAME CHANGE)

NOTES:

- Fill quantity includes 5% for compaction.
- Calculations based on 6" of topsoil stripping.
- Cut/Fill slopes 1 1/2:1 (Typ. except where noted).

TEP Rocky Mountain LLC

**RWF 44-18 DRILLING PIT
SECTION 18, T6S, R94W, 6th P.M.
GARFIELD COUNTY, COLORADO**



UELS, LLC
Corporate Office * 85 South 200 East
Vernal, UT 84078 * (435) 789-1017

SURVEYED BY	BART HUNTING, C.R.	02-15-18	SCALE
DRAWN BY	T.L.L.	02-27-18	AS SHOWN
CONSTRUCTION LAYOUT CROSS SECTIONS			PLAT #2