

LEGEND:

- = 90° SYMBOL
- = PROPOSED WELLHEAD.
- ◆ = TOP OF GAS INTERVAL.
- = TARGET BOTTOM HOLE.
- ▲ = SECTION CORNERS LOCATED. (NAD 83)

T5S, R96W, 6th P.M.

1917 Brass Cap
2.5' High
Lat: 39.636808°
Long: 108.183536°

1917 Brass Cap
2.0' High
Lat: 39.636814°
Long: 108.174164°

1917 Brass Cap
2.3' High
Lat: 39.636808°
Long: 108.164797°

1917 Brass Cap
1.5' High, Wooden
Post, Pile of Stones
Lat: 39.629581°
Long: 108.183528°

1917 Brass Cap
2.5' High, Mound
of Stones
Lat: 39.629583°
Long: 108.164786°

1917 Brass Cap
1.7' High,
Lat: 39.622329°
Long: 108.183516°

1917 Brass Cap
1.7' High
Lat: 39.622329°
Long: 108.174151°

1917 Brass Cap
2.0' High, Pine Post
Lat: 39.622332°
Long: 108.164769°

1917 Brass Cap
1.3' High
Lat: 39.615087°
Long: 108.183503°

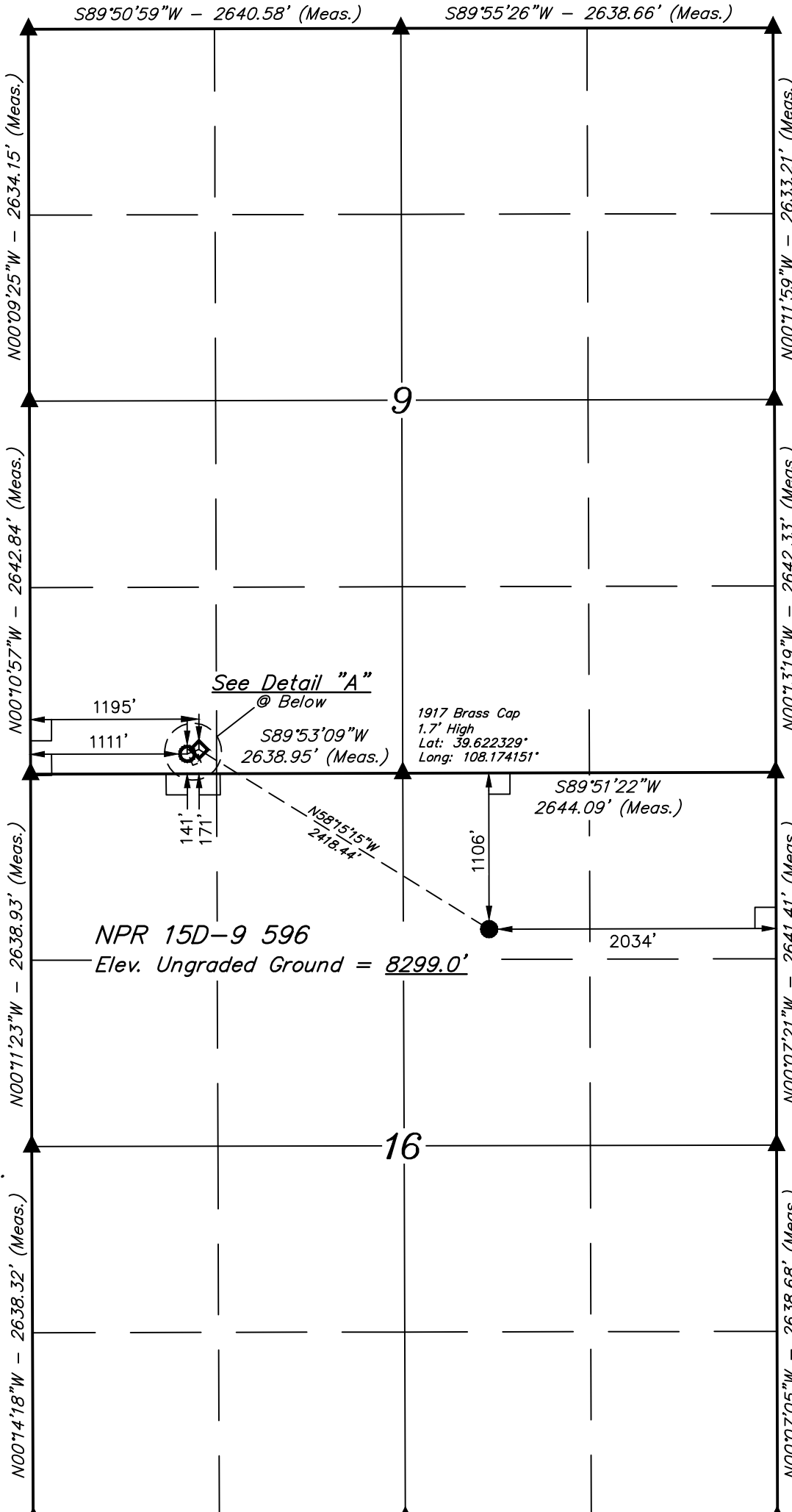
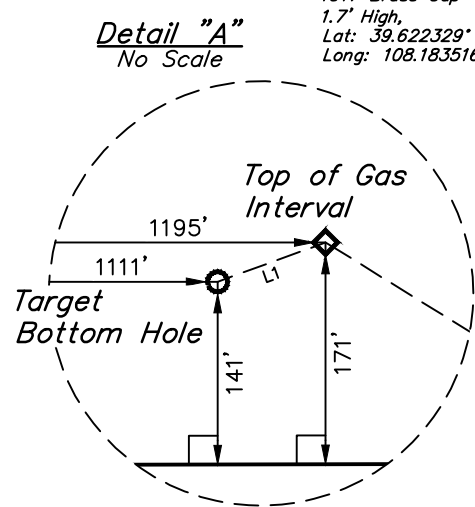
1917 Brass Cap
0.7' High
Lat: 39.615083°
Long: 108.164769°

1917 Brass Cap
0.8' High, Steel Post
Lat: 39.607847°
Long: 108.183482°

1917 Brass Cap
2.5' High
Lat: 39.607847°
Long: 108.174126°

1917 Brass Cap
1.6' High, Rebar
Lat: 39.607842°
Long: 108.164770°

LINE TABLE		
LINE	DIRECTION	LENGTH
L1	S70°00'05"W	88.77'



PDOP = 2.2

NAD 83 (SURFACE LOCATION)	
LATITUDE = 39°37'09.46" (39.619296)	LONGITUDE = 108°10'19.16" (108.171988)
NAD 27 (SURFACE LOCATION)	
LATITUDE = 39°37'09.55" (39.619319)	LONGITUDE = 108°10'16.86" (108.171351)
UTM NAD 27 (ZONE 12)	
N: 14399975.58 E: 2437045.71	
NAD 83 (TOP OF GAS INTERVAL)	NAD 83 (TARGET BOTTOM HOLE)
LATITUDE = 39°37'22.08" (39.622799)	LATITUDE = 39°37'21.78" (39.622716)
LONGITUDE = 108°10'45.39" (108.179276)	LONGITUDE = 108°10'46.46" (108.179573)
NAD 27 (TOP OF GAS INTERVAL)	NAD 27 (TARGET BOTTOM HOLE)
LATITUDE = 39°37'22.16" (39.622823)	LATITUDE = 39°37'21.86" (39.622740)
LONGITUDE = 108°10'43.10" (108.178639)	LONGITUDE = 108°10'44.17" (108.178935)
UTM NAD 27 (ZONE 12)	
N: 14401186.87 E: 2434952.75	



CERTIFICATE OF SURVEY

THIS IS TO CERTIFY THAT THE ABOVE PLAT WAS PREPARED AND THE LOCATION AS SHOWN WAS STAKED ON THE GROUND FROM FIELD NOTES OF ACTUAL SURVEYS MADE BY ME OR UNDER MY SUPERVISION AND THAT THE SAME ARE TRUE AND CORRECT TO THE BEST OF MY KNOWLEDGE AND BELIEF.

Handwritten Signature

REGISTERED LAND SURVEYOR
REGISTRATION NO. 19180
STATE OF COLORADO 08-05-18

BASIS OF BEARINGS

BEARINGS ARE A BASED ASSUMPTION THAT THE EAST LINE OF THE NORTHEAST 1/4 OF SECTION 16 BEARS N00°07'21"W. MONUMENTS DESCRIBED HEREON.

BASIS OF ELEVATION

BENCH MARK (H79) LOCATED IN THE NE 1/4 OF SECTION 35, T4S, R98W, 6th P.M. TAKEN FROM THE BULL FORK QUADRANGLE, COLORADO, 7.5 MINUTE SERIES (TOPO GRAPHICAL MAP) PUBLISHED BY THE UNITED STATES DEPARTMENT OF THE INTERIOR, GEOLOGICAL SURVEY. SAID ELEVATION IS MARKED AS BEING 8535 FEET.

UELS, LLC

Corporate Office * 85 South 200 East
Vernal, UT 84078 * (435) 789-1017



Caerus Oil & Gas LLC

NPR 15D-9 596
NW 1/4 NE 1/4, SECTION 16, T5S, R96W, 6th P.M.
GARFIELD COUNTY, COLORADO

SURVEYED BY	BART HUNTING, D.P.	03-20-18	SCALE
DRAWN BY	T.S.	08-14-18	1" = 1000'

WELL LOCATION PLAT