

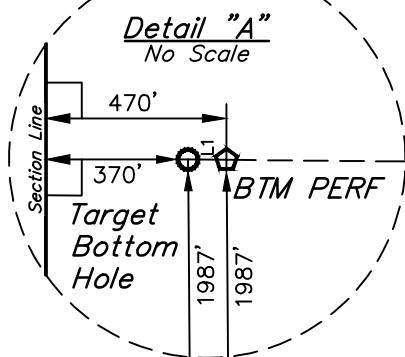
T3N, R68W, 6th P.M.

GREAT WESTERN OPERATING COMPANY

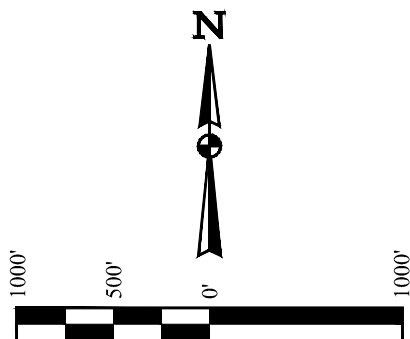
POSTLE IC 09-259HC
SW 1/4 NW 1/4, SECTION 11, T3N, R68W, 6th P.M.
WELD COUNTY, COLORADO

BASIS OF BEARINGS
BASIS OF ELEVATION

USGS COOPERATIVE BASE NETWORK CONTROL STATION,
DESIGNATION 'VERMILYEA'. NGS DATA SHEET LISTS THE
NAVD 88 ELEVATION AS BEING 5026 FEET

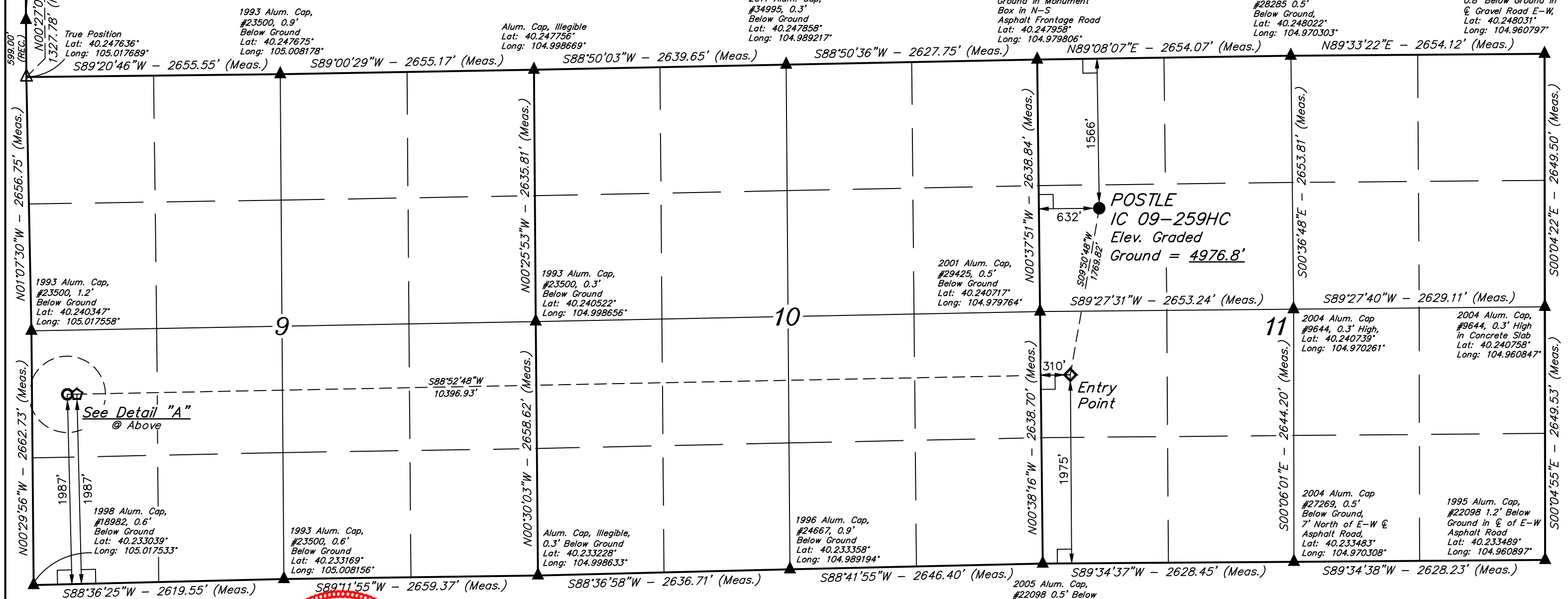


LINE TABLE		
LINE	DIRECTION	LENGTH
L1	S88°52'48"W	100.01'



NW Cor. SW 1/4
SW 1/4, Sec. 4,
1996 Alum. Cap,
#23500, 0.9'
Below Ground
Lat: 40.251281°
Long: 105.017697°

W.C.
1994 Alum. Cap,
#23500, 1.2'
Below Ground
Lat: 40.249281°
Long: 105.017692°



CERTIFICATE

THIS IS TO CERTIFY THAT THE ABOVE PLAT WAS PREPARED FROM THE NOTES OF ACTUAL SURVEYS MADE BY ME OR UNDER MY SUPERVISION AND THAT THE SAME ARE TRUE AND CORRECT TO THE BEST OF MY KNOWLEDGE AND BELIEF.

REGISTERED LAND SURVEYOR
REGISTRATION NO. 28285
STATE OF COLORADO

CHAD MEIERS, D.N.
28285

- LEGEND:**
- = 90° SYMBOL
 - = PROPOSED WELLHEAD.
 - = TARGET BOTTOM HOLE.
 - ◇ = ENTRY POINT.
 - ◊ = BTM PERF.
 - ▲ = SECTION CORNERS LOCATED. (NAD 83)
 - △ = SECTION CORNERS RE-ESTABLISHED. (Not Set on Ground.) (NAD 83)

NAD 83 (SURFACE LOCATION)	NAD 83 (ENTRY POINT)	NAD 83 (BTM PERF)	NAD 83 (TARGET BOTTOM HOLE)
LATITUDE = 40°14'37.23" (40.243675)	LATITUDE = 40°14'20.03" (40.238897)	LATITUDE = 40°14'18.66" (40.238517)	LATITUDE = 40°14'18.65" (40.238514)
LONGITUDE = 104°58'39.07" (104.977519)	LONGITUDE = 104°58'43.11" (104.978642)	LONGITUDE = 105°00'57.13" (105.015869)	LONGITUDE = 105°00'58.42" (105.016228)
NAD 27 (SURFACE LOCATION)	NAD 27 (ENTRY POINT)	NAD 27 (BTM PERF)	NAD 27 (TARGET BOTTOM HOLE)
LATITUDE = 40°14'37.29" (40.243692)	LATITUDE = 40°14'20.08" (40.238911)	LATITUDE = 40°14'18.72" (40.238533)	LATITUDE = 40°14'18.70" (40.238528)
LONGITUDE = 104°58'37.14" (104.976983)	LONGITUDE = 104°58'41.19" (104.978108)	LONGITUDE = 105°00'55.20" (105.015333)	LONGITUDE = 105°00'56.49" (105.015692)

PDOP = 1.3

REV: 1 06-14-17 K.B. (SL MOVE)

UINTEAH
ENGINEERING & LAND SURVEYING

WELLS, LLC
Corporate Office * 85 South 200 East
Vernal, UT 84078 * (435) 789-1017

SURVEYED BY	CHAD MEIERS, D.N.	03-15-17	SCALE
DRAWN BY	K.B.	03-28-17	1" = 1000'

WELL LOCATION PLAT