



February 23, 2018

Colorado Oil and Gas Conservation Commission
1120 Lincoln Street, Suite 801
Denver, CO 80203

RE: Proposed Wellbore Spacing Unit
Postle IC 09-222HN
Niobrara New Drill
SWNW Sec. 11, Township 3N, Range 68W, 6th P.M.
Weld County, Colorado

Dear Director,

Great Western Operating Company, LLC (Great Western) is planning to drill the above captioned well in accordance with the provisions of Colorado Oil and Gas Conservation Commission (COGCC) Rule 318A.e.

Great Western's proposed wellbore spacing unit consists of:

Township 3N, Range 68W (Weld County):
Section 11: W2W2
Section 10: all
Section 9: all

Total Acres: 1440ac

The 30 day notification time period has passed and we have not yet received any objections to such well locations or proposed spacing unit, therefore Great Western hereby requests the Director to approve the above mentioned well. Great Western respectfully requests the COGCC review the enclosed map illustrating the proposed wellbore spacing unit.

Respectfully,

Natalie Svendsen
Regulatory Analyst
Great Western Operating Company, LLC

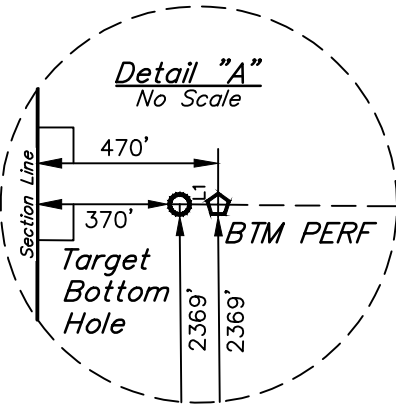
T3N, R68W, 6th P.M.

GREAT WESTERN OPERATING COMPANY

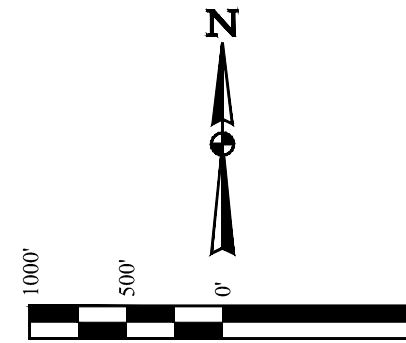
POSTLE IC 09-222HN
SW 1/4 NW 1/4, SECTION 11, T3N, R68W, 6th P.M.
WELD COUNTY, COLORADO

BASIS OF BEARINGS
BASIS OF ELEVATION

USGS COOPERATIVE BASE NETWORK CONTROL STATION,
DESIGNATION 'VERMILYEA'. NGS DATA SHEET LISTS THE
NAVD 88 ELEVATION AS BEING 5026 FEET



LINE TABLE		
LINE	DIRECTION	LENGTH
L1	S88°53'28"W	100.01'



NW Cor. SW 1/4
SW 1/4, Sec. 4,
1996 Alum. Cap,
#23500, 0.9'
Below Ground
Lat: 40.251281°
Long: 105.017697°

W.C.
1994 Alum. Cap,
#23500, 1.2'
Below Ground
Lat: 40.249281°
Long: 105.017692°

1993 Alum. Cap,
#23500, 0.9'
Below Ground
Lat: 40.247636°
Long: 105.017689°

True Position
Lat: 40.247636°
Long: 105.017689°

1993 Alum. Cap,
#23500, 1.2'
Below Ground
Lat: 40.240347°
Long: 105.017558°

1998 Alum. Cap,
#18982, 0.6'
Below Ground
Lat: 40.233039°
Long: 105.017533°

1993 Alum. Cap,
#23500, 0.6'
Below Ground
Lat: 40.233169°
Long: 105.008156°

Alum. Cap, Illegible,
0.3' Below Ground
Lat: 40.233228°
Long: 104.998633°

1996 Alum. Cap,
#24667, 0.9'
Below Ground
Lat: 40.233358°
Long: 104.989194°

2011 Alum. Cap,
#34995, 0.3'
Below Ground
Lat: 40.247858°
Long: 104.989217°

1996 Alum. Cap,
#4392, 0.3' Below
Ground in Monument
Box in N-S
Asphalt Frontage Road
Lat: 40.247958°
Long: 104.979806°

2012 Alum. Cap,
#28285 0.5'
Below Ground,
Lat: 40.248022°
Long: 104.970303°

Alum. Cap, #2209
0.8' Below Ground in
Gravel Road E-W,
Lat: 40.248031°
Long: 104.960797°

2001 Alum. Cap,
#29425, 0.5'
Below Ground
Lat: 40.240717°
Long: 104.979764°

2004 Alum. Cap,
#9644, 0.3' High
in Concrete Slab
Lat: 40.240758°
Long: 104.960847°

2004 Alum. Cap,
#27269, 0.5'
Below Ground,
7' North of E-W &
Asphalt Road,
Lat: 40.233483°
Long: 104.970308°

1995 Alum. Cap,
#22098 1.2' Below
Ground in & of E-W
Asphalt Road
Lat: 40.233489°
Long: 104.960897°

2005 Alum. Cap,
#22098 0.5' Below
Ground, in Monument
Box at & of Asphalt Road,
Lat: 40.233475°
Long: 104.979719°

POSTLE IC 09-222HN
Elev. Graded
Ground = 4977.0'

Entry Point

586'

1552'

500'36'48"E - 2653.81' (Meas.)

500'04'22"E - 2649.50' (Meas.)

500'04'55"E - 2649.53' (Meas.)

500'06'01"E - 2644.20' (Meas.)

500'36'48"E - 2653.81' (Meas.)

500'04'22"E - 2649.50' (Meas.)

500'04'55"E - 2649.53' (Meas.)

500'06'01"E - 2644.20' (Meas.)

500'36'48"E - 2653.81' (Meas.)

500'04'22"E - 2649.50' (Meas.)

500'04'55"E - 2649.53' (Meas.)

500'06'01"E - 2644.20' (Meas.)

500'36'48"E - 2653.81' (Meas.)

500'04'22"E - 2649.50' (Meas.)

500'04'55"E - 2649.53' (Meas.)

500'06'01"E - 2644.20' (Meas.)

500'36'48"E - 2653.81' (Meas.)

500'04'22"E - 2649.50' (Meas.)

500'04'55"E - 2649.53' (Meas.)

500'06'01"E - 2644.20' (Meas.)

500'36'48"E - 2653.81' (Meas.)

500'04'22"E - 2649.50' (Meas.)

500'04'55"E - 2649.53' (Meas.)

500'06'01"E - 2644.20' (Meas.)

500'36'48"E - 2653.81' (Meas.)

500'04'22"E - 2649.50' (Meas.)

500'04'55"E - 2649.53' (Meas.)

500'06'01"E - 2644.20' (Meas.)

500'36'48"E - 2653.81' (Meas.)

500'04'22"E - 2649.50' (Meas.)

500'04'55"E - 2649.53' (Meas.)

500'06'01"E - 2644.20' (Meas.)

500'36'48"E - 2653.81' (Meas.)

500'04'22"E - 2649.50' (Meas.)

500'04'55"E - 2649.53' (Meas.)

500'06'01"E - 2644.20' (Meas.)

500'36'48"E - 2653.81' (Meas.)

500'04'22"E - 2649.50' (Meas.)

500'04'55"E - 2649.53' (Meas.)

500'06'01"E - 2644.20' (Meas.)

500'36'48"E - 2653.81' (Meas.)

500'04'22"E - 2649.50' (Meas.)

500'04'55"E - 2649.53' (Meas.)

500'06'01"E - 2644.20' (Meas.)

500'36'48"E - 2653.81' (Meas.)

500'04'22"E - 2649.50' (Meas.)

500'04'55"E - 2649.53' (Meas.)

500'06'01"E - 2644.20' (Meas.)

500'36'48"E - 2653.81' (Meas.)

500'04'22"E - 2649.50' (Meas.)

500'04'55"E - 2649.53' (Meas.)

500'06'01"E - 2644.20' (Meas.)

500'36'48"E - 2653.81' (Meas.)

500'04'22"E - 2649.50' (Meas.)

500'04'55"E - 2649.53' (Meas.)

500'06'01"E - 2644.20' (Meas.)

500'36'48"E - 2653.81' (Meas.)

500'04'22"E - 2649.50' (Meas.)

500'04'55"E - 2649.53' (Meas.)

500'06'01"E - 2644.20' (Meas.)

500'36'48"E - 2653.81' (Meas.)

500'04'22"E - 2649.50' (Meas.)

500'04'55"E - 2649.53' (Meas.)

500'06'01"E - 2644.20' (Meas.)

500'36'48"E - 2653.81' (Meas.)

500'04'22"E - 2649.50' (Meas.)

500'04'55"E - 2649.53' (Meas.)

500'06'01"E - 2644.20' (Meas.)

500'36'48"E - 2653.81' (Meas.)

500'04'22"E - 2649.50' (Meas.)

500'04'55"E - 2649.53' (Meas.)

500'06'01"E - 2644.20' (Meas.)

500'36'48"E - 2653.81' (Meas.)

500'04'22"E - 2649.50' (Meas.)

500'04'55"E - 2649.53' (Meas.)

500'06'01"E - 2644.20' (Meas.)

500'36'48"E - 2653.81' (Meas.)

500'04'22"E - 2649.50' (Meas.)

500'04'55"E - 2649.53' (Meas.)

500'06'01"E - 2644.20' (Meas.)

500'36'48"E - 2653.81' (Meas.)

500'04'22"E - 2649.50' (Meas.)

500'04'55"E - 2649.53' (Meas.)

500'06'01"E - 2644.20' (Meas.)

500'36'48"E - 2653.81' (Meas.)

500'04'22"E - 2649.50' (Meas.)

500'04'55"E - 2649.53' (Meas.)

500'06'01"E - 2644.20' (Meas.)

500'36'48"E - 2653.81' (Meas.)

500'04'22"E - 2649.50' (Meas.)

500'04'55"E - 2649.53' (Meas.)

500'06'01"E - 2644.20' (Meas.)

500'36'48"E - 2653.81' (Meas.)

500'04'22"E - 2649.50' (Meas.)

500'04'55"E - 2649.53' (Meas.)

500'06'01"E - 2644.20' (Meas.)

500'36'48"E - 2653.81' (Meas.)

500'04'22"E - 2649.50' (Meas.)

500'04'55"E - 2649.53' (Meas.)

500'06'01"E - 2644.20' (Meas.)

500'36'48"E - 2653.81' (Meas.)

500'04'22"E - 2649.50' (Meas.)

500'04'55"E - 2649.53' (Meas.)

500'06'01"E - 2644.20' (Meas.)

500'36'48"E - 2653.81' (Meas.)

500'04'22"E - 2649.50' (Meas.)

500'04'55"E - 2649.53' (Meas.)

500'06'01"E - 2644.20' (Meas.)

500'36'48"E - 2653.81' (Meas.)

500'04'22"E - 2649.50' (Meas.)

500'04'55"E - 2649.53' (Meas.)

500'06'01"E - 2644.20' (Meas.)

500'36'48"E - 2653.81' (Meas.)

500'04'22"E - 2649.50' (Meas.)

500'04'55"E - 2649.53' (Meas.)

500'06'01"E - 2644.20' (Meas.)

500'36'48"E - 2653.81' (Meas.)

500'04'22"E - 2649.50' (Meas.)

500'04'55"E - 2649.53' (Meas.)

500'06'01"E - 2644.20' (Meas.)

500'36'48"E - 2653.81' (Meas.)

500'04'22"E - 2649.50' (Meas.)

500'04'55"E - 2649.53' (Meas.)

500'06'01"E - 2644.20' (Meas.)

500'36'48"E - 2653.81' (Meas.)

500'04'22"E - 2649.50' (Meas.)

500'04'55"E - 2649.53' (Meas.)

500'06'01"E - 2644.20' (Meas.)

500'36'48"E - 2653.81' (Meas.)

500'04'22"E - 2649.50' (Meas.)

500'04'55"E - 2649.53' (Meas.)

500'06'01"E - 2644.20' (Meas.)

500'36'48"E - 2653.81' (Meas.)

500'04'22"E - 2649.50' (Meas.)

500'04'55"E - 2649.53' (Meas.)

500'06'01"E - 2644.20' (Meas.)

500'36'48"E - 2653.81' (Meas.)

500'04'22"E - 2649.50' (Meas.)

500'04'55"E - 2649.53' (Meas.)

500'06'01"E - 2644.20' (Meas.)

500'36'48"E - 2653.81' (Meas.)

500'04'22"E - 2649.50' (Meas.)

500'04'55"E - 2649.53' (Meas.)

500'06'01"E - 2644.20' (Meas.)

500'36'48"E - 2653.81' (Meas.)

500'04'22"E - 2649.50' (Meas.)

500'04'55"E - 2649.53' (Meas.)

500'06'01"E - 2644.20' (Meas.)

500'36'48"E - 2653.81' (Meas.)

500'04'22"E - 2649.50' (Meas.)

500'04'55"E - 2649.53' (Meas.)

500'06'01"E - 2644.20' (Meas.)

500'36'48"E - 2653.81' (Meas.)

500'04'22"E - 2649.50' (Meas.)

500'04'55"E - 2649.53' (Meas.)

500'06'01"E - 2644.20' (Meas.)

500'36'48"E - 2653.81' (Meas.)

500'04'22"E - 2649.50' (Meas.)

500'04'55"E - 2649.53' (Meas.)

500'06'01"E - 2644.2