

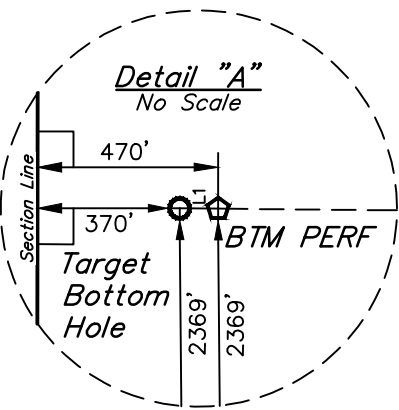
T3N, R68W, 6th P.M.

GREAT WESTERN OPERATING COMPANY

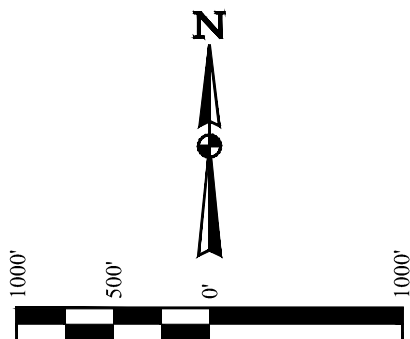
POSTLE IC 09-222HN  
SW 1/4 NW 1/4, SECTION 11, T3N, R68W, 6th P.M.  
WELD COUNTY, COLORADO

BASIS OF BEARINGS  
BASIS OF ELEVATION

USGS COOPERATIVE BASE NETWORK CONTROL STATION,  
DESIGNATION 'VERMILYEA'. NGS DATA SHEET LISTS THE  
NAVD 88 ELEVATION AS BEING 5026 FEET

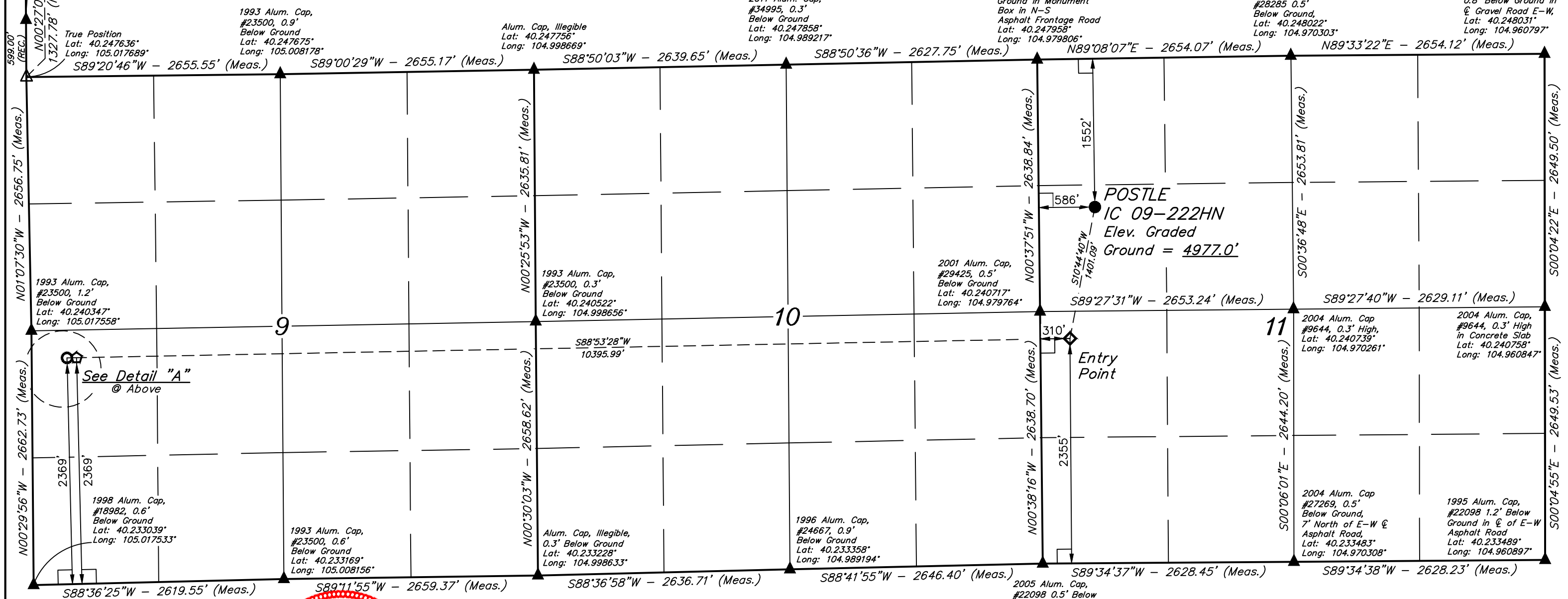


LINE TABLE		
LINE	DIRECTION	LENGTH
L1	S88°53'28"W	100.01'



NW Cor. SW 1/4  
SW 1/4, Sec. 4,  
1996 Alum. Cap,  
#23500, 0.9'  
Below Ground  
Lat: 40.251281°  
Long: 105.017697°

W.C.  
1994 Alum. Cap,  
#23500, 1.2'  
Below Ground  
Lat: 40.249281°  
Long: 105.017692°



- LEGEND:**
- ◻ = 90° SYMBOL
  - = PROPOSED WELLHEAD.
  - = TARGET BOTTOM HOLE.
  - ◇ = ENTRY POINT.
  - ⬠ = BTM PERF.
  - ▲ = SECTION CORNERS LOCATED. (NAD 83)
  - △ = SECTION CORNERS RE-ESTABLISHED. (Not Set on Ground.) (NAD 83)

**CERTIFICATE**

THIS IS TO CERTIFY THAT THE ABOVE PLAT WAS PREPARED FROM THE NOTES OF ACTUAL SURVEYS MADE BY ME OR UNDER MY SUPERVISION AND THAT THE SAME ARE TRUE AND CORRECT TO THE BEST OF MY KNOWLEDGE AND BELIEF.

REGISTERED LAND SURVEYOR  
REGISTRATION NO. 28285  
STATE OF COLORADO

NAD 83 (SURFACE LOCATION)	NAD 83 (ENTRY POINT)	NAD 83 (BTM PERF)	NAD 83 (TARGET BOTTOM HOLE)
LATITUDE = 40°14'37.36" (40.243711)	LATITUDE = 40°14'23.78" (40.239939)	LATITUDE = 40°14'22.43" (40.239564)	LATITUDE = 40°14'22.42" (40.239561)
LONGITUDE = 104°58'39.65" (104.977681)	LONGITUDE = 104°58'43.13" (104.978647)	LONGITUDE = 105°00'57.14" (105.015872)	LONGITUDE = 105°00'58.43" (105.016231)
NAD 27 (SURFACE LOCATION)	NAD 27 (ENTRY POINT)	NAD 27 (BTM PERF)	NAD 27 (TARGET BOTTOM HOLE)
LATITUDE = 40°14'37.42" (40.243728)	LATITUDE = 40°14'23.84" (40.239956)	LATITUDE = 40°14'22.49" (40.239581)	LATITUDE = 40°14'22.48" (40.239578)
LONGITUDE = 104°58'37.73" (104.977147)	LONGITUDE = 104°58'41.21" (104.978114)	LONGITUDE = 105°00'55.21" (105.015336)	LONGITUDE = 105°00'56.50" (105.015694)

PDOP = 1.8

REV: 1 06-14-17 K.B. (SL MOVE)

**UINTAH**  
ENGINEERING & LAND SURVEYING

**WELL LOCATION PLAT**

<b>SURVEYED BY</b>	CHAD MEIERS, D.N.	03-15-17	<b>SCALE</b>
<b>DRAWN BY</b>	K.B.	03-28-17	1" = 1000'

**UELS, LLC**  
Corporate Office \* 85 South 200 East  
Vernal, UT 84078 \* (435) 789-1017