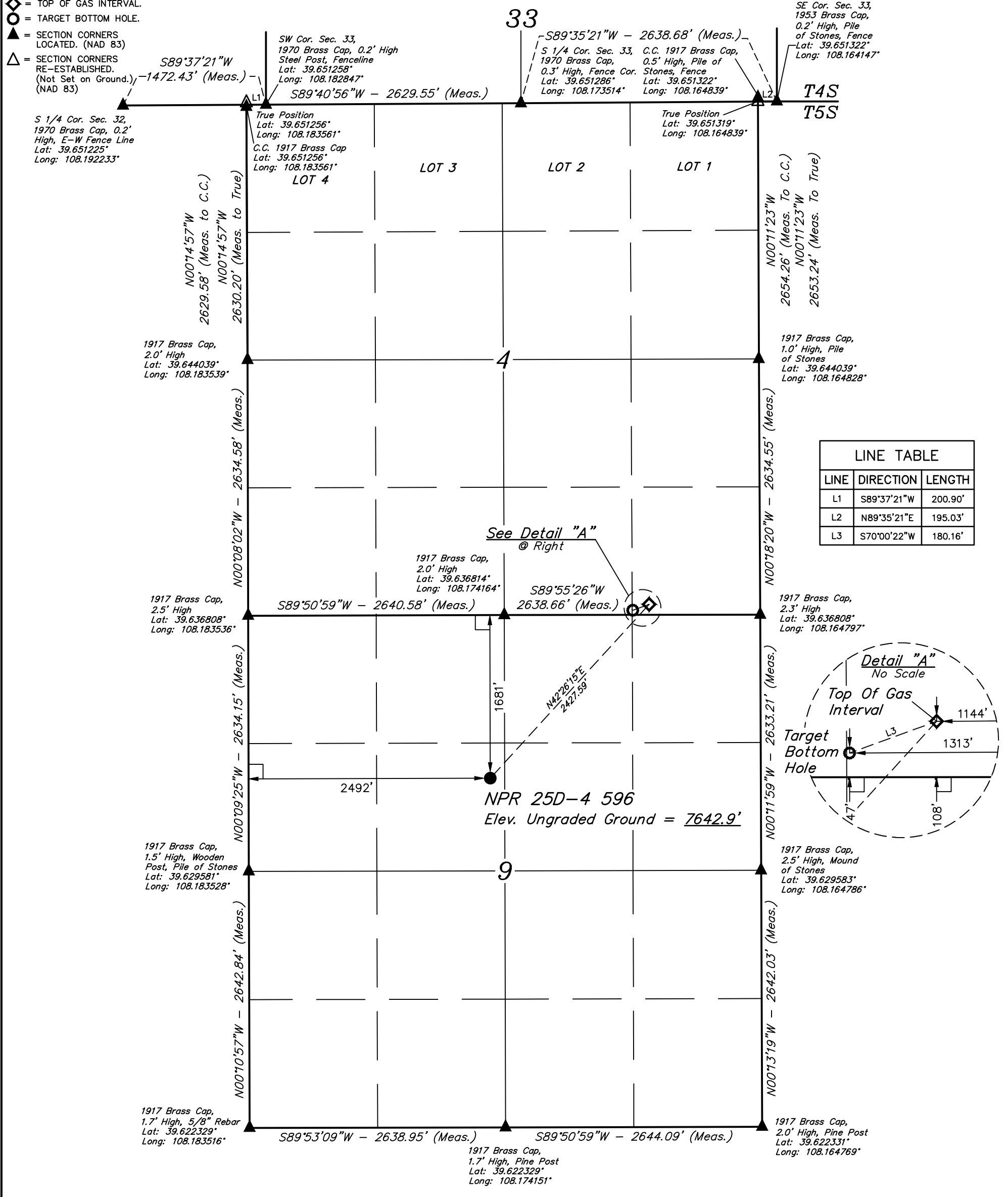


LEGEND:

- = 90° SYMBOL
- = PROPOSED WELLHEAD.
- ◆ = TOP OF GAS INTERVAL.
- = TARGET BOTTOM HOLE.
- ▲ = SECTION CORNERS LOCATED. (NAD 83)
- △ = SECTION CORNERS RE-ESTABLISHED. (Not Set on Ground.) (NAD 83)

T5S, R96W, 6th P.M.



SE Cor. Sec. 33,
1953 Brass Cap,
0.2' High, Pile
of Stones, Fence
Lat: 39.651322°
Long: 108.164147°

S 1/4 Cor. Sec. 32,
1970 Brass Cap, 0.2'
High, E-W Fence Line
Lat: 39.651225°
Long: 108.192233°

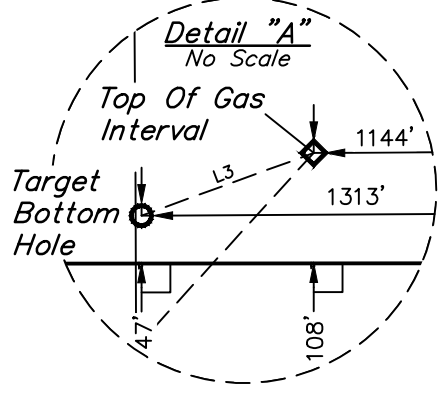
SW Cor. Sec. 33,
1970 Brass Cap, 0.2' High
Steel Post, Fenceline
Lat: 39.651258°
Long: 108.182847°

S 1/4 Cor. Sec. 33,
1970 Brass Cap,
0.3' High, Fence Cor.
Lat: 39.651286°
Long: 108.173514°

C.C. 1917 Brass Cap,
0.5' High, Pile of
Stones, Fence
Lat: 39.651322°
Long: 108.164839°

T4S
T5S

LINE TABLE		
LINE	DIRECTION	LENGTH
L1	S89°37'21"W	200.90'
L2	N89°35'21"E	195.03'
L3	S70°00'22"W	180.16'



CERTIFICATE OF SURVEY

THIS IS TO CERTIFY THAT THE ABOVE PLAT WAS PREPARED AND LOCATION AS SHOWN WAS STAKED ON THE GROUND FROM FIELD NOTES OF ACTUAL SURVEYS MADE BY ME OR UNDER MY SUPERVISION AND THAT THE SAME ARE TRUE AND CORRECT TO THE BEST OF MY KNOWLEDGE AND BELIEF.

Handwritten Signature

REGISTERED LAND SURVEYOR
REGISTRATION NO. 199180
STATE OF COLORADO 1988-18



NAD 83 (SURFACE LOCATION)	NAD 83 (TOP OF GAS INTERVAL)	NAD 83 (TARGET BOTTOM HOLE)
LATITUDE = 39°37'55.93" (39.632203)	LATITUDE = 39°38'13.59" (39.637109)	LATITUDE = 39°38'12.99" (39.636941)
LONGITUDE = 108°10'28.87" (108.174686)	LONGITUDE = 108°10'07.89" (108.168859)	LONGITUDE = 108°10'10.06" (108.169460)
NAD 27 (SURFACE LOCATION)	NAD 27 (TOP OF GAS INTERVAL)	NAD 27 (TARGET BOTTOM HOLE)
LATITUDE = 39°37'56.01" (39.632225)	LATITUDE = 39°38'13.68" (39.637133)	LATITUDE = 39°38'13.07" (39.636965)
LONGITUDE = 108°10'26.58" (108.174050)	LONGITUDE = 108°10'05.60" (108.168222)	LONGITUDE = 108°10'07.76" (108.168823)
UTM NAD 27 (ZONE 12)	UTM NAD 27 (ZONE 12)	UTM NAD 27 (ZONE 12)
N: 14404652.07 E: 2436137.87	N: 14406490.96 E: 2437722.36	N: 14406424.40 E: 2437554.97

REV: 2 05-16-18 T.L.L. (ADD TGI & BHL CHANGE)

BASIS OF BEARINGS
BASIS OF BEARINGS IS A G.P.S. OBSERVATION

BASIS OF ELEVATION
BENCH MARK (1179) LOCATED IN THE NE 1/4 OF SECTION 35, T4S, R98W, 6th P.M., TAKEN FROM THE BULL FORK, QUADRANGLE, COLORADO, 7.5 MINUTE QUAD. (TOPOGRAPHIC MAP) PUBLISHED BY THE UNITED STATES DEPARTMENT OF THE INTERIOR, GEOLOGICAL SURVEY. SAID ELEVATION IS MARKED AS BEING 8535 FEET.

UELS, LLC
Corporate Office * 85 South 200 East
Vernal, UT 84078 * (435) 789-1017



Caerus Oil & Gas LLC

NPR 25D-4 596
SE 1/4 NW 1/4, SECTION 9, T5S, R96W, 6th P.M.
GARFIELD COUNTY, COLORADO

SURVEYED BY	BART HUNTING, J.F.	12-18-17	SCALE
DRAWN BY	M.D.	12-20-17	1" = 1000'

WELL LOCATION PLAT

