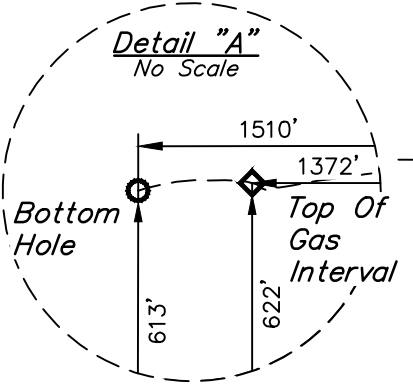
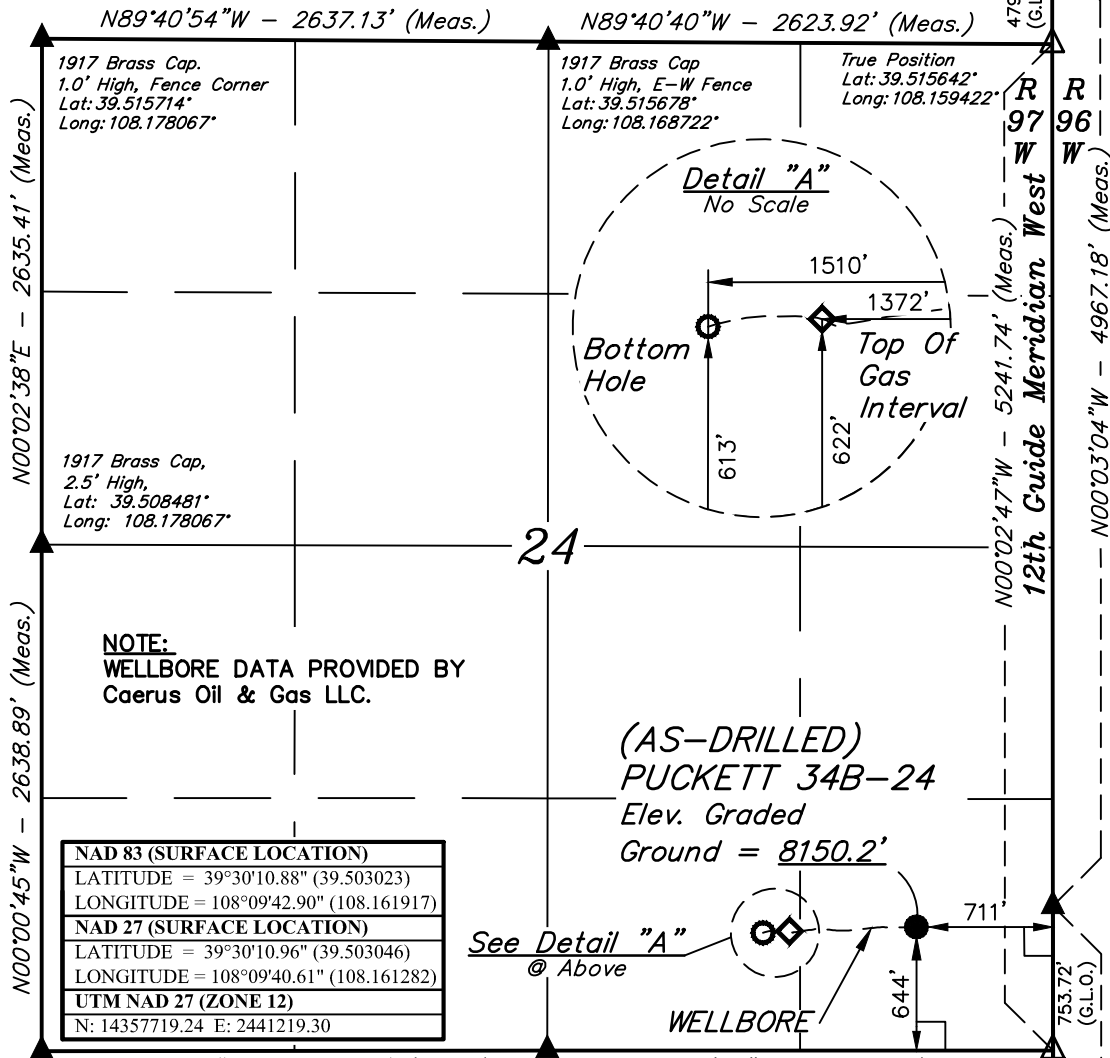


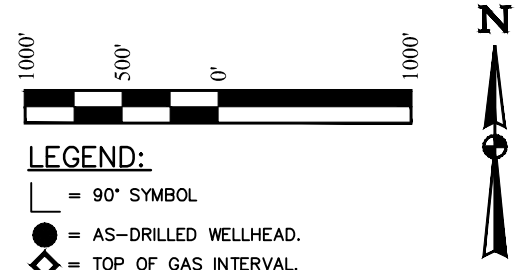
T6S, R97W, 6th P.M.

W.C. 1912 Brass
Cap, 2.0' High
Lat: 39.516958°
Long: 108.159425°



BASIS OF BEARINGS
BASIS OF BEARINGS IS A G.P.S. OBSERVATION

BASIS OF ELEVATION
SPOT ELEVATION AT THE NORTHWEST CORNER OF SECTION 30, T5S, R95W, 6th P.M., TAKEN FROM THE FORKED GULCH, QUADRANGLE, COLORADO, GARFIELD COUNTY, 7.5 MINUTE QUAD. (TOPOGRAPHIC MAP) PUBLISHED BY THE UNITED STATES DEPARTMENT OF THE INTERIOR, GEOLOGICAL SURVEY. SAID ELEVATION IS MARKED AS BEING 5966 FEET.

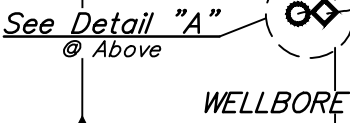


- LEGEND:**
- └─┘ = 90° SYMBOL
 - = AS-DRILLED WELLHEAD.
 - ◊ = TOP OF GAS INTERVAL.
 - = BOTTOM HOLE.
 - ▲ = SECTION CORNERS LOCATED. (NAD 83)
 - △ = SECTION CORNERS RE-ESTABLISHED. (Not Set on Ground.) (NAD 83)

NOTE:
WELLBORE DATA PROVIDED BY
Caerus Oil & Gas LLC.

(AS-DRILLED)
PUCKETT 34B-24
Elev. Graded
Ground = 8150.2'

NAD 83 (SURFACE LOCATION)	
LATITUDE = 39°30'10.88" (39.503023)	
LONGITUDE = 108°09'42.90" (108.161917)	
NAD 27 (SURFACE LOCATION)	
LATITUDE = 39°30'10.96" (39.503046)	
LONGITUDE = 108°09'40.61" (108.161282)	
UTM NAD 27 (ZONE 12)	
N: 14357719.24	E: 2441219.30



W.C. 1912 Brass
Cap, 1.5' High
Lat: 39.503325°
Long: 108.159400°

CERTIFICATE

THIS IS TO CERTIFY THAT THE ABOVE PLAT WAS PREPARED AND THE LOCATION AS SHOWN WAS STAKED ON THE GROUND FROM FIELD NOTES OF ACTUAL SURVEYS MADE BY ME OR UNDER MY SUPERVISION AND THAT THE SAME ARE TRUE AND CORRECT TO THE BEST OF MY KNOWLEDGE AND BELIEF.

Harold Mansfield
38130

REGISTERED LAND SURVEYOR
REGISTRATION NO. 38130
STATE OF COLORADO 04-25-18

True Position
Lat: 39.501256°
Long: 108.159397°

1917 Brass Cap,
0.8' High, Steel Post
Lat: 39.501239°
Long: 108.178056°

1917 Brass Cap,
1.5' High
Lat: 39.501256°
Long: 108.168731°

PDOP = 1.6

NAD 83 (TOP OF GAS INTERVAL)	NAD 83 (BOTTOM HOLE)
LATITUDE = 39°30'10.67" (39.502964)	LATITUDE = 39°30'10.58" (39.502939)
LONGITUDE = 108°09'51.34" (108.164261)	LONGITUDE = 108°09'53.10" (108.164749)
NAD 27 (TOP OF GAS INTERVAL)	NAD 27 (BOTTOM HOLE)
LATITUDE = 39°30'10.75" (39.502986)	LATITUDE = 39°30'10.66" (39.502961)
LONGITUDE = 108°09'49.05" (108.163625)	LONGITUDE = 108°09'50.81" (108.164113)
UTM NAD 27 (ZONE 12)	UTM NAD 27 (ZONE 12)
N: 14357676.64 E: 2440558.86	N: 14357663.18 E: 2440421.39

E 1/4 Cor. Sec. 25
1912 Brass Cap,
1.3' High
Lat: 39.494017°
Long: 108.159389°

Caerus Oil & Gas LLC

(AS-DRILLED) PUCKETT 34B-24
SE 1/4 SE 1/4, SECTION 24, T6S, R97W, 6th P.M.
GARFIELD COUNTY, COLORADO

SURVEYED BY	BART HUNTING, D.P.	03-21-18	SCALE
DRAWN BY	T.L.L.	04-20-18	1" = 1000'

AS-DRILLED WELL LOCATION PLAT