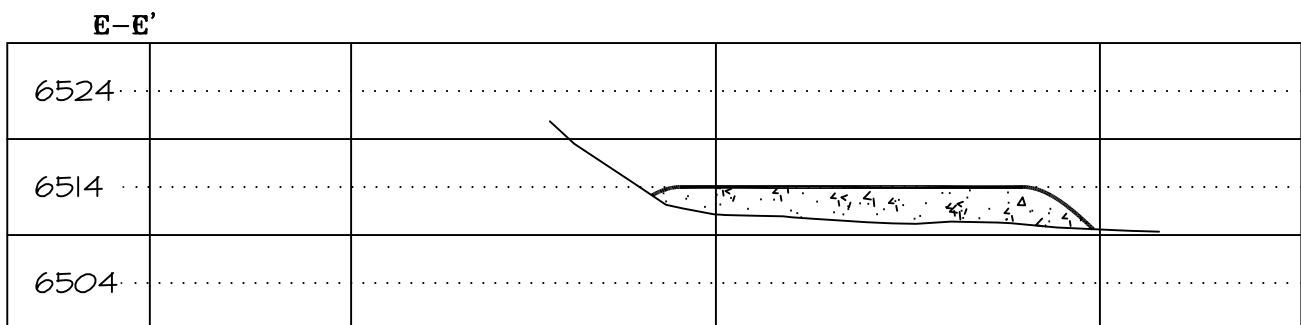
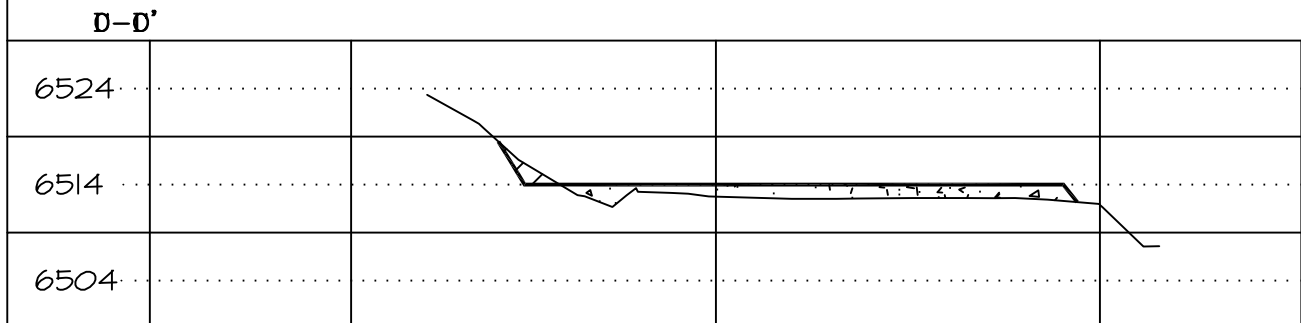
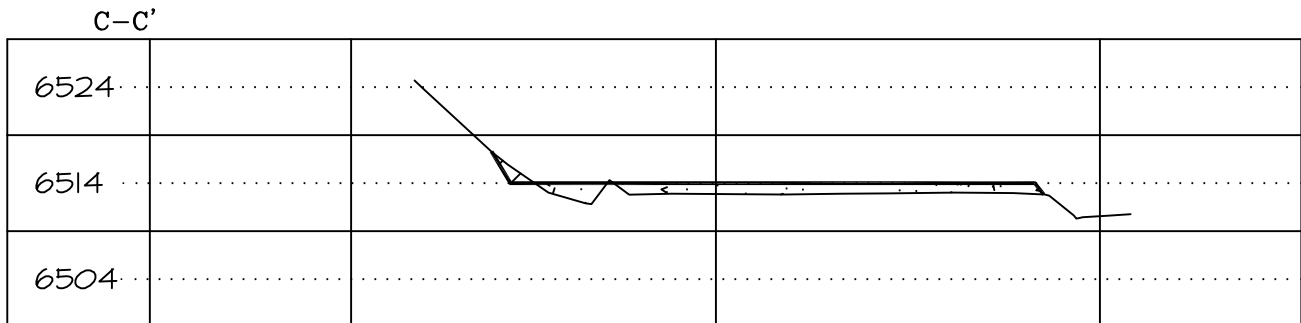
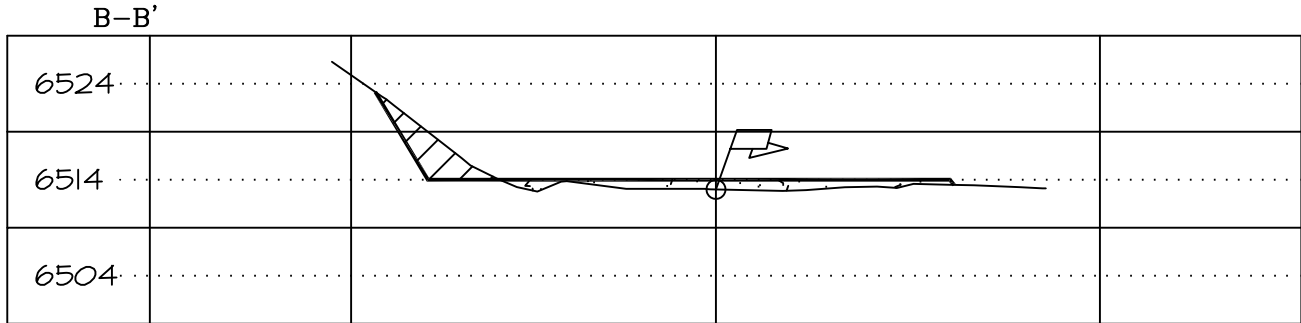
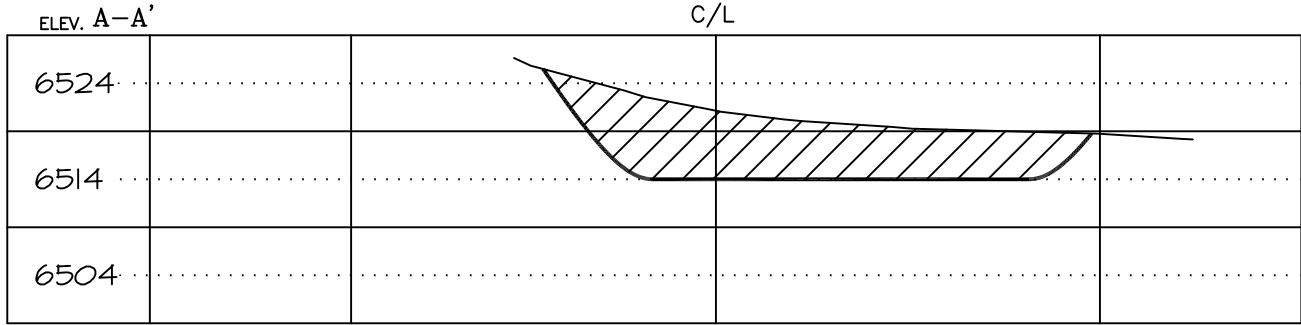


CATAMOUNT ENERGY PARTNERS: EBC #9
2220' FSL, 1862' FWL, SECTION 34, T-34-N, R-5-W, S.U.L., N.M.P.M.,
ARCHULETA COUNTY, CO. GROUND LEVEL ELEVATION: 6514'
PAD CROSS SECTION DETAIL



VERTICAL SCALE: 1" = 20' / HORIZONTAL SCALE: 1" = 50'

FIGURE 2