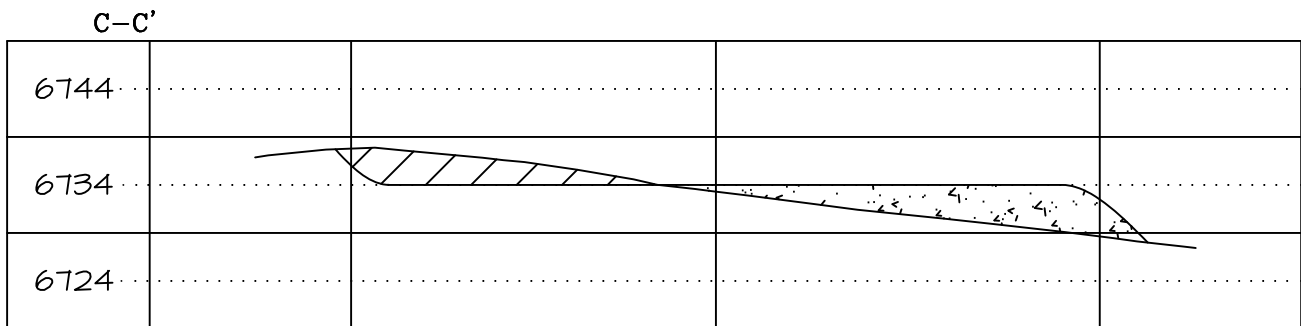
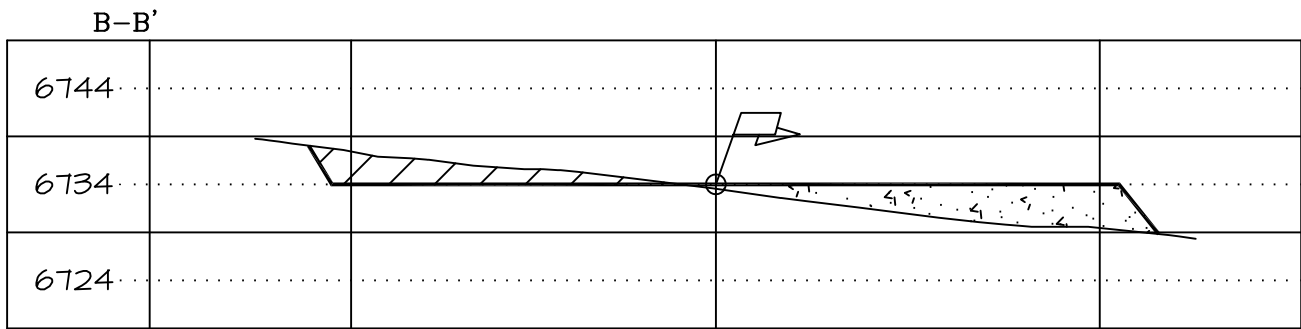
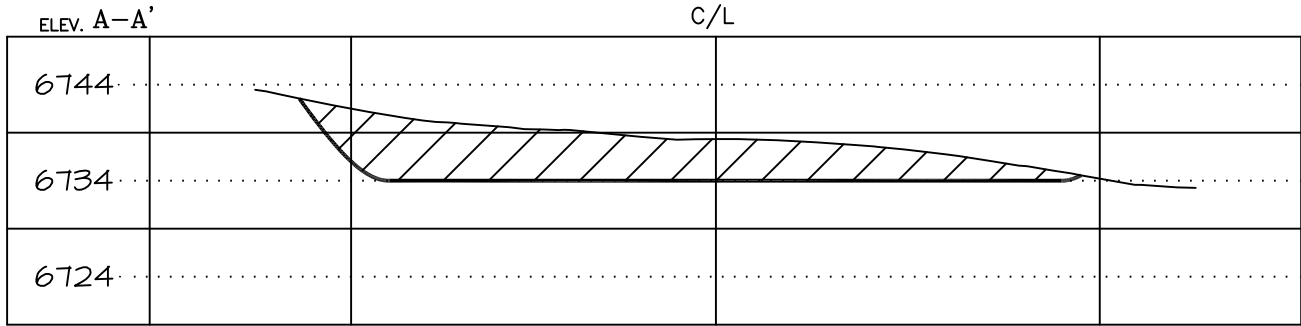


**CATAMOUNT ENERGY PARTNERS: BULL CREEK UNIT 28-2
 1323' FSL, 1325' FEL, SECTION 28, T-34-N, R-5-W, N.M.P.M.,
 ARCHULETA COUNTY, CO. GROUND LEVEL ELEVATION: 6734'**

PAD CROSS SECTION DETAIL



VERTICAL SCALE: 1" = 20' / HORIZONTAL SCALE: 1" = 50'

FIGURE 2