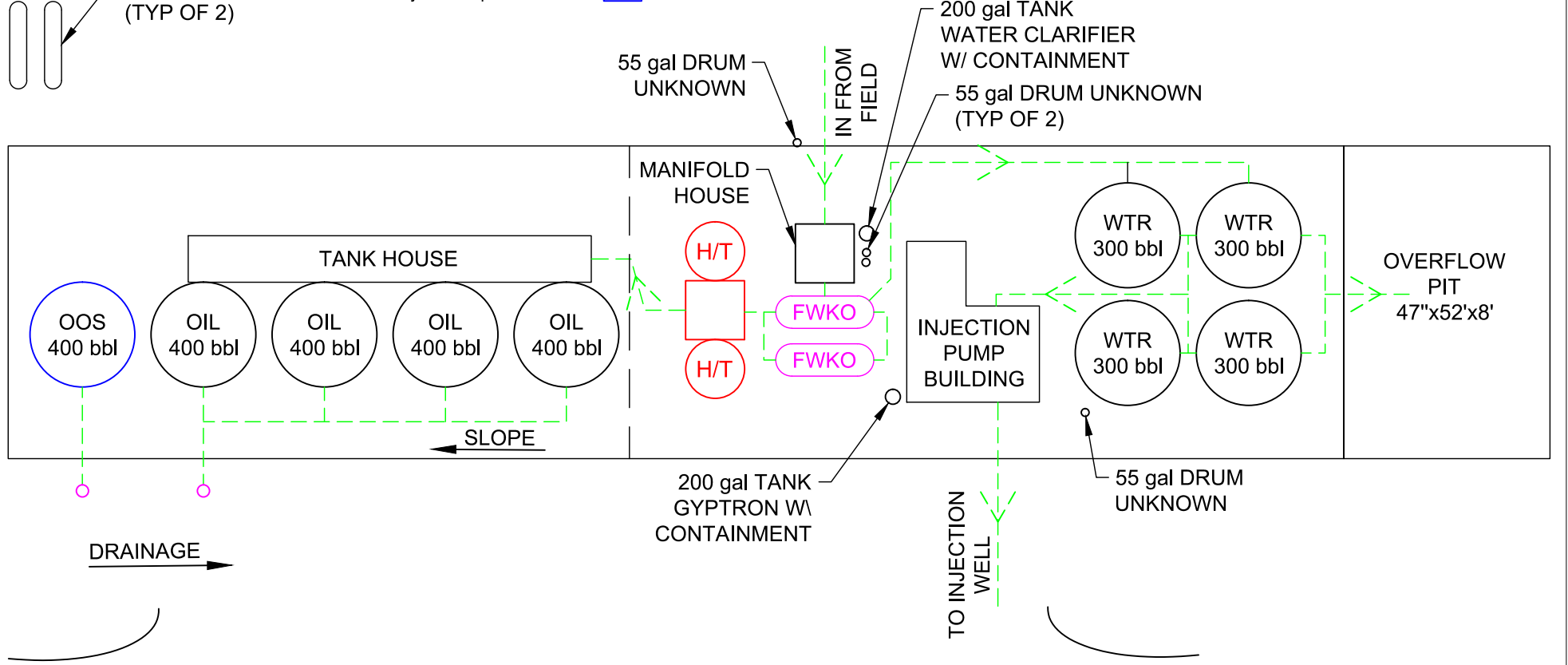
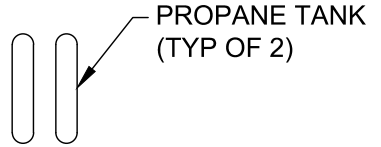
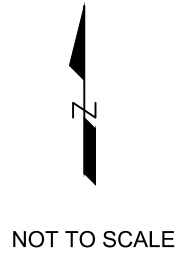


LEGEND

- | | | | |
|------------------------|--|---------------------|--|
| Well Head | | Steel Tank | |
| Loadout Hookup | | Fiberglass Tank | |
| Flow Line | | Heater/Treater | |
| Earthen Berm | | Separator | |
| Corrugated Steel Cont. | | Free Water Knockout | |
| Fence | | Transformers | |
| Reinjection Pump | | Out of Service | |
| Recycle Pump | | Fresh Water | |



FLUHARTY TB

SITE PLAN
 WEST PADRONI FIELD
 SINDT/ DICKINSON
 TANK BATTERY
 01/24/14