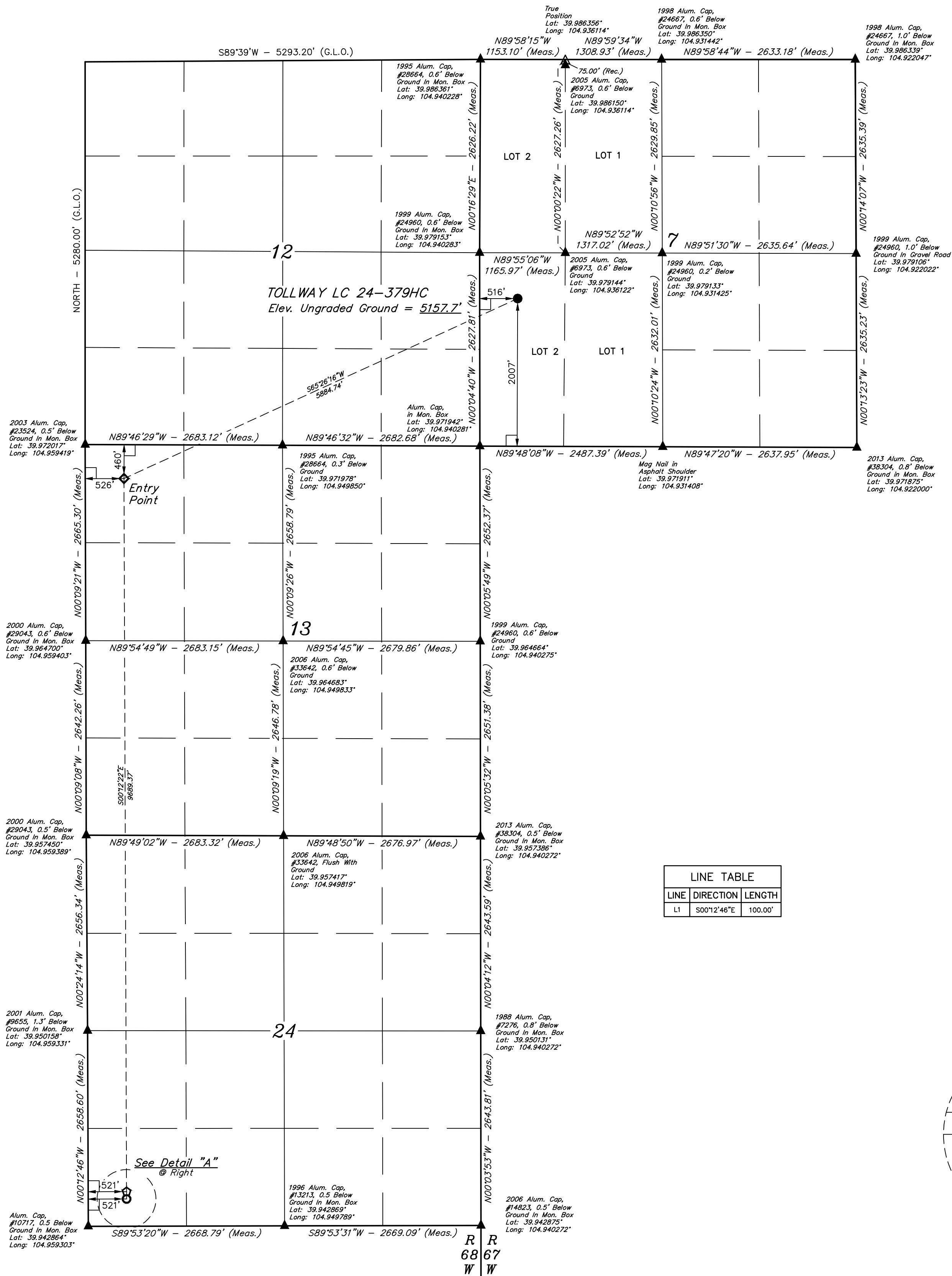
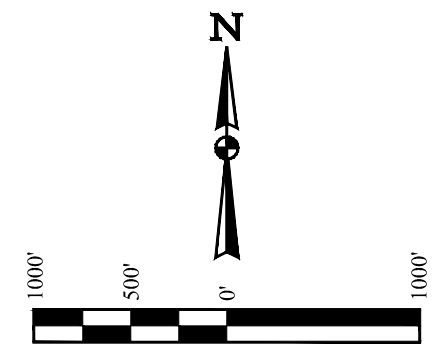
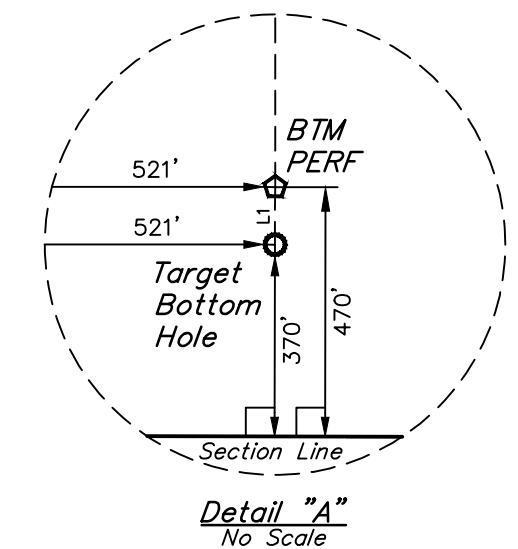


BASIS OF BEARINGS
BASIS OF ELEVATION
BENCHMARK JR 53 5026 LOCATED IN THE SW 1/4 SE 1/4
OF SECTION 18, T1N, R68W, 6th P.M., TAKEN FROM 1988
PUBLISHED DATUM BY THE UNITED STATES DEPARTMENT
OF THE INTERIOR, GEOLOGICAL SURVEY AS BEING 5028 FEET.



LINE TABLE		
LINE	DIRECTION	LENGTH
L1	S0012'46"E	100.00'



CERTIFICATE OF RECORD REGISTRATION
THIS IS TO CERTIFY THAT THE ABOVE DESCRIBED WORK WAS DONE IN ACCORDANCE WITH THE PROVISIONS OF THE COLORADO SURVEYING ACT AND THAT THE SAME ARE TRUE AND CORRECT TO THE BEST OF MY KNOWLEDGE AND BELIEF.
REGISTERED LAND SURVEYOR
REG. NO. 28285
STATE OF COLORADO
J. B. [Signature]

- LEGEND:
- = 90° SYMBOL
 - = PROPOSED WELLHEAD.
 - ◆ = ENTRY POINT.
 - ⊙ = BTM PERF.
 - ⊙ = TARGET BOTTOM HOLE.
 - ▲ = SECTION CORNERS LOCATED. (NAD 83)
 - △ = SECTION CORNERS RE-ESTABLISHED. (Not Set on Ground.) (NAD 83)

NAD 83 (SURFACE LOCATION)	NAD 83 (ENTRY POINT)	NAD 83 (BTM PERF)	NAD 83 (TARGET BOTTOM HOLE)
LATITUDE = 39°58'38.80" (39.977443)	LATITUDE = 39°58'14.68" (39.970746)	LATITUDE = 39°56'38.95" (39.944154)	LATITUDE = 39°56'37.97" (39.943879)
LONGITUDE = 104°56'18.38" (104.938440)	LONGITUDE = 104°57'27.15" (104.957541)	LONGITUDE = 104°57'26.82" (104.957451)	LONGITUDE = 104°57'26.82" (104.957450)
NAD 27 (SURFACE LOCATION)	NAD 27 (ENTRY POINT)	NAD 27 (BTM PERF)	NAD 27 (TARGET BOTTOM HOLE)
LATITUDE = 39°58'38.85" (39.977459)	LATITUDE = 39°58'14.74" (39.970761)	LATITUDE = 39°56'39.01" (39.944169)	LATITUDE = 39°56'38.02" (39.943895)
LONGITUDE = 104°56'16.46" (104.937906)	LONGITUDE = 104°57'25.23" (104.957007)	LONGITUDE = 104°57'24.90" (104.956917)	LONGITUDE = 104°57'24.90" (104.956916)

REV: 2 01-04-18 K.B. (BP ADD, SL, EP, TBM & NAME CHANGE)

PDOP = 1.5

UJINTAH ENGINEERING & LAND SURVEYING
CORPORATE OFFICE * 85 South 200 East Vernal, UT 84078 * (435) 789-1017

REG. NO. 28285
STATE OF COLORADO

SURVEYED BY	GREG WEIMER	01-04-18	SCALE
DRAWN BY	L.C.S.	03-29-16	1" = 1000'

WELL LOCATION PLAT