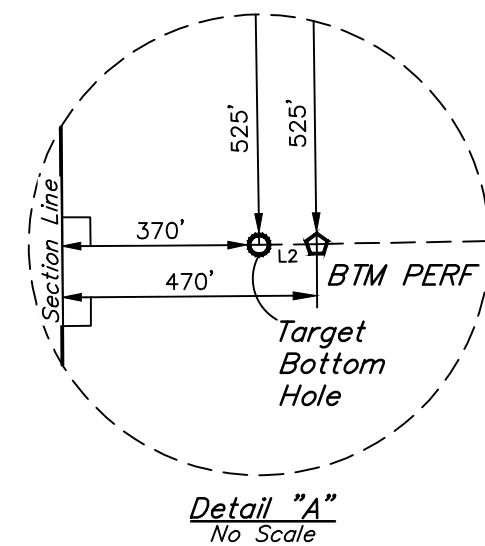
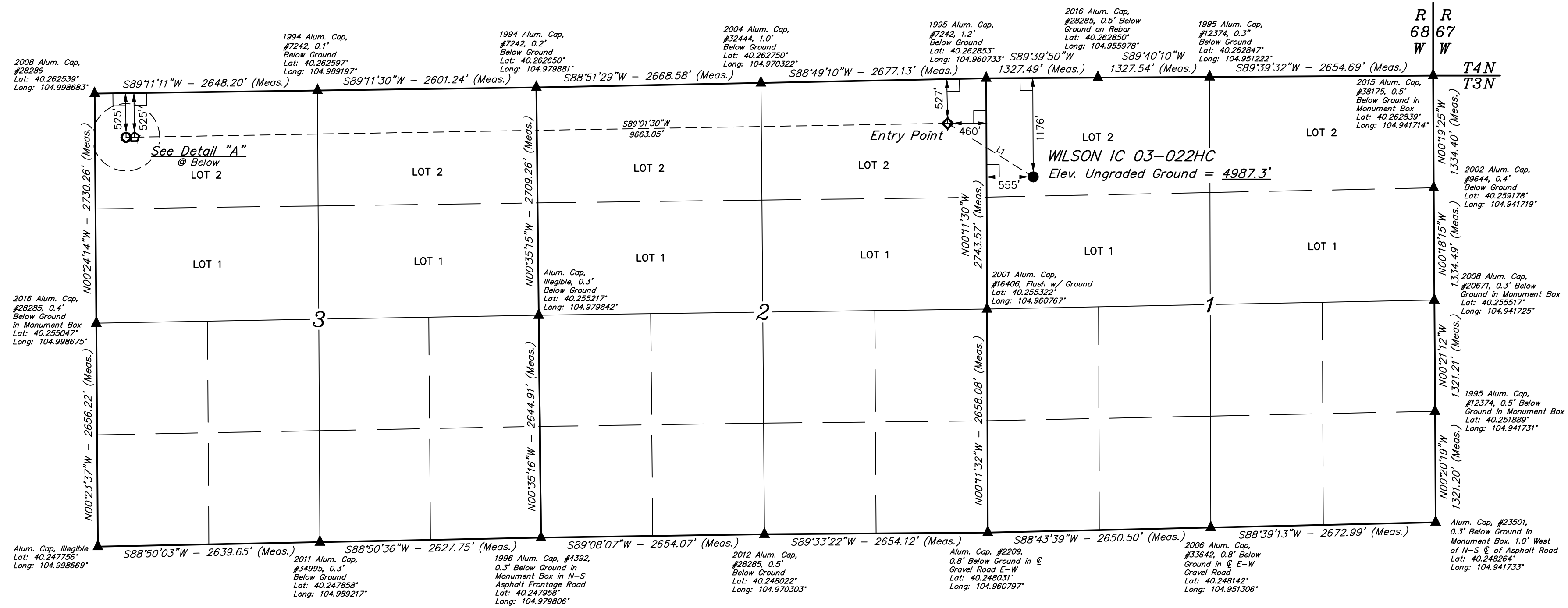
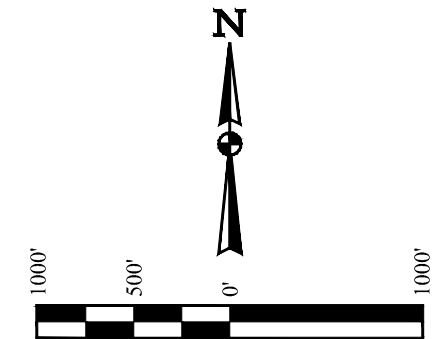


WILSON IC 03-022HC
NW 1/4 NW 1/4, SECTION 1, T3N, R68W, 6th P.M.
WELD COUNTY, COLORADO

BASIS OF BEARINGS
BASIS OF ELEVATION

USGS COOPERATIVE BASE NETWORK CONTROL STATION,
DESIGNATION 'VERMILYEA'. NGS DATA SHEET LISTS THE NAVD
88 ELEVATION AS BEING 5026 FEET.



LINE TABLE		
LINE	DIRECTION	LENGTH
L1	N57°58'03"W	1199.81'
L2	S89°11'11"W	100.00'

CERTIFICATE OF REGISTRATION
THIS IS TO CERTIFY THAT THE ABOVE DESCRIBED SURVEY WAS MADE BY ME OR UNDER MY SUPERVISION AND THAT THE SAME ARE TRUE AND CORRECT TO THE BEST OF MY KNOWLEDGE AND BELIEF.

RECORDED LAND SURVEYOR
REGISTRATION NO. 28285
STATE OF COLORADO

REV: 3 10-05-17 K.B. (BTM PERF ADD & TBH CHANGE)

- LEGEND:
- = 90° SYMBOL
 - = PROPOSED WELLHEAD
 - ◆ = ENTRY POINT
 - = BTM PERF.
 - = TARGET BOTTOM HOLE
 - ▲ = SECTION CORNERS LOCATED. (NAD 83)

PDOP = 1.4

NAD 83 (SURFACE LOCATION)	NAD 83 (ENTRY POINT)	NAD 83 (BTM PERF)	NAD 83 (TARGET BOTTOM HOLE)
LATITUDE = 40°15'34.64" (40.259622)	LATITUDE = 40°15'41.00" (40.261389)	LATITUDE = 40°15'39.99" (40.261108)	LATITUDE = 40°15'39.98" (40.261106)
LONGITUDE = 104°57'31.53" (104.958758)	LONGITUDE = 104°57'44.59" (104.962386)	LONGITUDE = 104°59'49.19" (104.996997)	LONGITUDE = 104°59'50.48" (104.997356)
NAD 27 (SURFACE LOCATION)	NAD 27 (ENTRY POINT)	NAD 27 (BTM PERF)	NAD 27 (TARGET BOTTOM HOLE)
LATITUDE = 40°15'34.70" (40.259639)	LATITUDE = 40°15'41.06" (40.261406)	LATITUDE = 40°15'40.05" (40.261125)	LATITUDE = 40°15'40.04" (40.261122)
LONGITUDE = 104°57'29.61" (104.958225)	LONGITUDE = 104°57'42.68" (104.961856)	LONGITUDE = 104°59'47.27" (104.996464)	LONGITUDE = 104°59'48.56" (104.996822)

UINTEAH
CORPORATE OFFICE • 85 SOUTH 200 EAST
VERNAL, UT 84078 • (435) 789-1017

UELS, LLC
Corporate Office • 85 South 200 East
Vernal, UT 84078 • (435) 789-1017

SURVEYED BY: ZANE BULLARD, G.W. 04-11-16 SCALE: 1" = 1000'
DRAWN BY: M.F.D. 07-21-16

WELL LOCATION PLAT