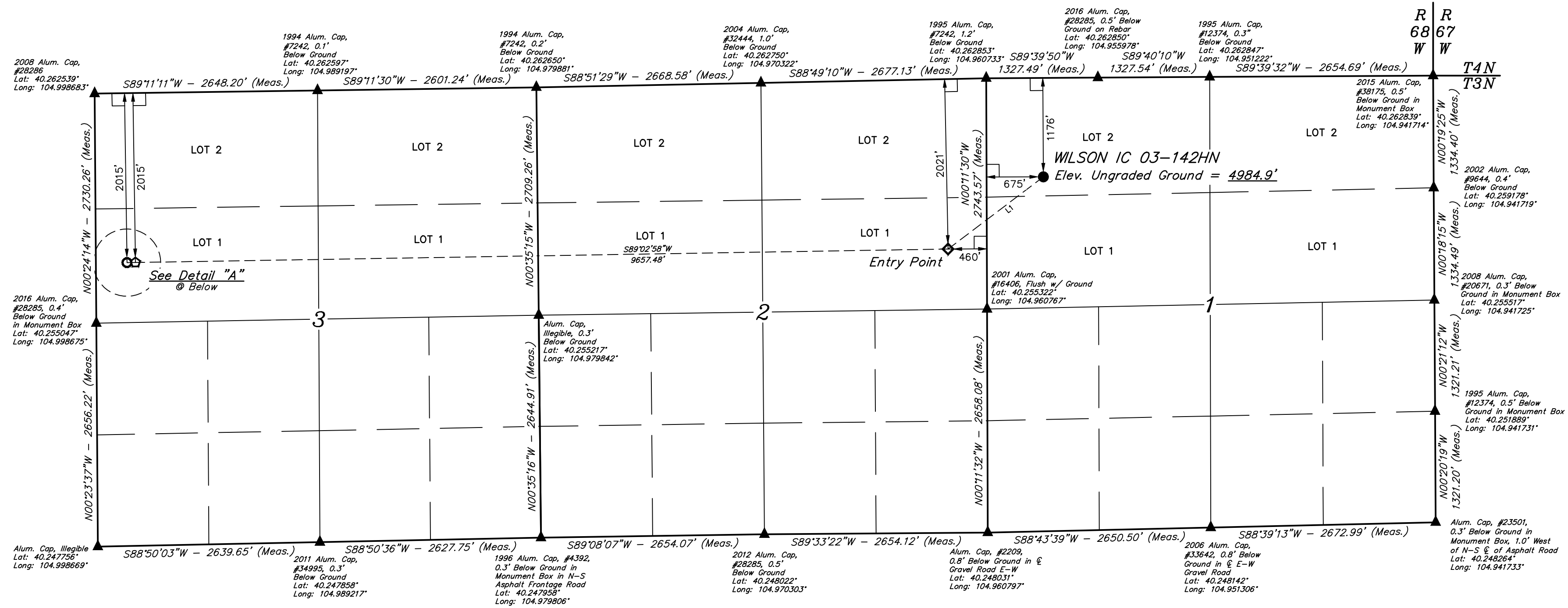
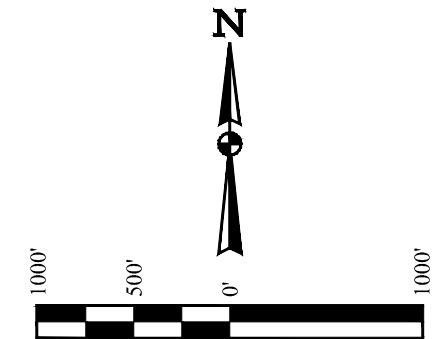
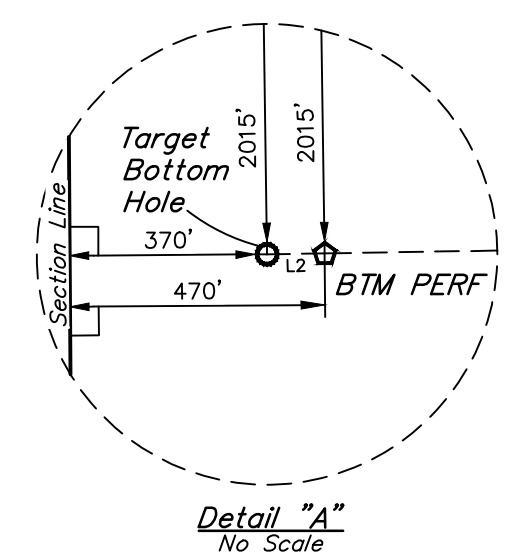


WILSON IC 03-142HN
NW 1/4 NW 1/4, SECTION 1, T3N, R68W, 6th P.M.
WELD COUNTY, COLORADO

BASIS OF BEARINGS
BASIS OF ELEVATION
USGS COOPERATIVE BASE NETWORK CONTROL STATION,
DESIGNATION 'VERMILYEA'. NGS DATA SHEET LISTS THE NAVD
88 ELEVATION AS BEING 5026 FEET.



See Detail "A"
Below



Detail "A"
No Scale

LINE TABLE		
LINE	DIRECTION	LENGTH
L1	S52°50'04"W	1420.69'
L2	S89°11'11"W	100.00'

- LEGEND:
- = 90° SYMBOL
 - = PROPOSED WELLHEAD
 - ◆ = ENTRY POINT
 - = BTM PERF.
 - = TARGET BOTTOM HOLE.
 - ▲ = SECTION CORNERS LOCATED. (NAD 83)

NAD 83 (SURFACE LOCATION)		NAD 83 (ENTRY POINT)		NAD 83 (BTM PERF)		NAD 83 (TARGET BOTTOM HOLE)	
LATITUDE = 40°15'34.64" (40.259622)	LATITUDE = 40°15'26.24" (40.257289)	LATITUDE = 40°15'25.27" (40.257019)	LATITUDE = 40°15'25.26" (40.257017)	LONGITUDE = 104°57'29.98" (104.958328)	LONGITUDE = 104°57'44.66" (104.962406)	LONGITUDE = 104°59'49.18" (104.996994)	LONGITUDE = 104°59'50.47" (104.997353)
LATITUDE = 40°15'34.70" (40.259639)	LATITUDE = 40°15'26.30" (40.257306)	LATITUDE = 40°15'25.33" (40.257036)	LATITUDE = 40°15'25.32" (40.257033)	LONGITUDE = 104°57'28.07" (104.957797)	LONGITUDE = 104°57'42.74" (104.961872)	LONGITUDE = 104°59'47.26" (104.996461)	LONGITUDE = 104°59'48.54" (104.996817)

CERTIFICATE
THIS IS TO CERTIFY THAT THE ABOVE...
NOTES OF ACTUAL SURVEYS MADE...
AND THAT THE SAME ARE TRUE AND...
KNOWLEDGE AND BELIEF.

REGISTERED LAND SURVEYOR
RECORDING NO. 28285
STATE OF COLORADO

REV: 3 10-05-17 K.B. (BTM PERF ADD & TBH CHANGE)

PDOP = 1.4

UELS, LLC
Corporate Office • 85 South 200 East
Vernal, UT 84078 • (435) 789-1017

UNTAH
SURVEYED BY ZANE BULLARD, G.W. 04-11-16 SCALE
DRAWN BY M.F.D. 07-21-16 1" = 1000'

WELL LOCATION PLAT