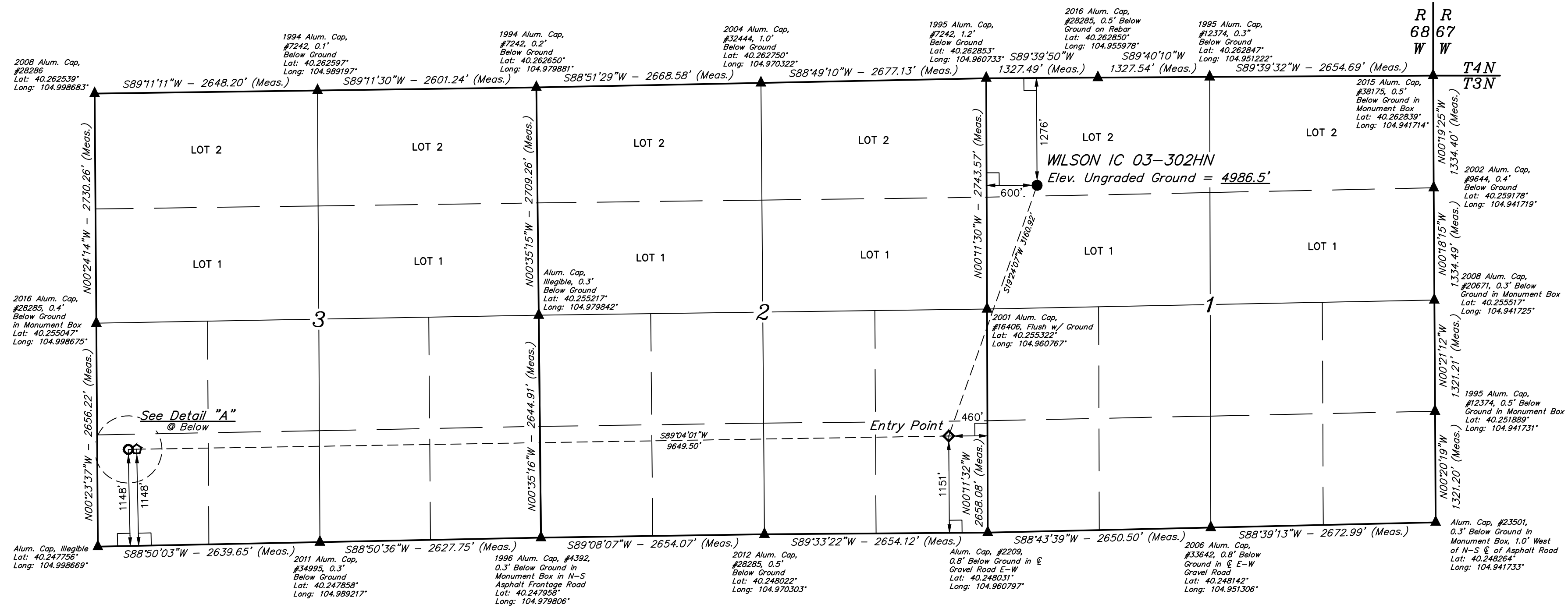
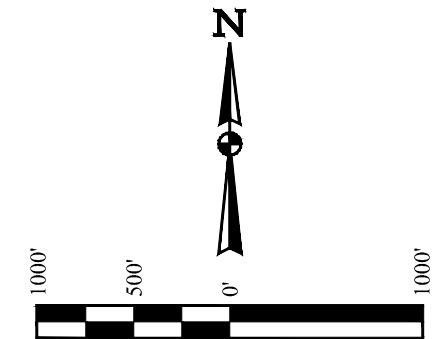
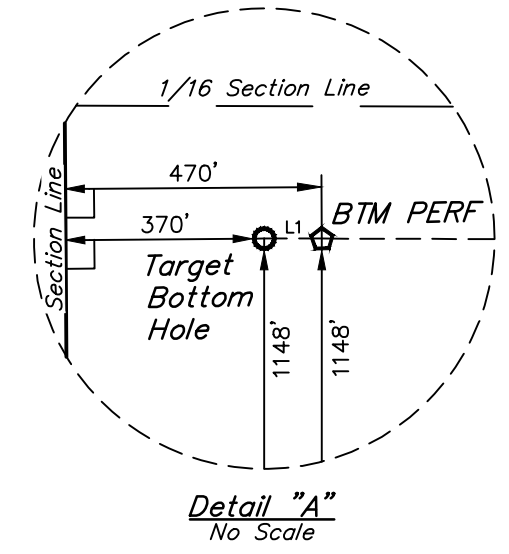


WILSON IC 03-302HN  
NW 1/4 NW 1/4, SECTION 1, T3N, R68W, 6th P.M.  
WELD COUNTY, COLORADO

BASIS OF BEARINGS  
BASIS OF ELEVATION  
USGS COOPERATIVE BASE NETWORK CONTROL STATION,  
DESIGNATION 'VERMILYEA'. NGS DATA SHEET LISTS THE NAVD  
88 ELEVATION AS BEING 5026 FEET.



LINE TABLE		
LINE	DIRECTION	LENGTH
L1	S88°50'03"W	100.01'



- LEGEND:**
- ◻ = 90° SYMBOL
  - = PROPOSED WELLHEAD
  - ◆ = ENTRY POINT
  - = BTM PERF.
  - = TARGET BOTTOM HOLE
  - ▲ = SECTION CORNERS LOCATED. (NAD 83)

NAD 83 (SURFACE LOCATION)	NAD 83 (ENTRY POINT)	NAD 83 (BTM PERF)	NAD 83 (TARGET BOTTOM HOLE)
LATITUDE = 40°15'33.66" (40.259350)	LATITUDE = 40°15'04.27" (40.251186)	LATITUDE = 40°15'03.33" (40.250925)	LATITUDE = 40°15'03.32" (40.250922)
LONGITUDE = 104°57'30.96" (104.958600)	LONGITUDE = 104°57'44.75" (104.962431)	LONGITUDE = 104°59'49.16" (104.996989)	LONGITUDE = 104°59'50.45" (104.997347)
NAD 27 (SURFACE LOCATION)	NAD 27 (ENTRY POINT)	NAD 27 (BTM PERF)	NAD 27 (TARGET BOTTOM HOLE)
LATITUDE = 40°15'33.71" (40.259364)	LATITUDE = 40°15'04.33" (40.251203)	LATITUDE = 40°15'03.39" (40.250942)	LATITUDE = 40°15'03.38" (40.250939)
LONGITUDE = 104°57'29.04" (104.958067)	LONGITUDE = 104°57'42.83" (104.961897)	LONGITUDE = 104°59'47.24" (104.996456)	LONGITUDE = 104°59'48.52" (104.996811)

CERTIFICATE OF REGISTRATION  
THIS IS TO CERTIFY THAT THE ABOVE DESCRIBED WORK WAS PERFORMED IN ACCORDANCE WITH THE REQUIREMENTS OF THE PROFESSIONAL LAND SURVEYOR ACT AND THAT THE SAME ARE TRUE AND CORRECT TO THE BEST OF MY KNOWLEDGE AND BELIEF.

REGISTERED LAND SURVEYOR  
RECEIVED NO. 28285  
STATE OF COLORADO  
JAN 17 2017

REV: 3 10-05-17 K.B. (BTM PERF ADD & TBH CHANGE)

PDOP = 1.9

**UINTAH**  
CORPORATE OFFICE • 85 SOUTH 200 EAST  
VERNAL, UT 84078 • (435) 789-1017

UELS, LLC  
Corporate Office • 85 South 200 East  
Vernal, UT 84078 • (435) 789-1017

SURVEYED BY: ZANE BULLARD, G.W. 04-11-16 SCALE: 1" = 1000'  
DRAWN BY: M.F.D. 07-21-16

**WELL LOCATION PLAT**