



November 8, 2017

Colorado Oil and Gas Conservation Commission  
1120 Lincoln Street, Suite 801  
Denver, CO 80203

**RE: Proposed Wellbore Spacing Unit**  
Wilson IC 03-302HN  
Niobrara New Drill  
NWNW Sec. 1, Township 3N, Range 68W, 6<sup>th</sup> P.M.  
Weld County, Colorado

Dear Director Lepore,

Great Western Operating Company, LLC (Great Western) is planning to drill the above captioned well in accordance with the provisions of Colorado Oil and Gas Conservation Commission (COGCC) Rule 318A.e.

Great Western's proposed wellbore spacing unit consists of:

Township 3N, Range 68W (Weld County):  
Section 2: All  
Section 3: All

Total Acres: 1280 ac

The 30 day notification time period has passed and we have not yet received any objections to such well locations or proposed spacing unit, therefore Great Western hereby requests the Director to approve the above mentioned well. Great Western respectfully requests the COGCC review the enclosed map illustrating the proposed wellbore spacing unit.

Respectfully,

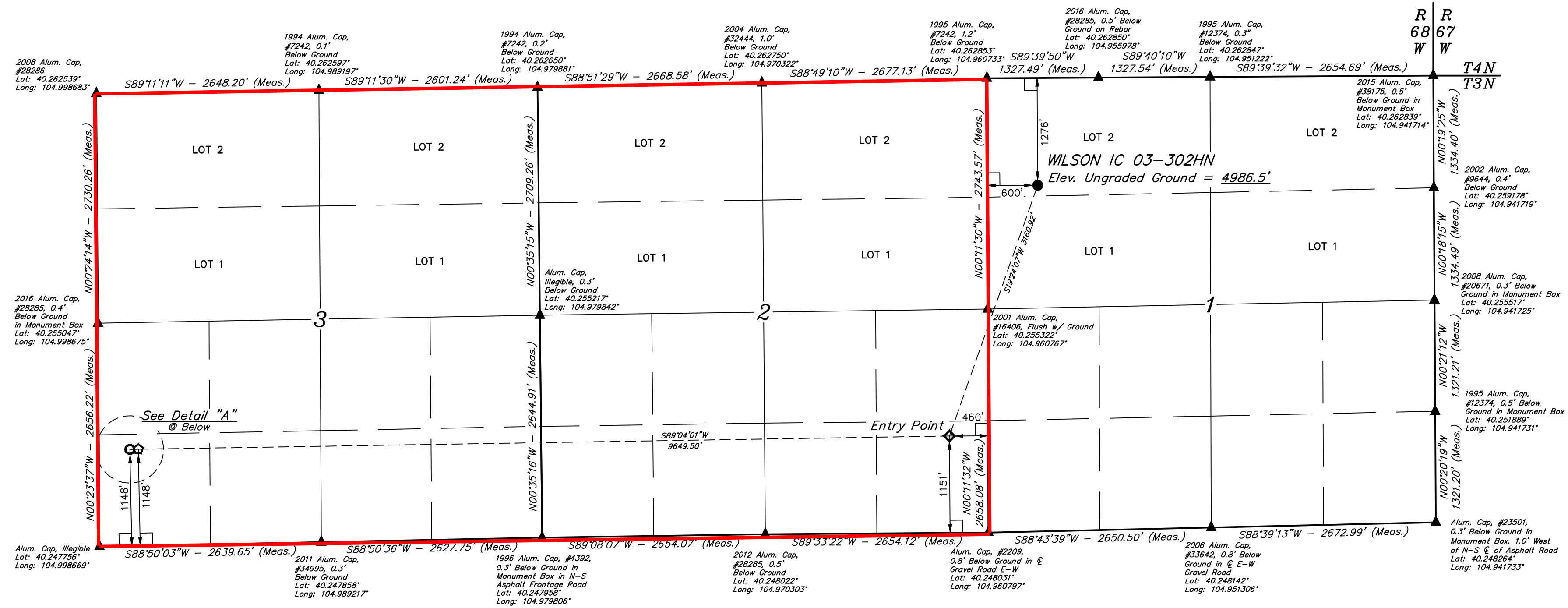
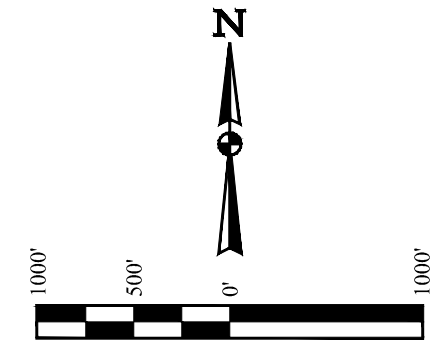
*Miracle Pfister*

Miracle Pfister  
Regulatory Manager  
Great Western Operating Company, LLC

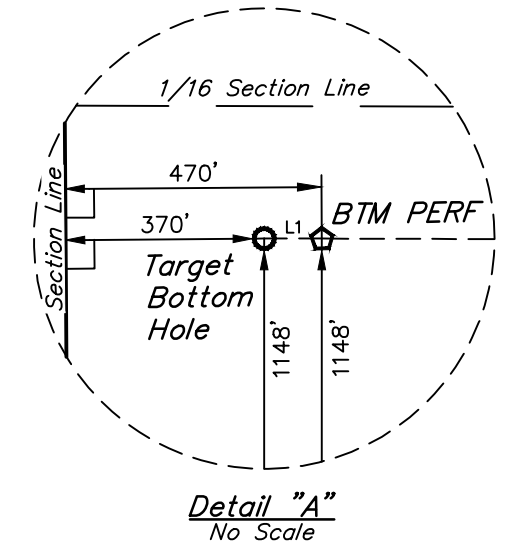
WILSON IC 03-302HN  
NW 1/4 NW 1/4, SECTION 1, T3N, R68W, 6th P.M.  
WELD COUNTY, COLORADO

BASIS OF BEARINGS  
BASIS OF ELEVATION

USGS COOPERATIVE BASE NETWORK CONTROL STATION,  
DESIGNATION 'VERMILYEA'. NGS DATA SHEET LISTS THE NAVD  
88 ELEVATION AS BEING 5026 FEET.



LINE TABLE		
LINE	DIRECTION	LENGTH
L1	S88°50'03"W	100.01'



- LEGEND:**
- ◻ = 90° SYMBOL
  - = PROPOSED WELLHEAD
  - ◆ = ENTRY POINT
  - = BTM PERF.
  - = TARGET BOTTOM HOLE
  - ▲ = SECTION CORNERS LOCATED. (NAD 83)

CERTIFICATE OF REGISTRATION  
THIS IS TO CERTIFY THAT THE ABOVE DESCRIBED WORK WAS DONE IN ACCORDANCE WITH THE PROVISIONS OF THE COLORADO PROFESSIONAL LAND SURVEYING ACT AND THAT THE SAME ARE TRUE AND CORRECT TO THE BEST OF MY KNOWLEDGE AND BELIEF.

REGISTERED LAND SURVEYOR  
RECEIVED NO. 28285  
STATE OF COLORADO

REV: 3 10-05-17 K.B. (BTM PERF ADD & TBH CHANGE)

PDOP = 1.9

NAD 83 (SURFACE LOCATION)	NAD 83 (ENTRY POINT)	NAD 83 (BTM PERF)	NAD 83 (TARGET BOTTOM HOLE)
LATITUDE = 40°15'33.66" (40.259350)	LATITUDE = 40°15'04.27" (40.251186)	LATITUDE = 40°15'03.33" (40.250925)	LATITUDE = 40°15'03.32" (40.250922)
LONGITUDE = 104°57'30.96" (104.958600)	LONGITUDE = 104°57'44.75" (104.962431)	LONGITUDE = 104°59'49.16" (104.996989)	LONGITUDE = 104°59'50.45" (104.997347)
NAD 27 (SURFACE LOCATION)	NAD 27 (ENTRY POINT)	NAD 27 (BTM PERF)	NAD 27 (TARGET BOTTOM HOLE)
LATITUDE = 40°15'33.71" (40.259364)	LATITUDE = 40°15'04.33" (40.251203)	LATITUDE = 40°15'03.39" (40.250942)	LATITUDE = 40°15'03.38" (40.250939)
LONGITUDE = 104°57'29.04" (104.958067)	LONGITUDE = 104°57'42.83" (104.961897)	LONGITUDE = 104°59'47.24" (104.996456)	LONGITUDE = 104°59'48.52" (104.996811)

**UINTEAH**  
CORPORATE OFFICE • 85 SOUTH 200 EAST  
VERNAL, UT 84078 • (435) 789-1017

UELS, LLC  
Corporate Office • 85 South 200 East  
Vernal, UT 84078 • (435) 789-1017

SURVEYED BY: ZANE BULLARD, G.W. 04-11-16 SCALE: 1" = 1000'  
DRAWN BY: M.F.D. 07-21-16

**WELL LOCATION PLAT**