



November 13, 2017

Colorado Oil and Gas Conservation Commission
1120 Lincoln Street, Suite 801
Denver, CO 80203

RE: Proposed Wellbore Spacing Unit
Postle IC 09-342HNX
Niobrara New Drill
SWNW Sec. 11, Township 3N, Range 68W, 6th
P.M. Weld County, Colorado

Dear Director Lepore,

Great Western Operating Company, LLC (Great Western) is planning to drill the above captioned well in accordance with the provisions of Colorado Oil and Gas Conservation Commission (COGCC) Rule 318A.e.

Great Western's proposed wellbore spacing unit consists of:

Township 3N, Range 68W (Weld County):
Section 11: W2W2
Section 10: all
Section 9: all

Total Acres: 1440ac

The 30 day notification time period has passed and we have not yet received any objections to such well locations or proposed spacing unit, therefore Great Western hereby requests the Director to approve the above mentioned well. Great Western respectfully requests the COGCC review the enclosed map illustrating the proposed wellbore spacing unit.

Respectfully,

Natalie Svendsen
Regulatory Analyst
Great Western Operating Company, LLC

T3N, R68W, 6th P.M.

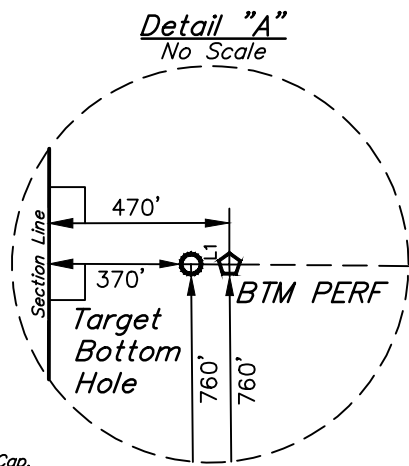
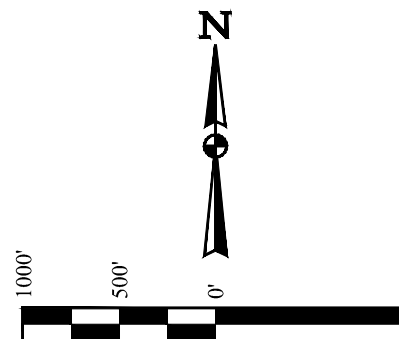
GREAT WESTERN OPERATING COMPANY

POSTLE IC 09-342HNX
SW 1/4 NW 1/4, SECTION 11, T3N, R68W, 6th P.M.
WELD COUNTY, COLORADO

BASIS OF BEARINGS
BASIS OF ELEVATION

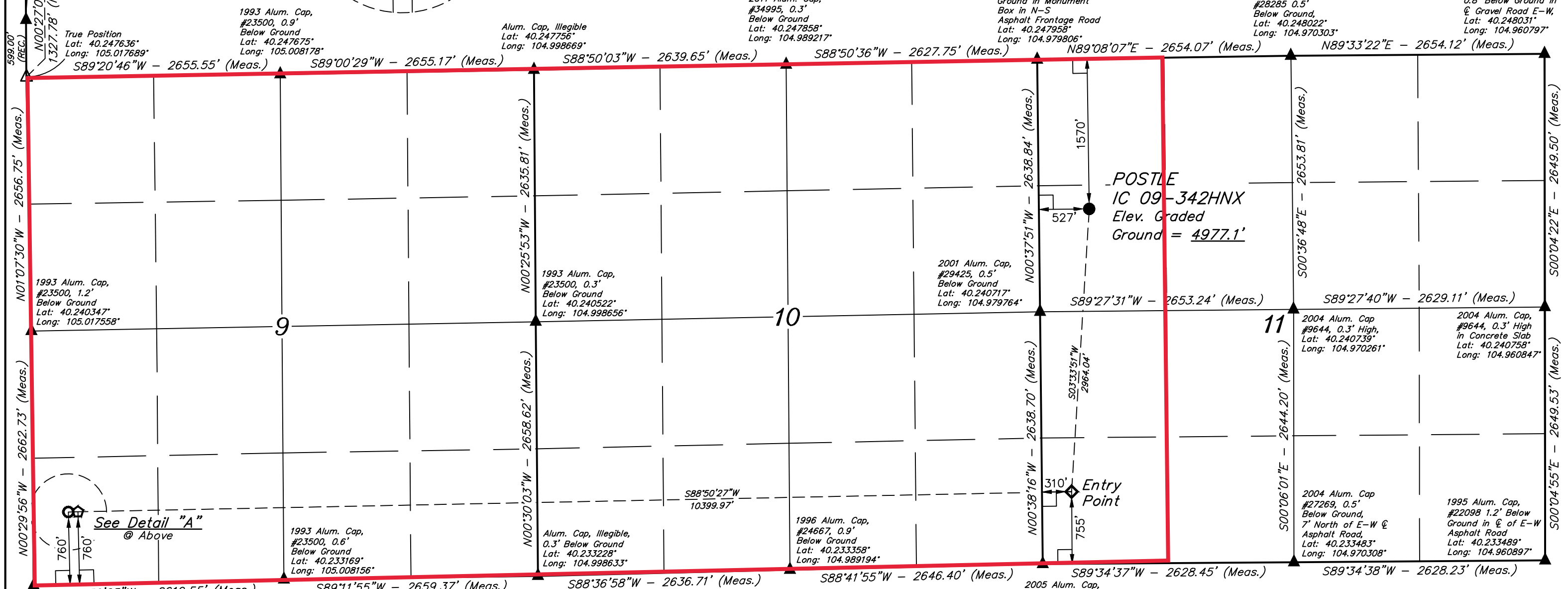
USGS COOPERATIVE BASE NETWORK CONTROL STATION,
DESIGNATION 'VERMILYEA'. NGS DATA SHEET LISTS THE
NAVD 88 ELEVATION AS BEING 5026 FEET

LINE TABLE		
LINE	DIRECTION	LENGTH
L1	S88°50'27"W	100.01'



NW Cor. SW 1/4
SW 1/4, Sec. 4,
1996 Alum. Cap,
#23500, 0.9'
Below Ground
Lat: 40.251281°
Long: 105.017697°

W.C.
1994 Alum. Cap,
#23500, 1.2'
Below Ground
Lat: 40.249281°
Long: 105.017692°



1998 Alum. Cap, #18982, 0.6' Below Ground
Lat: 40.233039° Long: 105.017533°

- LEGEND:**
- = 90° SYMBOL
 - = PROPOSED WELLHEAD.
 - = TARGET BOTTOM HOLE.
 - ◇ = ENTRY POINT.
 - ◊ = BTM PERF.
 - ▲ = SECTION CORNERS LOCATED. (NAD 83)
 - △ = SECTION CORNERS RE-ESTABLISHED. (Not Set on Ground.) (NAD 83)



NAD 83 (SURFACE LOCATION)	NAD 83 (ENTRY POINT)	NAD 83 (BTM PERF)	NAD 83 (TARGET BOTTOM HOLE)
LATITUDE = 40°14'37.19" (40.243664)	LATITUDE = 40°14'07.97" (40.235547)	LATITUDE = 40°14'06.54" (40.235150)	LATITUDE = 40°14'06.52" (40.235144)
LONGITUDE = 104°58'40.42" (104.977894)	LONGITUDE = 104°58'43.04" (104.978622)	LONGITUDE = 105°00'57.08" (105.015856)	LONGITUDE = 105°00'58.37" (105.016214)
NAD 27 (SURFACE LOCATION)	NAD 27 (ENTRY POINT)	NAD 27 (BTM PERF)	NAD 27 (TARGET BOTTOM HOLE)
LATITUDE = 40°14'37.25" (40.243681)	LATITUDE = 40°14'08.03" (40.235564)	LATITUDE = 40°14'06.59" (40.235164)	LATITUDE = 40°14'06.58" (40.235161)
LONGITUDE = 104°58'38.50" (104.977361)	LONGITUDE = 104°58'41.12" (104.978089)	LONGITUDE = 105°00'55.16" (105.015322)	LONGITUDE = 105°00'56.45" (105.015681)

PDOP = 1.4

UINTEAH
ENGINEERING & LAND SURVEYING

WELL LOCATION PLAT

SURVEYED BY	CHAD MEIERS, D.N.	03-15-17	SCALE
DRAWN BY	K.B.	03-28-17	1" = 1000'

UELS, LLC
Corporate Office * 85 South 200 East
Vernal, UT 84078 * (435) 789-1017

REV: 1 06-14-17 K.B. (SL MOVE)