

T3N, R68W, 6th P.M.

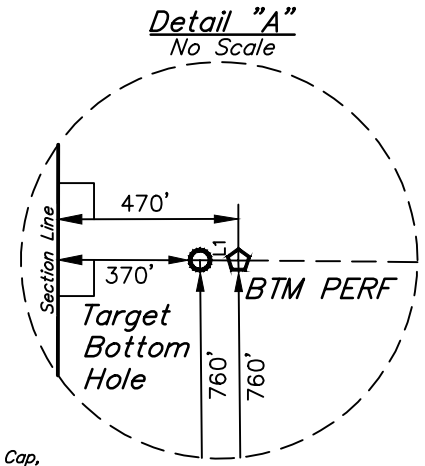
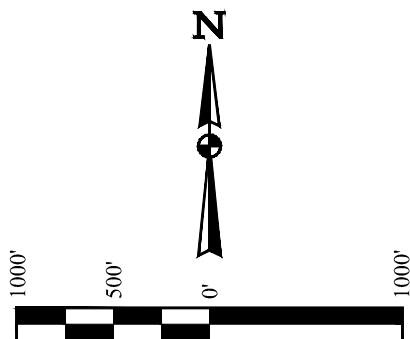
GREAT WESTERN OPERATING COMPANY

POSTLE IC 09-342HNX
SW 1/4 NW 1/4, SECTION 11, T3N, R68W, 6th P.M.
WELD COUNTY, COLORADO

BASIS OF BEARINGS
BASIS OF ELEVATION

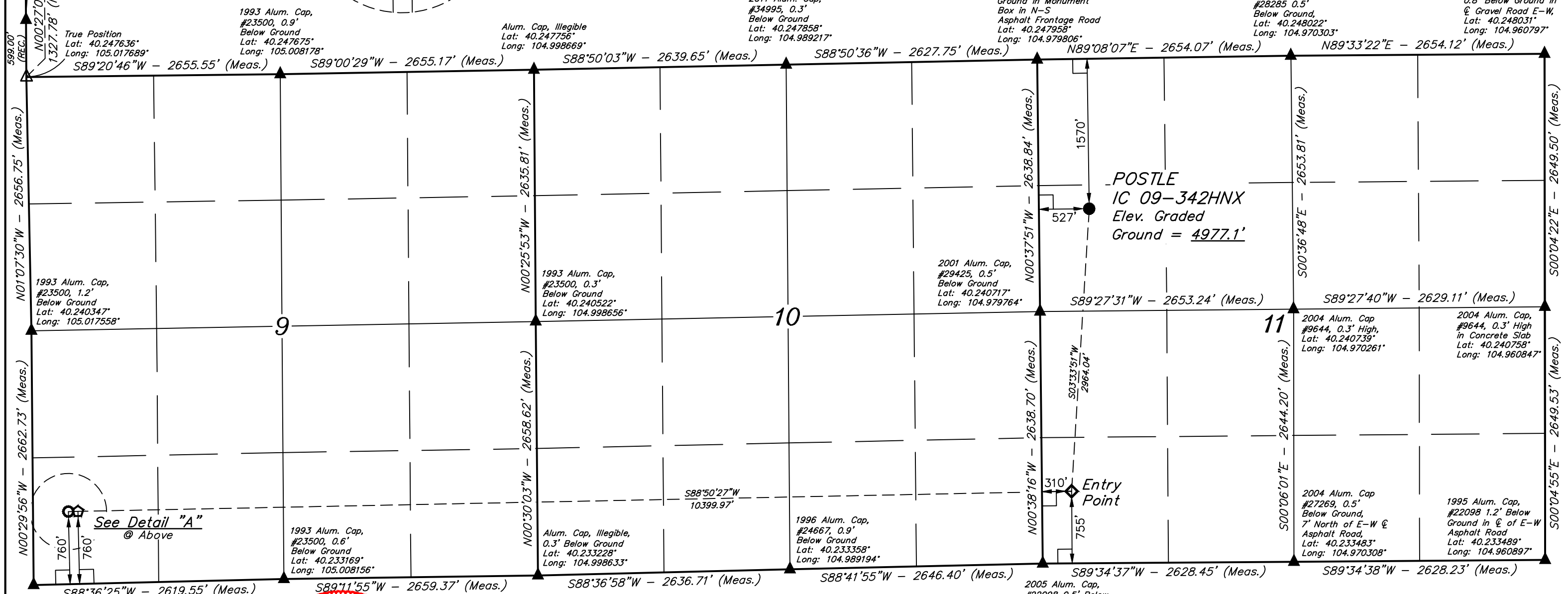
USGS COOPERATIVE BASE NETWORK CONTROL STATION,
DESIGNATION 'VERMILYEA'. NGS DATA SHEET LISTS THE
NAVD 88 ELEVATION AS BEING 5026 FEET

LINE TABLE		
LINE	DIRECTION	LENGTH
L1	S88°50'27"W	100.01'



NW Cor. SW 1/4
SW 1/4, Sec. 4,
1996 Alum. Cap,
#23500, 0.9'
Below Ground
Lat: 40.251281°
Long: 105.017697°

W.C.
1994 Alum. Cap,
#23500, 1.2'
Below Ground
Lat: 40.249281°
Long: 105.017692°



1998 Alum. Cap, #18982, 0.6' Below Ground
Lat: 40.233039° Long: 105.017533°

- LEGEND:**
- = 90° SYMBOL
 - = PROPOSED WELLHEAD.
 - = TARGET BOTTOM HOLE.
 - ◇ = ENTRY POINT.
 - ◇ = BTM PERF.
 - ▲ = SECTION CORNERS LOCATED. (NAD 83)
 - △ = SECTION CORNERS RE-ESTABLISHED. (Not Set on Ground.) (NAD 83)



NAD 83 (SURFACE LOCATION)	NAD 83 (ENTRY POINT)	NAD 83 (BTM PERF)	NAD 83 (TARGET BOTTOM HOLE)
LATITUDE = 40°14'37.19" (40.243664)	LATITUDE = 40°14'07.97" (40.235547)	LATITUDE = 40°14'06.54" (40.235150)	LATITUDE = 40°14'06.52" (40.235144)
LONGITUDE = 104°58'40.42" (104.977894)	LONGITUDE = 104°58'43.04" (104.978622)	LONGITUDE = 105°00'57.08" (105.015856)	LONGITUDE = 105°00'58.37" (105.016214)
NAD 27 (SURFACE LOCATION)	NAD 27 (ENTRY POINT)	NAD 27 (BTM PERF)	NAD 27 (TARGET BOTTOM HOLE)
LATITUDE = 40°14'37.25" (40.243681)	LATITUDE = 40°14'08.03" (40.235564)	LATITUDE = 40°14'06.59" (40.235164)	LATITUDE = 40°14'06.58" (40.235161)
LONGITUDE = 104°58'38.50" (104.977361)	LONGITUDE = 104°58'41.12" (104.978089)	LONGITUDE = 105°00'55.16" (105.015322)	LONGITUDE = 105°00'56.45" (105.015681)

PDOP = 1.4

REV: 1 06-14-17 K.B. (SL MOVE)

UINTAH
ENGINEERING & LAND SURVEYING

WELL LOCATION PLAT

SURVEYED BY	CHAD MEIERS, D.N.	03-15-17	SCALE
DRAWN BY	K.B.	03-28-17	1" = 1000'

UELS, LLC
Corporate Office * 85 South 200 East
Vernal, UT 84078 * (435) 789-1017