

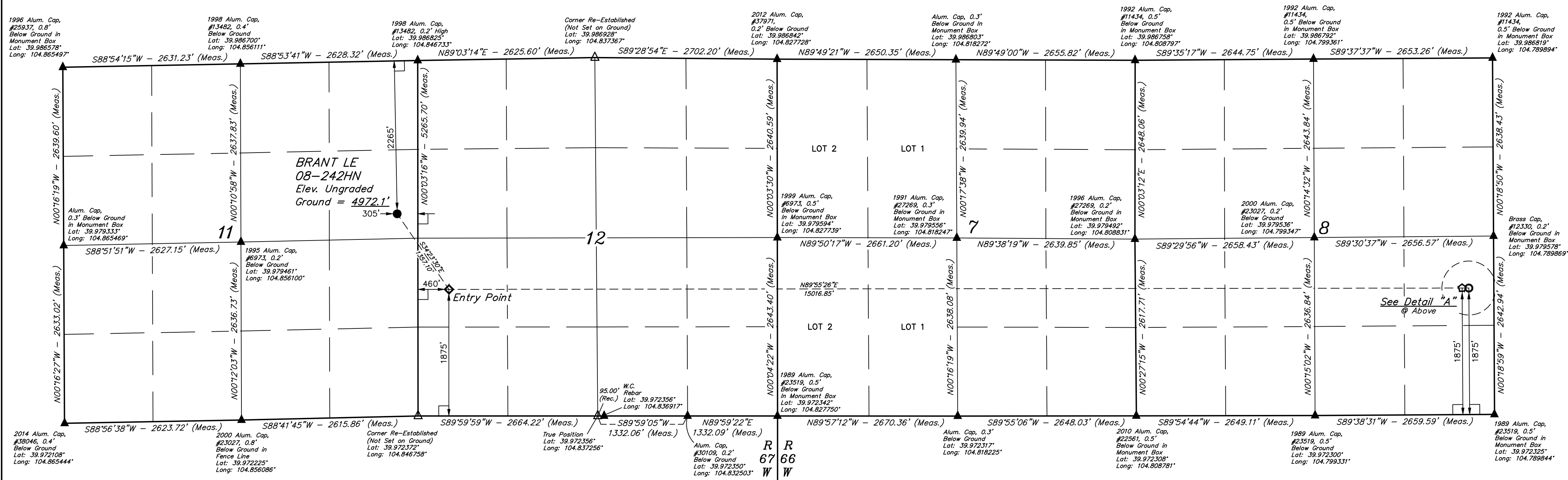
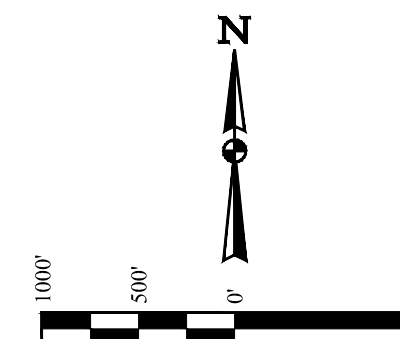
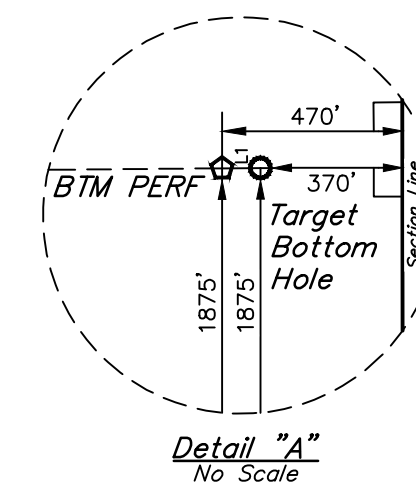
BRANT LE 08-242HN
SE 1/4 NE 1/4, SECTION 11, T1S, R67W, 6th P.M.,
ADAMS COUNTY, COLORADO

BASIS OF BEARINGS

BASIS OF ELEVATION

USGS COOPERATIVE BASE NETWORK CONTROL STATION,
DESIGNATION "JR 53 5026". NGS DATA SHEET LISTS THE NAVD 88
ELEVATION AS BEING 5028 FEET.

LINE TABLE		
LINE	DIRECTION	LENGTH
L1	N89°55'26"E	100.00'



- LEGEND:**
- = 90° SYMBOL
 - = PROPOSED WELLHEAD.
 - ◆ = ENTRY POINT.
 - = TARGET BOTTOM HOLE.
 - = BTM PERF.
 - ▲ = SECTION CORNERS LOCATED. (NAD 83)
 - △ = SECTION CORNERS RE-ESTABLISHED. (Not Set on Ground.) (NAD 83)

THIS IS TO CERTIFY THAT THE ABOVE DESCRIBED SURVEY WAS MADE BY ME OR UNDER MY SUPERVISION AND THAT THE SAME ARE TRUE AND CORRECT TO THE BEST OF MY KNOWLEDGE AND BELIEF.

[Signature]
REGISTERED LAND SURVEYOR
REGISTRATION NO. 28285
STATE OF COLORADO

REV: 2 08-11-17 K.B. (SL MOVE)

PDOP = 1.7

NAD 83 (SURFACE LOCATION)	NAD 83 (ENTRY POINT)	NAD 83 (BTM PERF)	NAD 83 (TARGET BOTTOM HOLE)
LATITUDE = 39°58'50.14" (39.980594)	LATITUDE = 39°58'39.06" (39.977517)	LATITUDE = 39°58'38.88" (39.977467)	LATITUDE = 39°58'38.88" (39.977467)
LONGITUDE = 104°50'52.20" (104.847833)	LONGITUDE = 104°50'42.39" (104.845108)	LONGITUDE = 104°47'29.54" (104.791539)	LONGITUDE = 104°47'28.25" (104.791181)
NAD 27 (SURFACE LOCATION)	NAD 27 (ENTRY POINT)	NAD 27 (BTM PERF)	NAD 27 (TARGET BOTTOM HOLE)
LATITUDE = 39°58'50.20" (39.980611)	LATITUDE = 39°58'39.12" (39.977533)	LATITUDE = 39°58'38.94" (39.977483)	LATITUDE = 39°58'38.94" (39.977483)
LONGITUDE = 104°50'50.30" (104.847306)	LONGITUDE = 104°50'40.48" (104.844578)	LONGITUDE = 104°47'27.64" (104.791011)	LONGITUDE = 104°47'26.36" (104.790656)

UJINTAH
CORPORATE OFFICE * 85 South 200 East
Vernal, UT 84078 * (435) 789-1017

UELS, LLC
Corporate Office * 85 South 200 East
Vernal, UT 84078 * (435) 789-1017

SURVEYED BY: CHAD MEIERS, D.N. 08-10-17 SCALE: 1" = 1000'
DRAWN BY: K.B. 03-08-17

WELL LOCATION PLAT