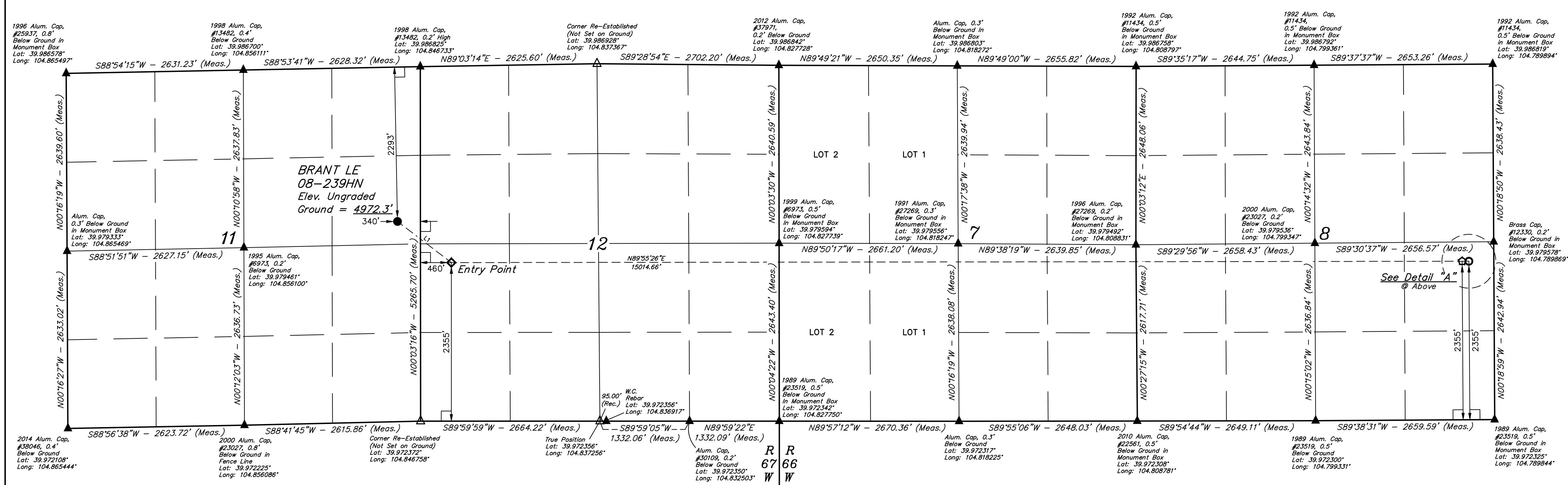
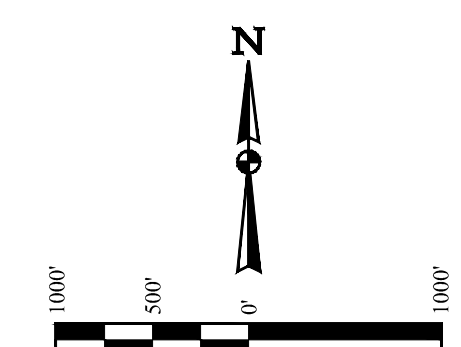
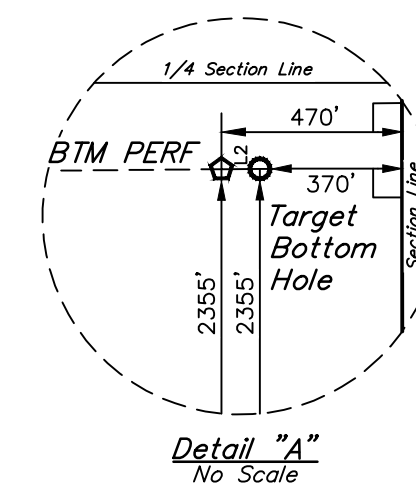


BRANT LE 08-239HN  
SE 1/4 NE 1/4, SECTION 11, T1S, R67W, 6th P.M.  
ADAMS COUNTY, COLORADO

BASIS OF BEARINGS  
BASIS OF ELEVATION

USGS COOPERATIVE BASE NETWORK CONTROL STATION,  
DESIGNATION "JR 53 5026". NGS DATA SHEET LISTS THE NAVD 88  
ELEVATION AS BEING 5028 FEET.

LINE TABLE		
LINE	DIRECTION	LENGTH
L1	S52°39'03"E	1007.09'
L2	N89°55'26"E	100.00'



- LEGEND:**
- = 90° SYMBOL
  - = PROPOSED WELLHEAD
  - ◆ = ENTRY POINT
  - = TARGET BOTTOM HOLE
  - = BTM PERF.
  - ▲ = SECTION CORNERS LOCATED. (NAD 83)
  - △ = SECTION CORNERS RE-ESTABLISHED. (Not Set on Ground.) (NAD 83)

CERTIFICATE OF REGISTRATION  
THIS IS TO CERTIFY THAT THE ABOVE DESCRIBED SURVEY WAS MADE BY ME OR UNDER MY SUPERVISION AND THAT THE SAME ARE TRUE AND CORRECT TO THE BEST OF MY KNOWLEDGE AND BELIEF.

REGISTERED LAND SURVEYOR  
REGISTRATION NO. 28285  
STATE OF COLORADO

REV: 2 08-11-17 K.B. (SL MOVE)

PDOP = 1.5

NAD 83 (SURFACE LOCATION)	NAD 83 (ENTRY POINT)	NAD 83 (BTM PERF)	NAD 83 (TARGET BOTTOM HOLE)
LATITUDE = 39°58'49.85" (39.980514)	LATITUDE = 39°58'43.80" (39.978833)	LATITUDE = 39°58'43.62" (39.978783)	LATITUDE = 39°58'43.62" (39.978783)
LONGITUDE = 104°50'52.65" (104.847958)	LONGITUDE = 104°50'42.38" (104.845106)	LONGITUDE = 104°47'29.56" (104.791544)	LONGITUDE = 104°47'28.27" (104.791186)
NAD 27 (SURFACE LOCATION)	NAD 27 (ENTRY POINT)	NAD 27 (BTM PERF)	NAD 27 (TARGET BOTTOM HOLE)
LATITUDE = 39°58'49.91" (39.980531)	LATITUDE = 39°58'43.86" (39.978850)	LATITUDE = 39°58'43.68" (39.978800)	LATITUDE = 39°58'43.68" (39.978800)
LONGITUDE = 104°50'50.74" (104.847428)	LONGITUDE = 104°50'40.48" (104.844578)	LONGITUDE = 104°47'27.66" (104.791017)	LONGITUDE = 104°47'26.37" (104.790658)

**UJINTAH**  
LAND SURVEYING & LAND SUBDIVISION

**UELS, LLC**  
Corporate Office \* 85 South 200 East  
Vernal, UT 84078 \* (435) 789-1017

**WELL LOCATION PLAT**

SURVEYED BY: CHAD MEIERS, D.N. 08-10-17 SCALE: 1" = 1000'  
DRAWN BY: K.B. 03-08-17