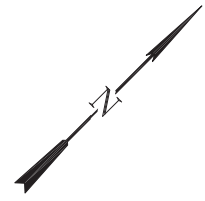
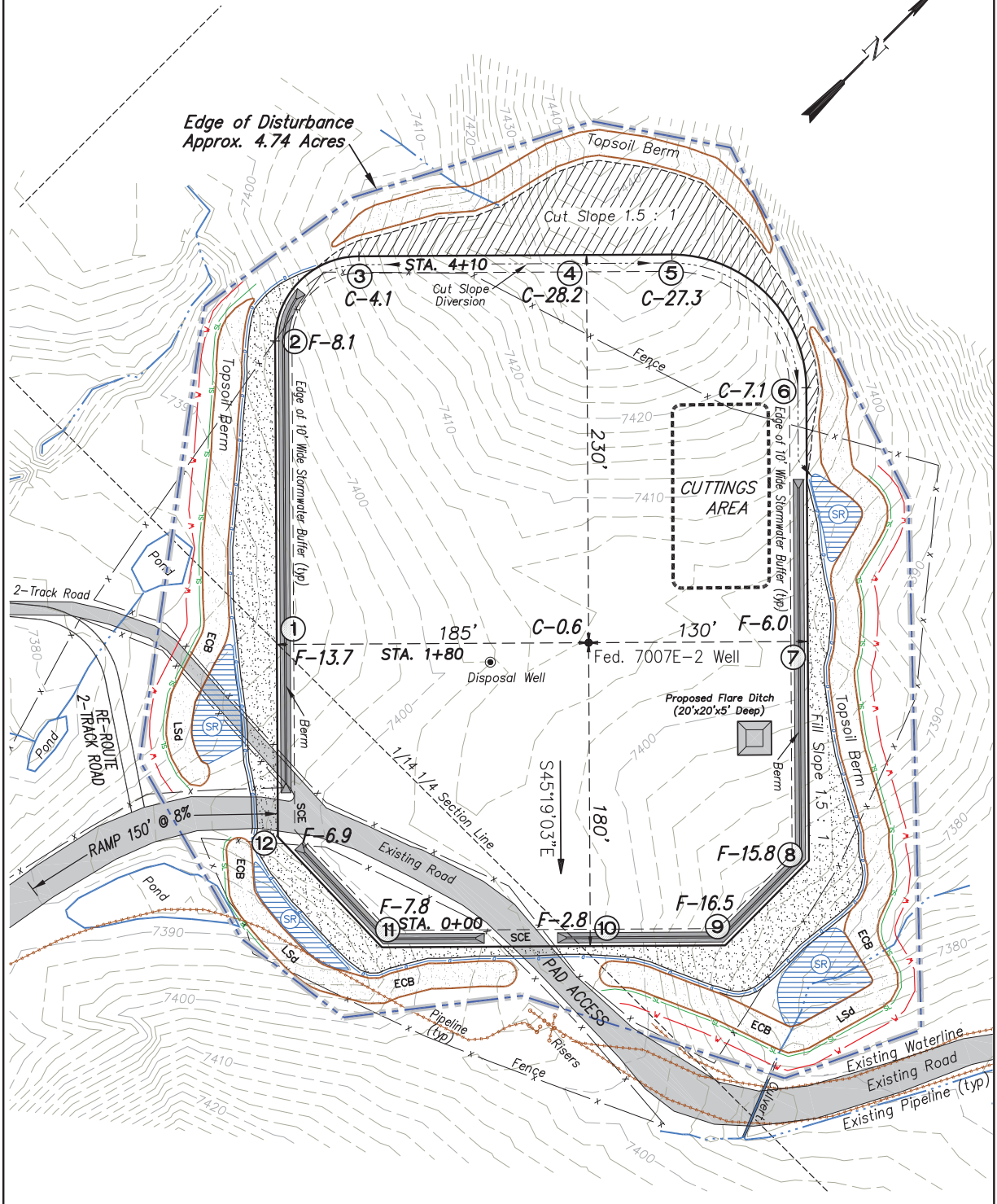


**ENCANA OIL & GAS (USA) INC.**  
**H2SW WELL PAD**  
**- PAD LAYOUT -**  
 LOCATED IN LOT 12 OF SECTION 2  
 T8S, R93W, 6TH PM, GARFIELD COUNTY, COLORADO



Total Surface Disturbance = 4.74 Acres

- NOTES:
- (1) Slope Track and/or Terrace all Slopes and Piles
  - (2) Erosion Control & Seed Topsoil
  - (3) Erosion Control & Seed Outside
  - (4) Slope away from Substructure Areas 1% to 3% to Flow Control

- LEGEND
- SL — SLASH
  - ST — SEDIMENT TRAP
  - SeSR — SEDIMENT RESERVOIR
  - R.O.D. — RUN-ON DIVERSION
  - W — PERIMETER CONTROL (WATTLES)
  - CSD — CUT SLOPE DIVERSION (BERM TOE OF CUT SLOPE)
  - D — FILL DIVERSION TO SEDIMENT TRAP
  - VB — VEGETATION BUFFER (UNDISTURBED LAND INSIDE PC)
  - FCD — FLOW CONTROL DITCH
  - PARI — PAD/ACCESS ROAD INTERFACE
  - SCE — STABILIZED CONSTRUCTION ENTRANCE
  - LSD — LEVEL SPREADER
  - ECB — EROSION CONTROL BLANKET
  - --- — TOE BERM (PLACED AT TOE OF ALL FILL SLOPES/STOCKPILES)
  - ——— — TOPSOIL BERM

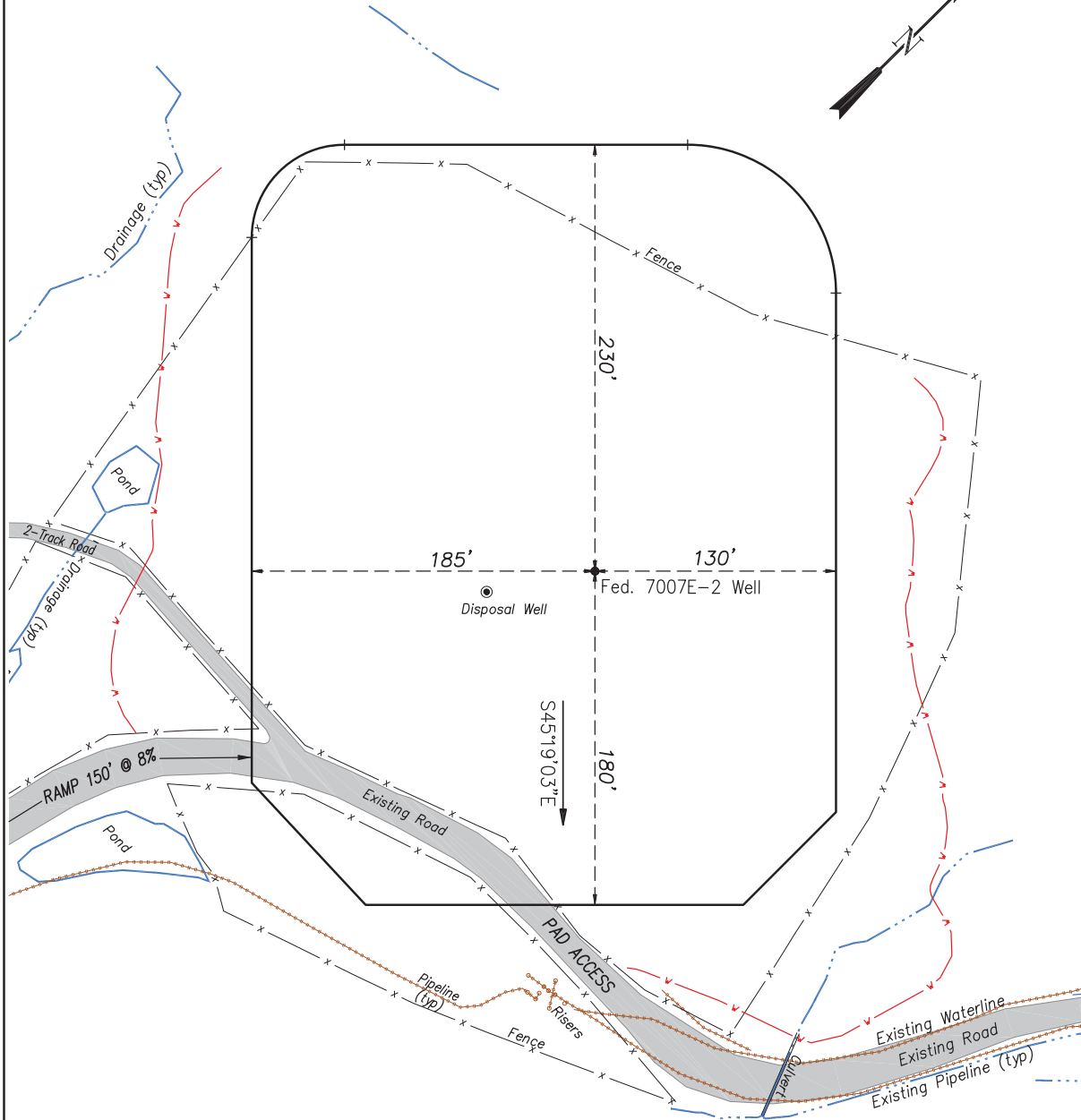
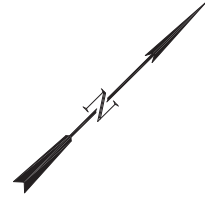
Elev. Ungraded Ground At Federal 7007E-2 (H2SW) Well Loc. Stake = 7405.8'  
 FINISHED GRADE ELEV. AT Federal 7007E-2 (H2SW) WELL LOC. STAKE = 7405.2'



906 Main Street  
 Evanston, Wyoming 82930  
 Phone No. (307) 789-4545

Well Pad Layout		Scale: 1" = 60'	SHEET
Project No.	16-04-02	Date Surveyed:	8/31/16
Date Drawn:	10/19/16	Latest Revision Date:	10/24/16
			<b>3</b>
			OF 10

**ENCANA OIL & GAS (USA) INC.**  
H2SW WELL PAD  
**- PRE-CONSTRUCTION PLAT -**  
LOCATED IN LOT 12 OF SECTION 2  
T8S, R93W, 6TH PM. GARFIELD COUNTY, COLORADO



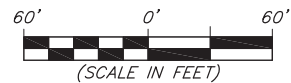
Total Surface Disturbance = 4.74 Acres

- NOTES:  
(1) Slope Track and/or Terrace all Slopes and Piles  
(2) Erosion Control & Seed Topsoil  
(3) Erosion Control & Seed Outside  
(4) Slope away from Substructure Areas 1% to 3% to Flow Control

- LEGEND  
—SL— = SLASH  
ST = SEDIMENT TRAP  
SeoR = SEDIMENT RESERVOIR  
R.O.D. = RUN-ON DIVERSION  
—W— = PERIMETER CONTROL (WATTLES)  
CSD = CUT SLOPE DIVERSION (BERM TOE OF CUT SLOPE)  
D = FILL DIVERSION TO SEDIMENT TRAP  
VB = VEGETATION BUFFER (UNDISTURBED LAND INSIDE PC)  
FCD = FLOW CONTROL DITCH  
PARI = PAD/ACCESS ROAD INTERFACE  
SCE = STABILIZED CONSTRUCTION ENTRANCE  
LSd = LEVEL SPREADER  
ECB = EROSION CONTROL BLANKET  
--- = TOE BERM (PLACED AT TOE OF ALL FILL SLOPES/STOCKPILES)  
— = TOPSOIL BERM

PRE-CONSTRUCTION PHASE COMPLETE,  
AUTHORIZATION TO CONTINUE  
CONSTRUCTION.

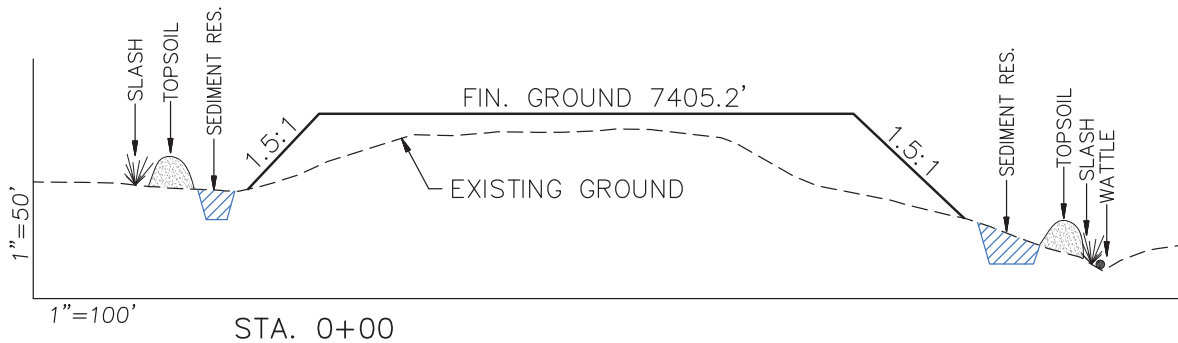
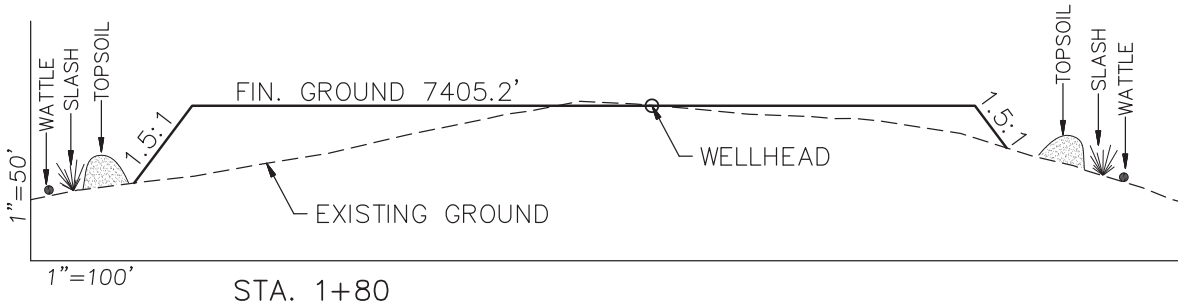
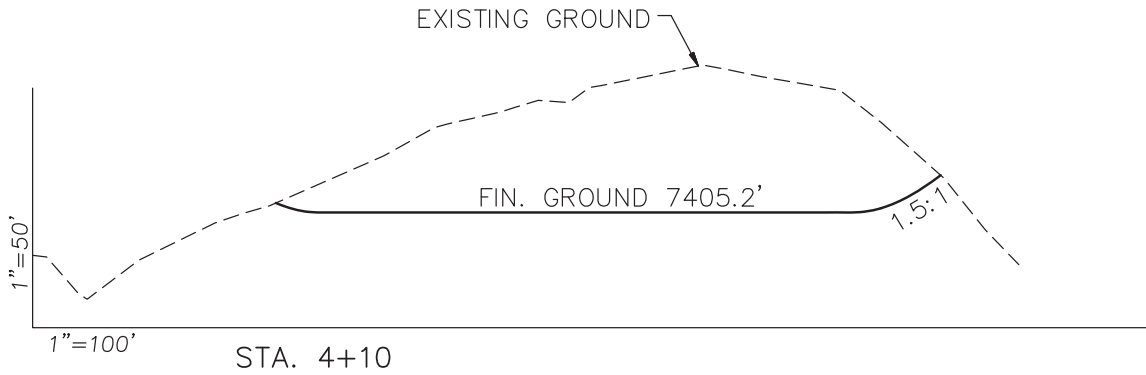
SIGNATURE: \_\_\_\_\_



906 Main Street  
Evanston, Wyoming 82930  
Phone No. (307) 789-4545

<b>Pre-Construction Plat</b>		<b>Scale: 1" = 60'</b>	<b>SHEET</b>
Project No.	16-04-02	Date Surveyed:	8/31/16
Date Drawn:	10/19/16	Latest Revision Date:	10/24/16
			<b>3a</b>
			OF 10

**ENCANA OIL & GAS (USA) INC.**  
H2SW WELL PAD  
**- CROSS SECTIONS -**  
LOCATED IN LOT 12 OF SECTION 2  
T8S, R93W, 6TH PM, GARFIELD COUNTY, COLORADO



HORIZ. SCALE: 1" = 100'  
VERT. SCALE: 1" = 50'

SURFACE DISTURBANCE (IN ACRES)	
Well Pad & Cuttings Area	2.9
Side Slopes	0.5
Topsoil & Waste Material	1.34
<b>TOTAL</b>	<b>4.78</b>

Elev. Ungraded Ground At Federal 7007E-2 (H2SW) Well Loc. Stake = **7405.8'**  
FINISHED GRADE ELEV. AT Federal 7007E-2 (H2SW) WELL LOC. STAKE = **7405.2'**

**ESTIMATED QUANTITIES**

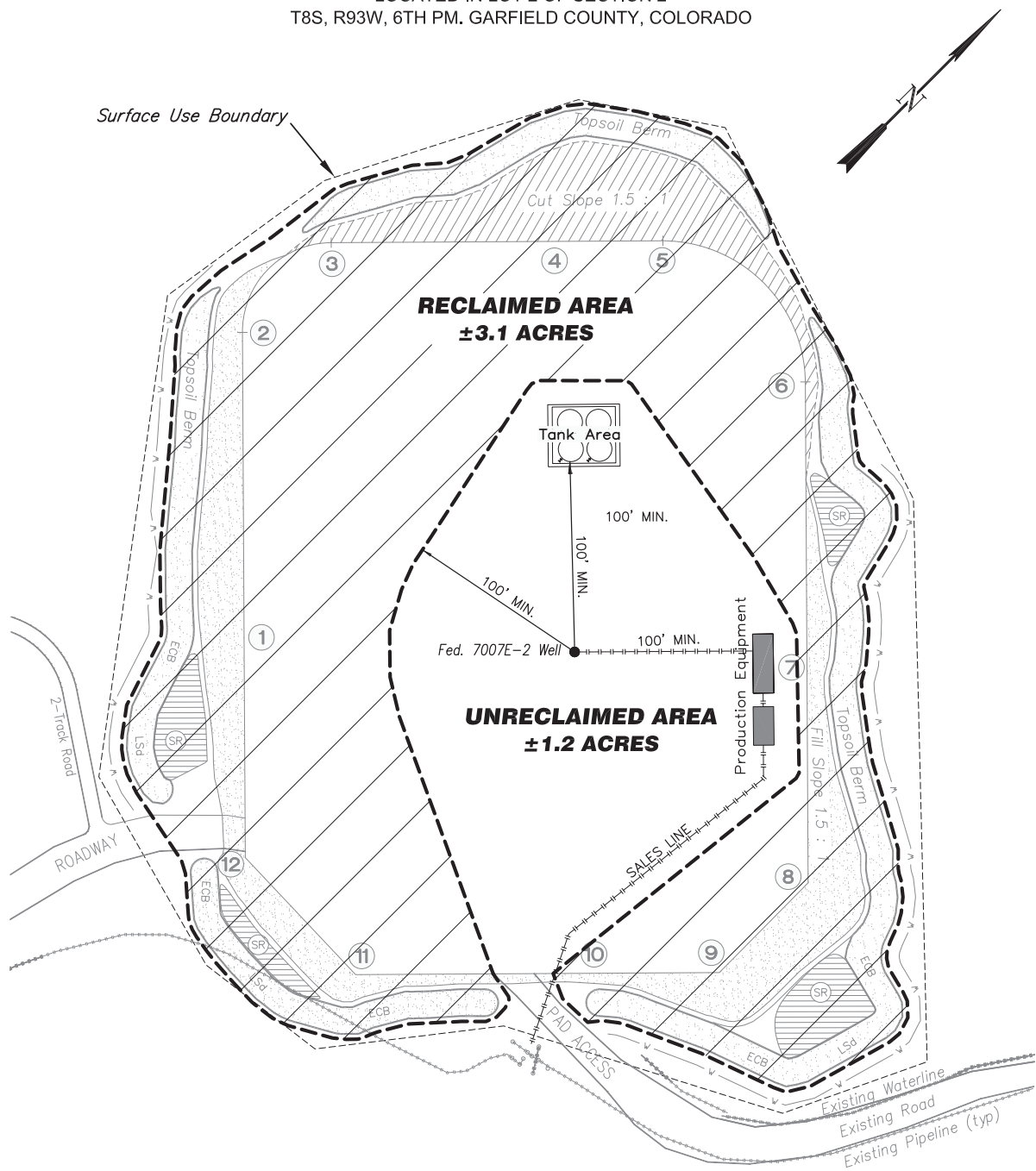
CUT = 20,766 cy  
FILL = 19,491 cy  
NET = 1,275 cy  
Topsoil estimated at 6" deep  
2,800 cy - not included above



906 Main Street  
Evanston, Wyoming 82930  
Phone No. (307) 789-4545

Cross Sections		Scale: As Shown	SHEET
Project No.	16-04-02	Date Surveyed:	8/31/16
Date Drawn:	10/19/16	Latest Revision Date:	10/24/16
			<b>4</b>
			OF 10

**ENCANA OIL & GAS (USA) INC.**  
H2SW WELL PAD  
**- RECLAMATION PLAN -**  
LOCATED IN LOT 2 OF SECTION 2  
T8S, R93W, 6TH PM. GARFIELD COUNTY, COLORADO



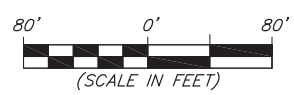
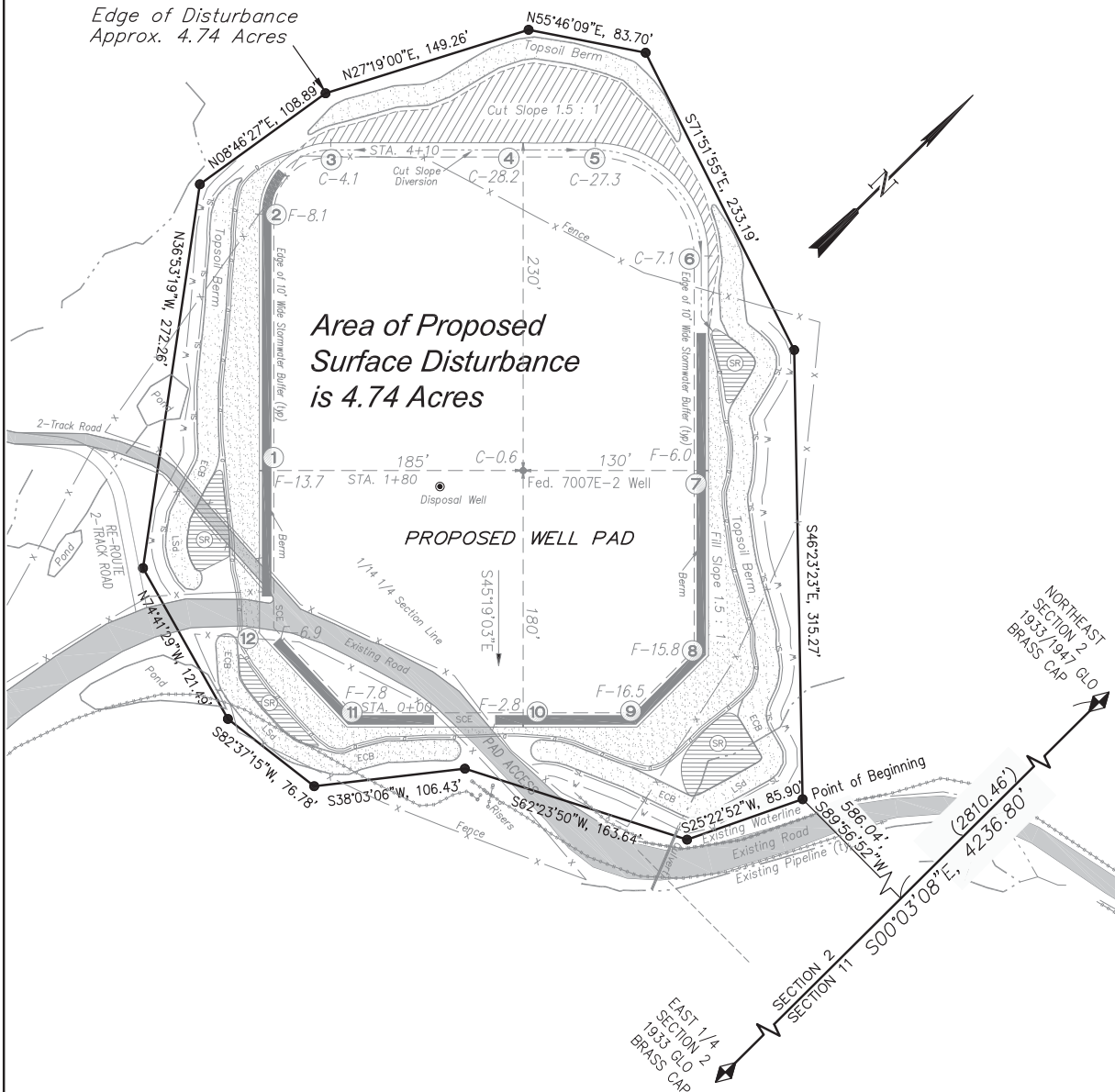
**ESTIMATED AREAS**  
RECLAIMED AREA: 3.1 ACRES  
UNRECLAIMED AREA: 1.2 ACRES  
(PRODUCTION PAD)



906 Main Street  
Evanson, Wyoming 82930  
Phone No. (307) 789-4545

<i>Reclamation Plan</i>		Scale: 1" = 60'	<b>SHEET</b> <b>6a</b> OF 10	
Project No.	16-04-02	Date Surveyed:		8/31/16
Date Drawn:	10/19/16	Latest Revision Date:		10/24/16

**ENCANA OIL & GAS (USA) INC.**  
H2SW WELL PAD  
**- SURFACE DISTURBANCE PLAT -**  
LOCATED IN LOT 12 OF SECTION 2  
T8S, R93W, 6TH PM, GARFIELD COUNTY, COLORADO



<i>Disturbance Plat</i>		Scale: 1" = 80'	SHEET <b>7</b> OF 10
Project No.	16-04-02	Date Surveyed:	
Date Drawn:	10/19/16	Latest Revision Date:	10/24/16