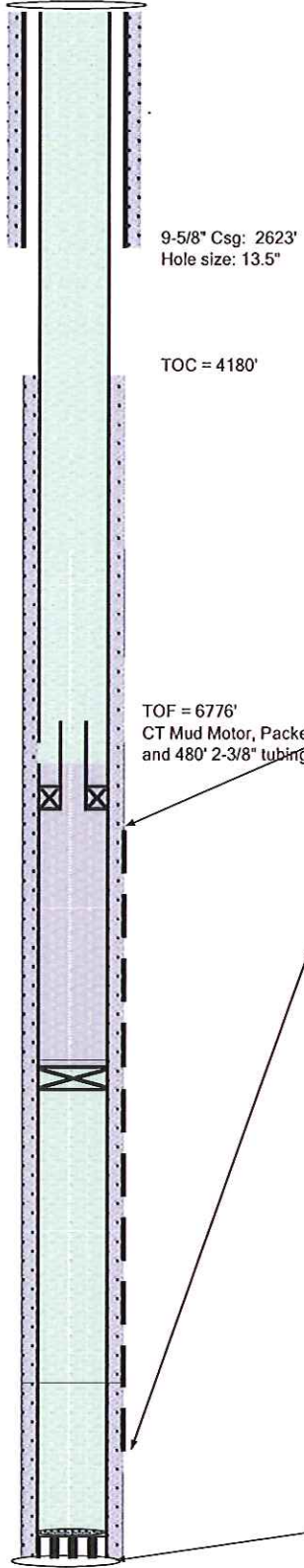


Wasatch Top:
Surface



Well Name **TR 31-3-597**
 Location **NWNE 3 5S 97W**
 Field **Trail Ridge**
 County **Garfield, CO**
 API **05-045-12539**
 Elev **8106 ft**
 Footages **1101 FNL 2198 FEL**

Spud 10/19/1994

Casing	2623'	9-5/8" 32.3#
Cement	1530 sx	
Casing	9365'	4-1/2" 11.6#
Cement	820 sx	

Tubing **N/A**

Formation Tops

Wasatch **Surface**

TOC - Bond Log 4180'

Completed Intervals

	<u>Depth</u>	<u># Holes</u>
<u>MV 8</u>	7306 - 7442	20
<u>MV 7</u>	7485 - 7587	24
<u>MV 6</u>	7628 - 7746	20
<u>MV 5</u>	7791 - 7951	20
<u>MV 4</u>	8059 - 8233	20
<u>MV 3</u>	8320 - 8408	20
<u>MV 2</u>	8450 - 8552	18
<u>MV 1</u>	8606 - 8834	19
<u>Cameo</u>	8882 - 8973	19
<u>L. Cameo</u>	9012 - 9129	18

650 sks 17 ppg cement pumped in 3 squeezes, MV 4 - MV 8

hole in casing 6770',
approx

TOF = 6776'
CT Mud Motor, Packer
and 480' 2-3/8" tubing

RBP at 8300'

TD **9365', 4-1/2" Csg, Hole Size, 7-7/8"**