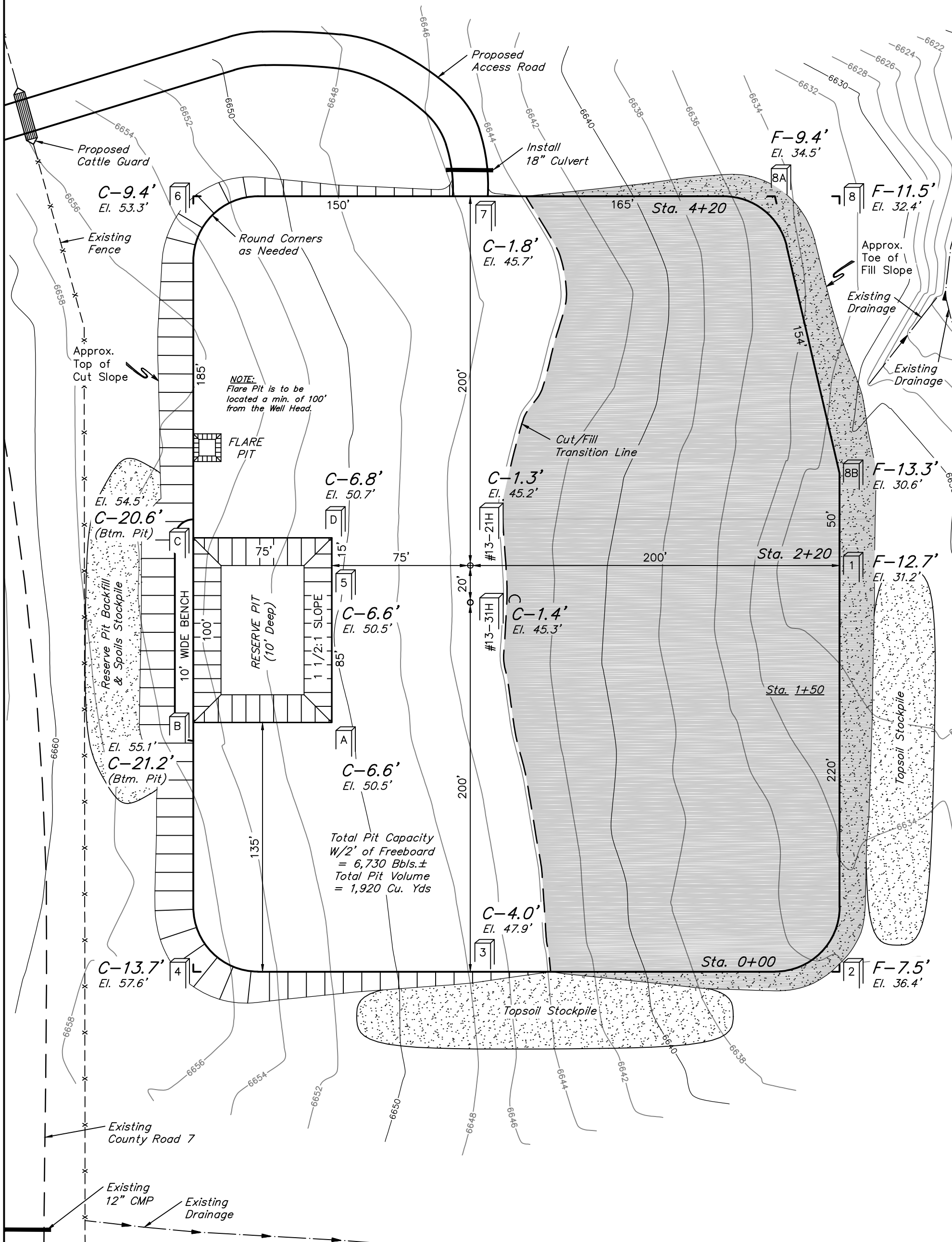
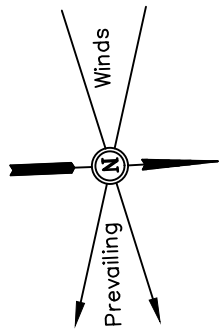


AXIA ENERGY

CONSTRUCTION LAYOUT FOR
 BULLDOG #13-31H-893 & #13-21H-893
 SECTION 13, T8N, R93W, 6th P.M.
 NW 1/4 NE 1/4

FIGURE #1

SCALE: 1" = 50'
 DATE: 09-04-13
 DRAWN BY: T.B.



Elev. Ungraded Ground At #13-21H Loc. Stake = 6645.2'
 FINISHED GRADE ELEV. AT #13-21H LOC. STAKE = 6643.9'

AXIA ENERGY

CONSTRUCTION LAYOUT CROSS SECTIONS FOR

BULLDOG #13-31H-893 & #13-21H-893

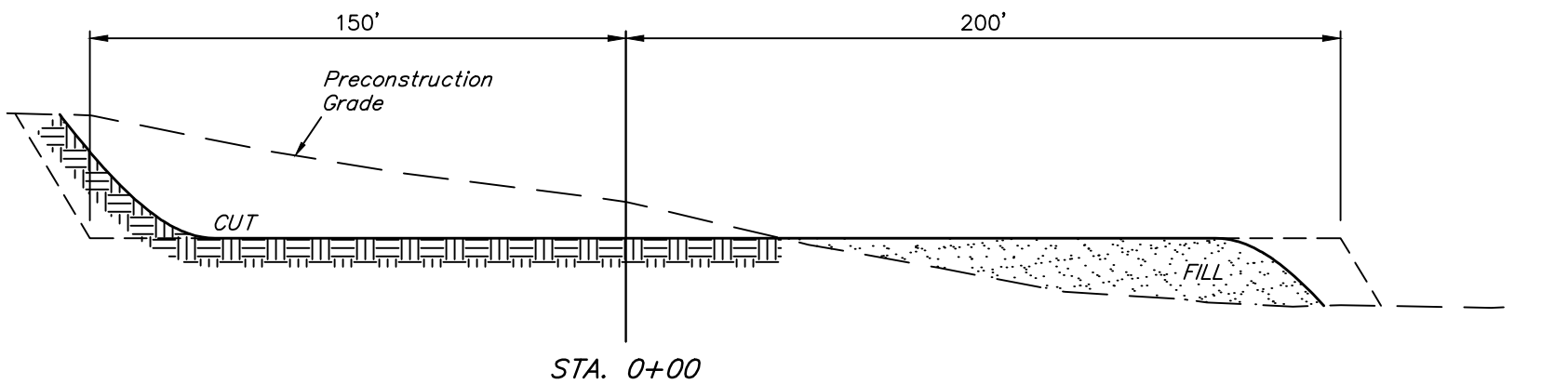
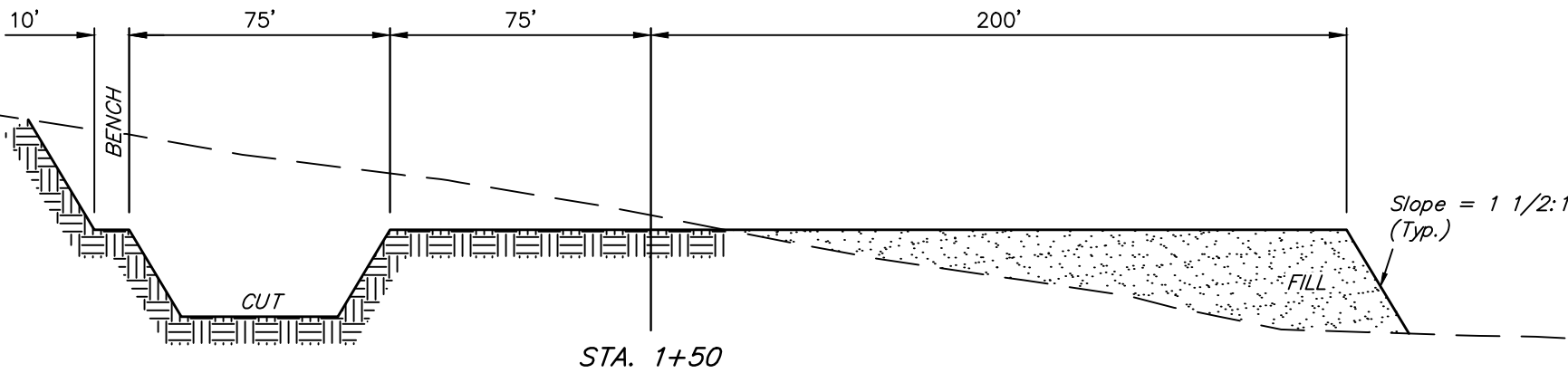
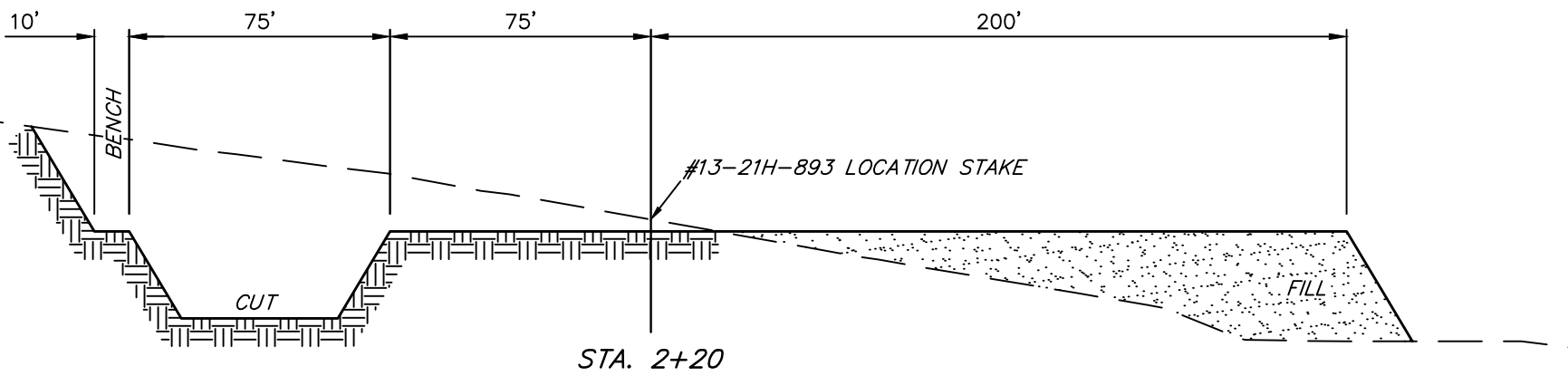
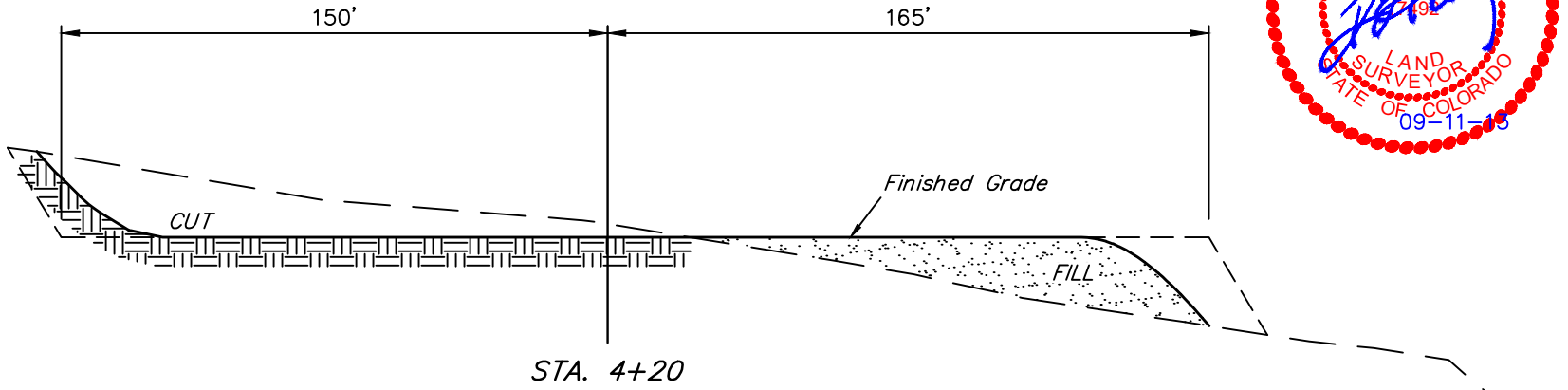
SECTION 13, T8N, R93W, 6th P.M.

NW 1/4 NE 1/4

FIGURE #2

1" = 20'
X-Section Scale
1" = 50'

DATE: 09-04-13
DRAWN BY: T.B.



NOTE:
Topsoil should not be Stripped Below Finished Grade on Substructure Area.

* NOTE:
FILL QUANTITY INCLUDES 5% FOR COMPACTION

APPROXIMATE YARDAGES

(6") Topsoil Stripping = 3,070 Cu. Yds.
Remaining Location = 19,190 Cu. Yds.
TOTAL CUT = 22,260 CU. YDS.
FILL = 18,230 CU. YDS.

EXCESS MATERIAL = 4,030 Cu. Yds.
Topsoil & Pit Backfill = 4,030 Cu. Yds. (1/2 Pit Vol.)
EXCESS UNBALANCE = 0 Cu. Yds. (After Interim Rehabilitation)

APPROXIMATE ACREAGE
WELL SITE DISTURBANCE = ± 4.199 ACRES
ACCESS ROAD DISTURBANCE = ± 0.234 ACRES
TOTAL = ± 4.433 ACRES

UINTAH ENGINEERING & LAND SURVEYING
85 So. 200 East * Vernal, Utah 84078 * (435) 789-1017