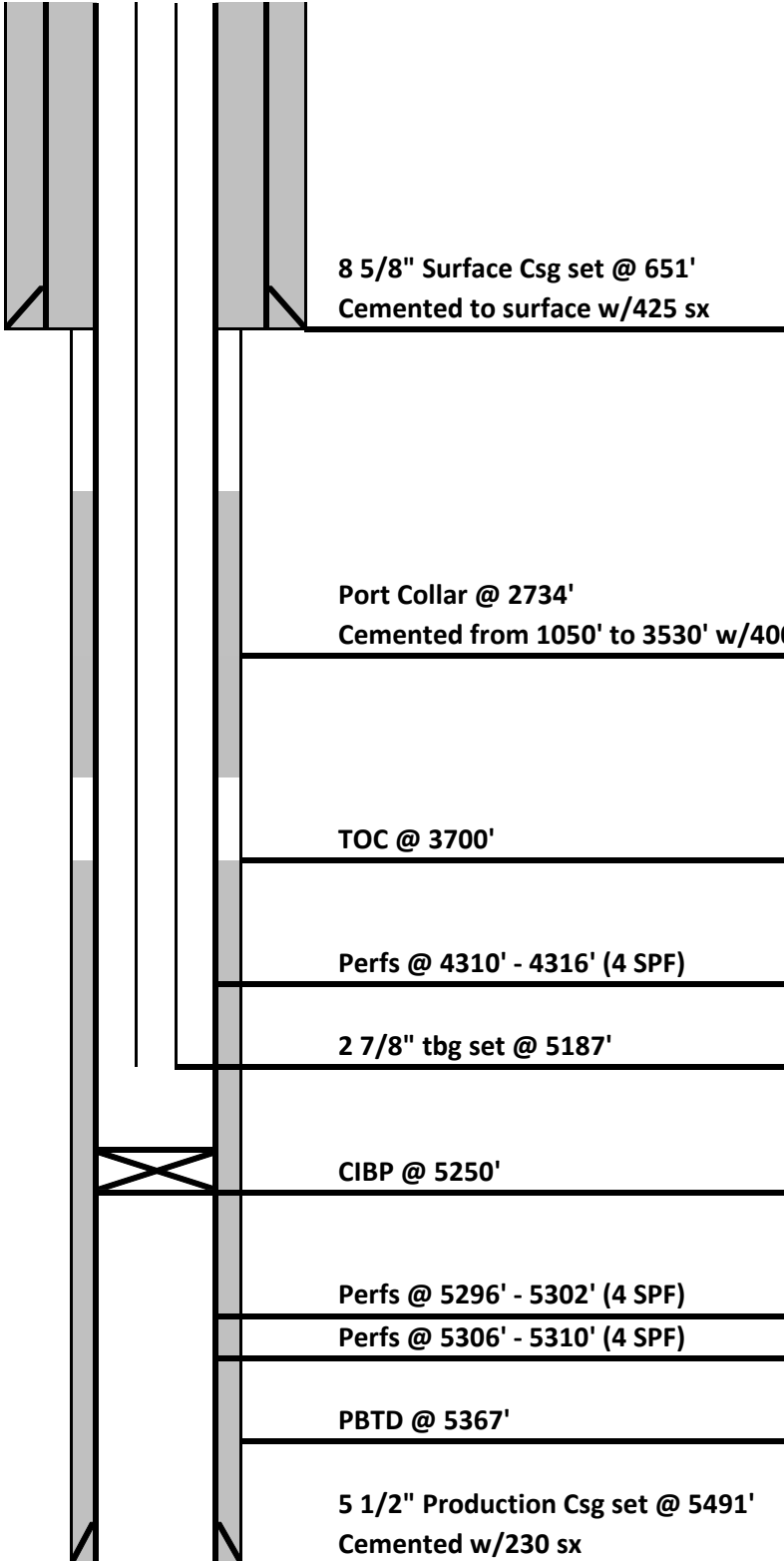




**DRILLING COMPANY, INC.**  
**WICHITA, KANSAS**

**Wellbore Diagram**



Date: 9/20/2013  
 Well Name: APC-Baughman Unit #1-35  
 Location: 660' FSL & 330' FWL  
SW/4 SW/4 35-16S-45W  
 County: Cheyenne  
 State: Colorado  
 API: 05-017-07755-00  
 Spud Date: 7/19/2013

Hole Size: 12 1/4"  
 Surface Casing: Set @ 651' (8 5/8")  
 Cemented with: 425 sx  
 Production Csg: Set @ 5491' (5 1/2")  
 Cemented with: 230 sx

**Log Tops:**

Shawnee	3838
Heebner Shale	4034
Lansing	4059
Marmaton	4464
Fort Scott	4566
Cherokee Shale	4621
Atoka	4782
Morrow Shale	4926
Keyes	5046
Spergen	5264
Harrison	5428
Osage	5443
RTD	5490
LTD	5492