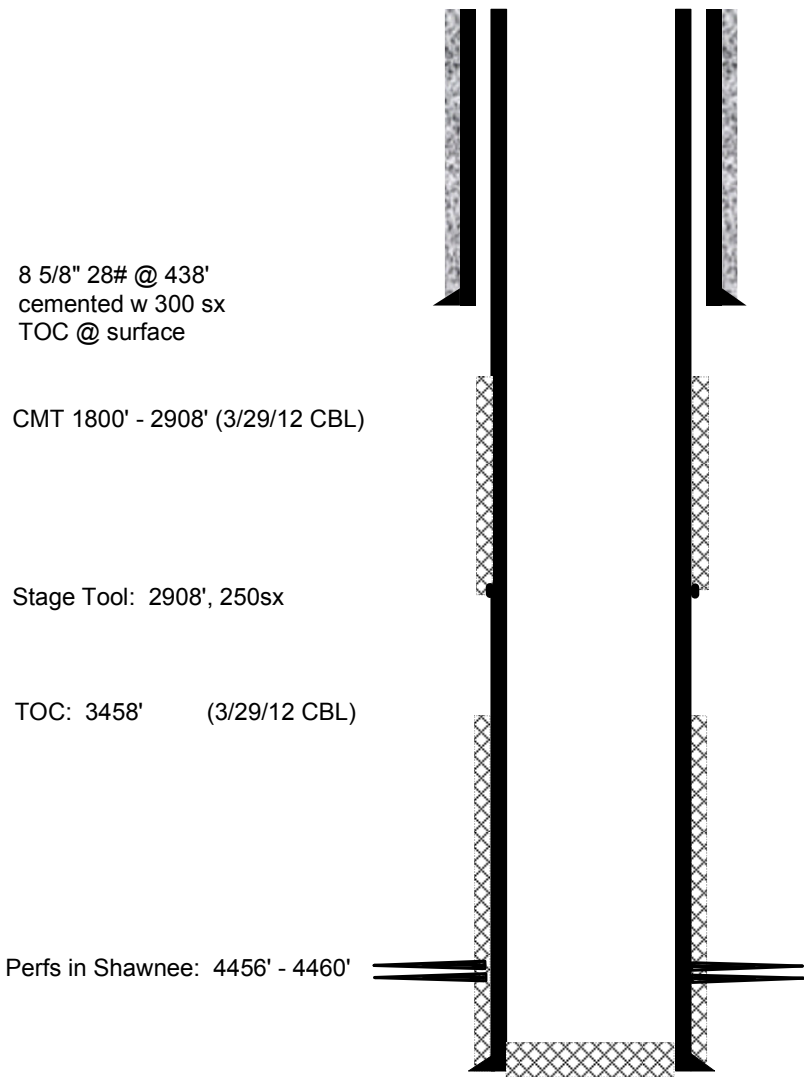


**Red Lady 1-36  
(Producer)**  
Kuenzler & Flora Reserve Corp.

1054 ft

**Shady Lady 1  
(Injector)**  
Pronghorn Operating, a subsidiary of Kuenzler & Flora Reserve Corp



8 5/8" 28# @ 438'  
cemented w 300 sx  
TOC @ surface

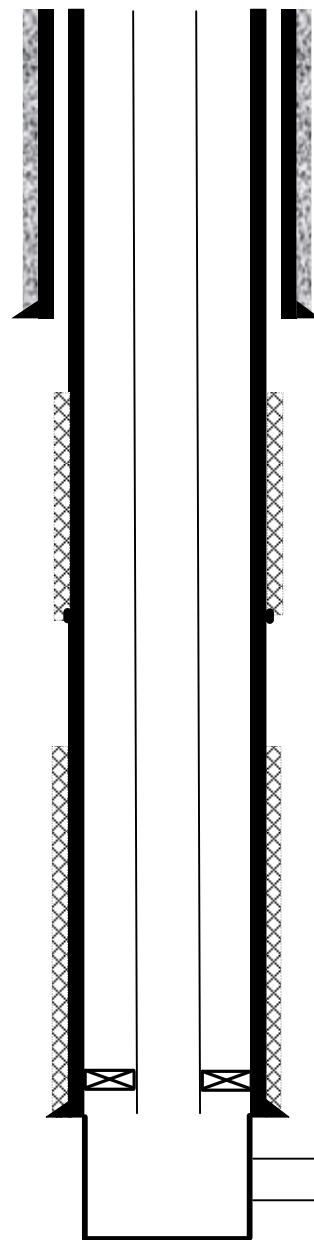
CMT 1800' - 2908' (3/29/12 CBL)

Stage Tool: 2908', 250sx

TOC: 3458' (3/29/12 CBL)

Perfs in Shawnee: 4456' - 4460'

\* The proposed Shady Lady 1 injector will receive produced water from the nearby Red Lady 1-36



8 5/8" 24# @ 473'  
cemented to surface w 275sx

CMT 460' - 2984' (5/30/13 CBL)

Stage Tool: 2965', CMT w 200sx

TOC: 3110' (5/30/13 CBL)

2-3/8" tbg, Packer @ 4925'

5.5" 15.5# CSG to 4948'  
CMT w 225sx

Injection Zone in the open hole  
Lansing porosity at 4980'-5000'

TD 5053'