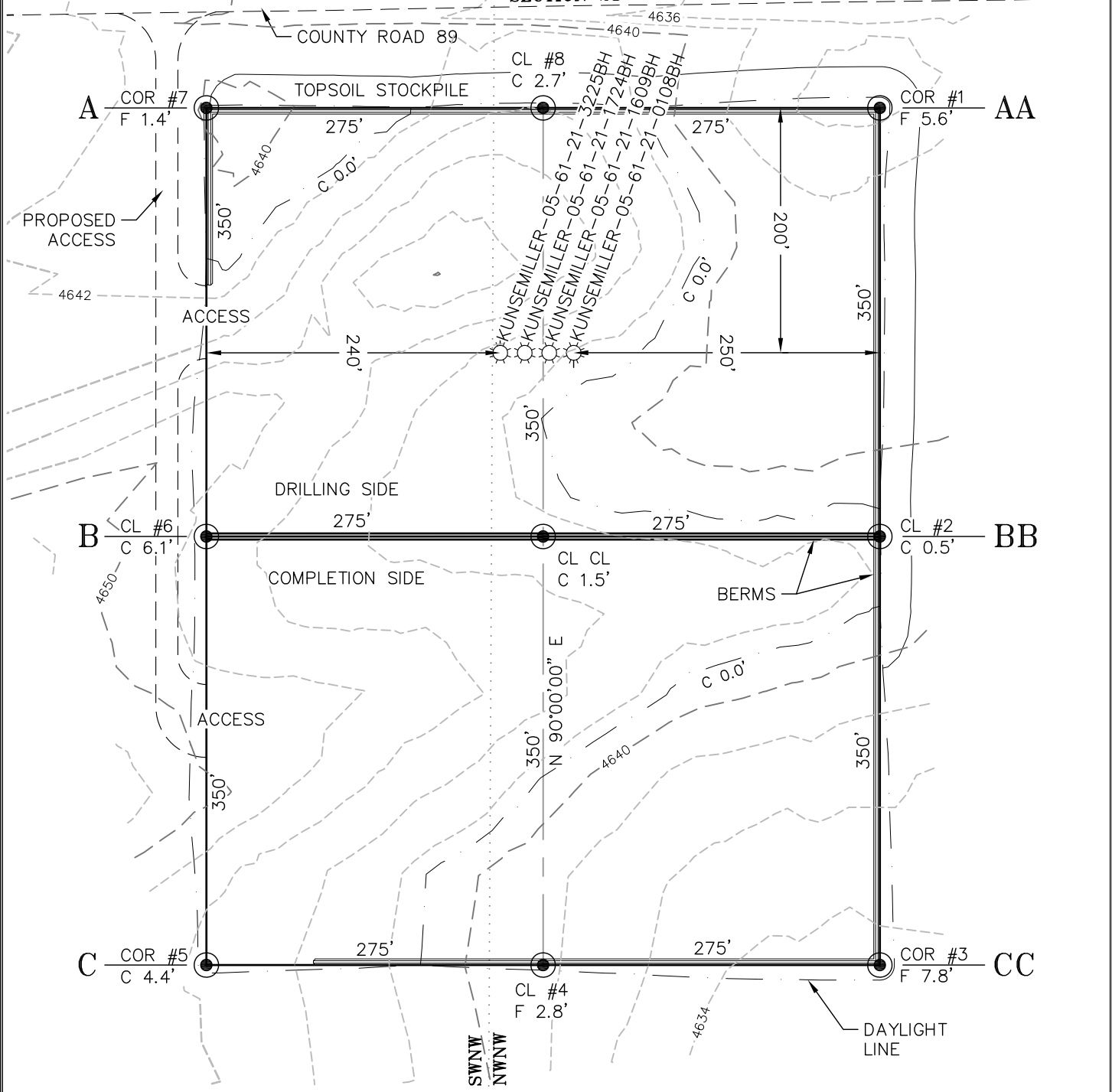


SECTION 20
SECTION 21



ESTIMATED DIRT QUANTITIES				
ITEM	CUT	FILL	TOPSOIL	EXCESS
PAD	30736	15631	14790	315

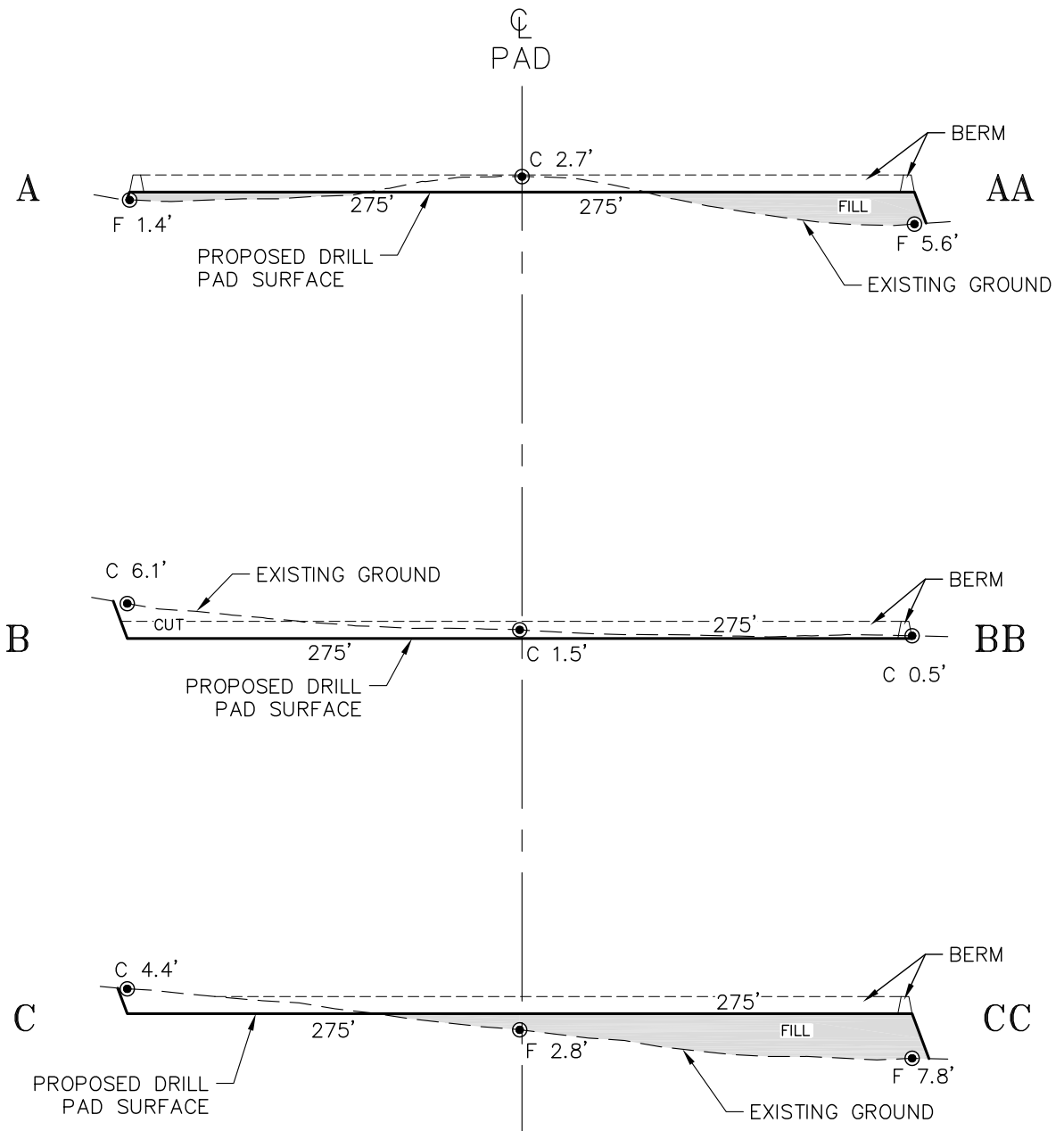
- NOTES:
- 1) TOPSOIL VOLUME BASED ON 12" TOPSOIL DEPTH. BERM TOPSOIL AROUND DAYLIGHT LINE.
 - 2) WELL SPACING IS 20' ON CENTER.
 - 3) 1-1/2:1 SIDESLOPES UNLESS OTHERWISE NOTED.
 - 4) CONTOUR INTERVAL IS 2 FEET.

ECLIPSE
Surveying, Inc.
230 MAIN STREET, FORT MORGAN, CO 80701
(970) 370-2263

REV. DATE: _____
 SCALE: 1" = 120'
 DATE: 5/21/13
 SHEET: 2 OF 8
 PROJECT: KUNSE
 DFT: TAB

Bill Barrett Corporation

KUNSEMILLER 5-61-21 PAD
GRADING PLAN & PAD LAYOUT



SCALE: Horiz.: 1" = 120'
 Vert. : 1" = 30'

NOTE:
 ALL PROPOSED CUT AND FILL
 SIDE SLOPES ARE AT 1.5:1
 UNLESS OTHERWISE NOTED.



ECLIPSE
 Surveying, Inc.
 230 MAIN STREET, FORT MORGAN, CO 80701
 (970) 370-2263

REV. DATE:	
SCALE:	1" = 120'
DATE:	5/21/13
SHEET:	3 OF 8
PROJECT:	KUNSE
DFT:	TAB



Bill Barrett Corporation

*KUNSEMILLER 5-61-21 PAD
 DRILL PAD CROSS SECTIONS*



COUNTY ROAD 89

SECTION 20
SECTION 21

4640

4636

TOPSOIL STOCKPILE

4642

PROPOSED ACCESS

ACCESS

PROPOSED WELLS
SEE GRADING PLAN &
PAD LAYOUT FOR
DRILLING SEQUENCE &
SPACING

DRILLING SIDE

COMPLETION SIDE

ACCESS

4650

MINIMS
MINMN

4640

4634

Mud Tank

Mud Tank

Mud Tank

Water Tank
Boiler
Generator
Generator
Fuel Tank
Mud Pump
Mud Pump
Mud Pump
Mud Tank



ECLIPSE
Surveying, Inc.

230 MAIN STREET, FORT MORGAN, CO 80701
(970) 370-2263

REV. DATE:	
SCALE:	1" = 120'
DATE:	5/21/13
SHEET:	4 OF 8
PROJECT:	KUNSE
DFT:	TAB



Bill Barrett Corporation

*KUNSEMILLER 5-61-21 PAD
DRILL RIG LAYOUT*