

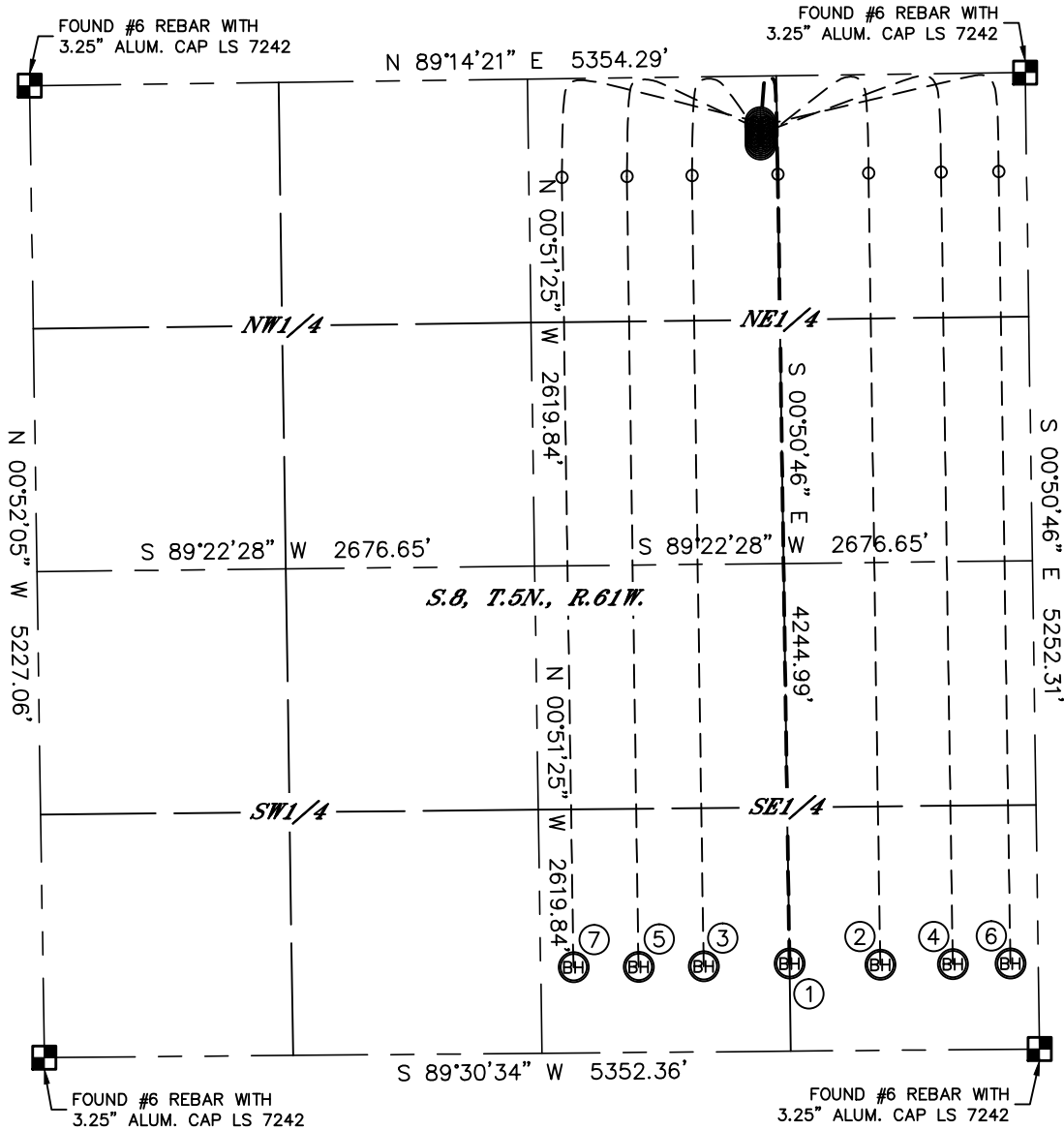


MULTI-WELL PLAN

SECTION: 8
TOWNSHIP: 5N
RANGE: 61W

PRONGHORN P-8 PAD

THIS MAP DOES NOT REPRESENT A BOUNDARY SURVEY



①

SURFACE LOCATION
 PRONGHORN P-T-8HNB
 370' FNL
 1429' FEL
 LAT: 40.42185°N
 LONG: 104.22880°W

②

SURFACE LOCATION
 PRONGHORN A2-8HNB
 350' FNL
 1429' FEL
 LAT: 40.42191°N
 LONG: 104.22880°W

③

SURFACE LOCATION
 PRONGHORN A3-8HNB
 330' FNL
 1429' FEL
 LAT: 40.42196°N
 LONG: 104.22880°W

④

SURFACE LOCATION
 PRONGHORN A4-8HNB
 310' FNL
 1429' FEL
 LAT: 40.42202°N
 LONG: 104.22880°W

⑤

SURFACE LOCATION
 PRONGHORN A5-8HNB
 290' FNL
 1429' FEL
 LAT: 40.42207°N
 LONG: 104.22880°W

⑥

SURFACE LOCATION
 PRONGHORN A6-8HNB
 270' FNL
 1429' FEL
 LAT: 40.42213°N
 LONG: 104.22880°W

⑦

SURFACE LOCATION
 PRONGHORN A7-8HNB
 250' FNL
 1429' FEL
 LAT: 40.42218°N
 LONG: 104.22880°W

LEGEND

- = ALIQUOT MONUMENT AS DESCRIBED
- = CALCULATED POSITION



DATE: rev.2/25/2013
 PROJECT#: 2012073

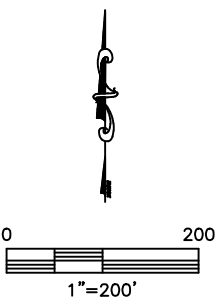
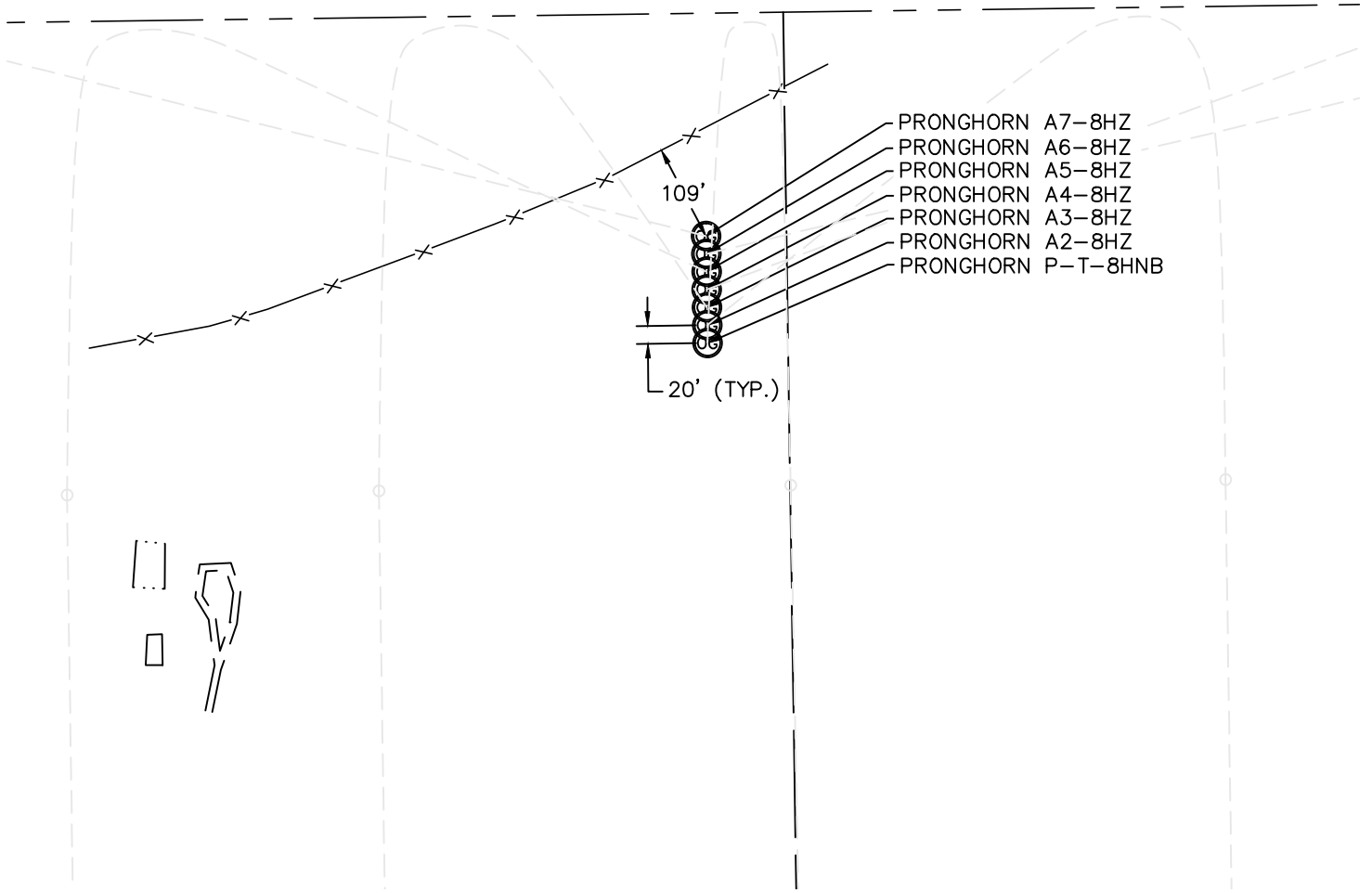


Lat40°, Inc. 1635 Foxtrail Drive, Suite 325 Loveland, CO 970-776-3321

MULTI-WELL PLAN

PRONGHORN P-8 PAD

SECTION: 8
TOWNSHIP: 5N
RANGE: 61W



DATE: rev.2/25/2013
PROJECT#: 2012073