

T4S, R96W, 6th P.M.

Encana OIL & GAS (USA) INC.

1953 Brass Cap
0.7' High, Mound of
Stones, Steel Post
Lat: 39.680564°
Long: 108.164133°

1953 Brass Cap
0.5' High
Lat: 39.680561°
Long: 108.154725°

1953 Brass Cap
0.8' High, Steel
Post
Lat: 39.680583°
Long: 108.145383°

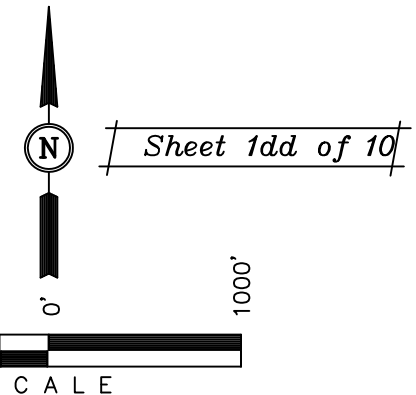
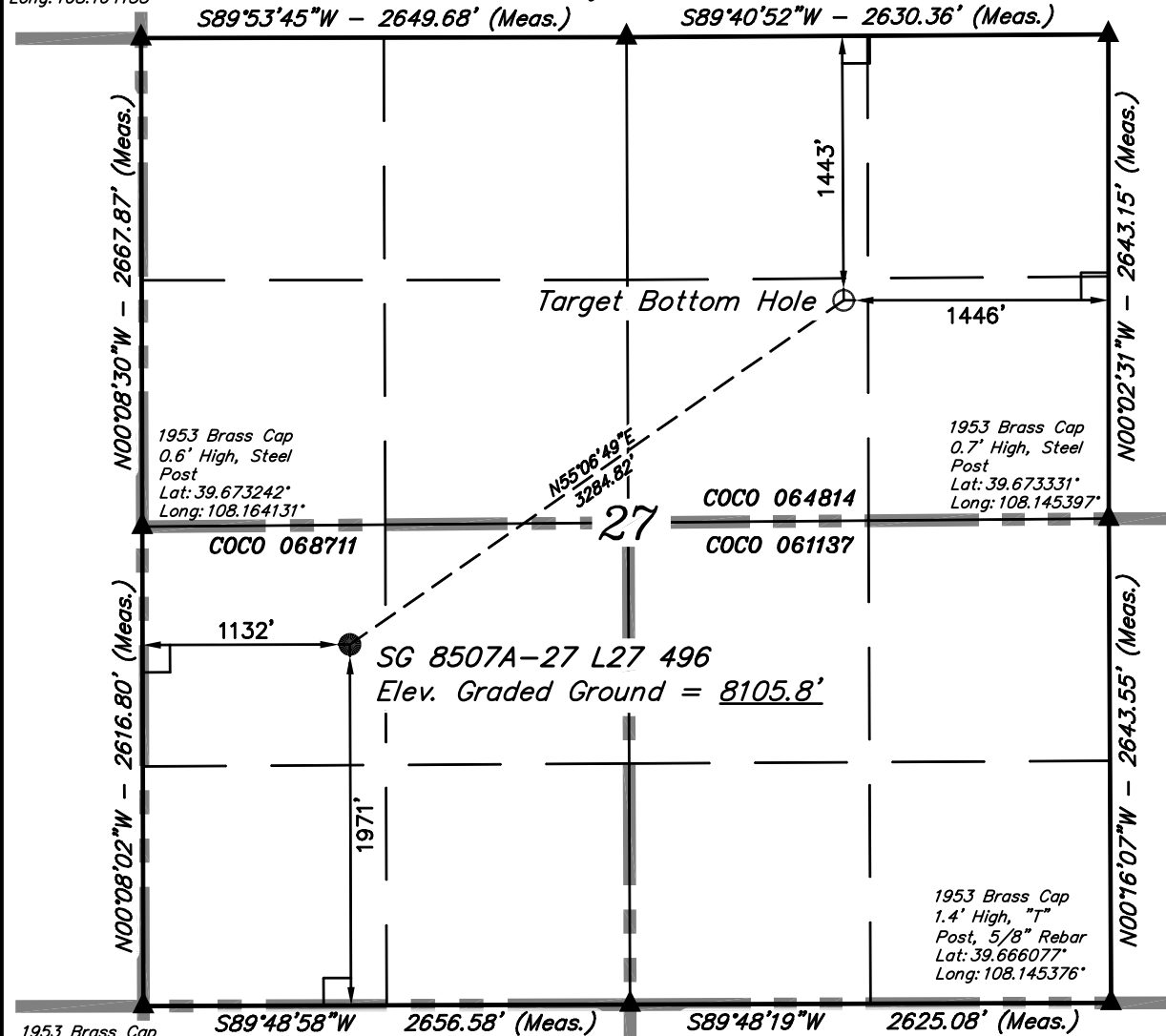
Well location, SG 8507A-27 L27 496, located as shown in the NW 1/4 SW 1/4 of Section 27, T4S, R96W, 6th P.M., Garfield County, Colorado.

BASIS OF ELEVATION

BENCH MARK (H79) LOCATED IN THE NE 1/4 OF SECTION 35, T4S, R98W, 6th P.M. TAKEN FROM THE BULL FORK QUADRANGLE, COLORADO, 7.5 MINUTE SERIES (TOPO GRAPHICAL MAP) PUBLISHED BY THE UNITED STATES DEPARTMENT OF THE INTERIOR, GEOLOGICAL SURVEY. SAID ELEVATION IS MARKED AS BEING 8535 FEET.

BASIS OF BEARINGS

BASIS OF BEARINGS IS A G.P.S. OBSERVATION.



CERTIFICATE

THIS IS TO CERTIFY THAT THE ABOVE PLAT WAS PREPARED FROM FIELD NOTES OF ACTUAL SURVEYS MADE BY ME OR UNDER MY SUPERVISION AND THAT THE SAME ARE TRUE AND CORRECT TO THE BEST OF MY KNOWLEDGE AND BELIEF.

REGISTERED LAND SURVEYOR
REGISTRATION NO. 17493
STATE OF COLORADO

REVISED: 12-19-12

UINTAH ENGINEERING & LAND SURVEYING
85 SOUTH 200 EAST - VERNAL, UTAH 84078
(435) 789-1017

1953 Brass Cap
0.9' High, Steel
Post
Lat: 39.666061°
Long: 108.164131°

NOTE:
SEE SHEET 7A FOR EXISTING
IMPROVEMENTS WITHIN 400' OF THE
PROPOSED WELL DISTURBANCE.

1953 Brass Cap
0.5' High, 5/8"
Rebar
Lat: 39.666069°
Long: 108.154697°

LEGEND:

- └─┘ = 90° SYMBOL
- = PROPOSED WELL HEAD.
- ▲ = SECTION CORNERS LOCATED.

PDOP = 2.0

NAD 83 (TARGET BOTTOM HOLE)		NAD 83 (SURFACE LOCATION)	
LATITUDE = 39°40'35.80" (39.676611)	LONGITUDE = 108°09'01.90" (108.150528)	LATITUDE = 39°40'17.30" (39.671472)	LONGITUDE = 108°09'36.40" (108.160111)
NAD 27 (TARGET BOTTOM HOLE)		NAD 27 (SURFACE LOCATION)	
LATITUDE = 39°40'35.89" (39.676636)	LONGITUDE = 108°08'59.61" (108.149892)	LATITUDE = 39°40'17.39" (39.671497)	LONGITUDE = 108°09'34.11" (108.159475)

SCALE 1" = 1000'	DATE SURVEYED: 07-31-12	DATE DRAWN: 09-27-12
PARTY B.B. B.J. M.D.	REFERENCES G.L.O. PLAT	
WEATHER WARM	FILE ENCANA OIL & GAS (USA) INC.	