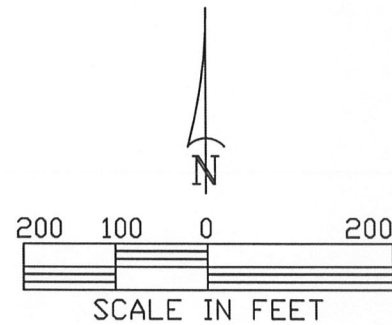



- A - 500' RADIUS FROM CENTER OF DISTURBANCE AREA
- B - TOWER TRACK APPROX 421' SW
- C - TOWER TRACK APPROX 238' SW
- D - 200' X 200' DISTURBANCE AREA
- E - TOWER TRACK APPROX 54' SW
- F - LOCATION
- G - TOWER TRACK APPROX 129' NE
- H - TOWER TRACK APPROX 310' NE
- I - TOWER TRACK APPROX 492' NE

- Location
- x— Fence Line
- · - Half-Sec. Line
- - - Section Line
- OP— Overhead Powerline



 <p style="font-size: 24pt; margin: 0;"><b>GREAT PLAINS SURVEYING, INC.</b></p>	LOCATION DRAWING
	SKOLD RANCH 946-14-12
	SCALE 1" = 200'
	SEDGWICK COUNTY, COLORADO

20575 Co. Rd. 21    Phone 970-774-3602  
Haxtun, CO 80731    Fax 970-774-3601

L149N46GPS

9402-255