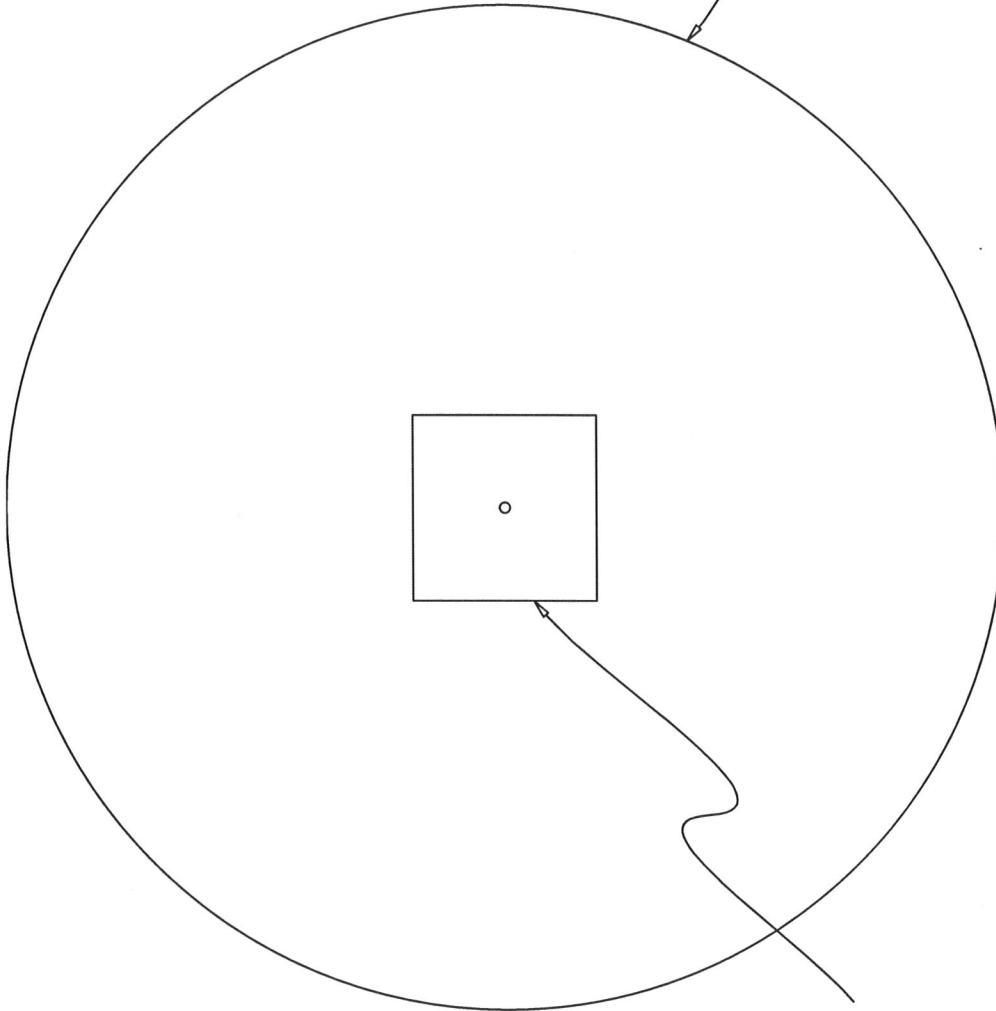
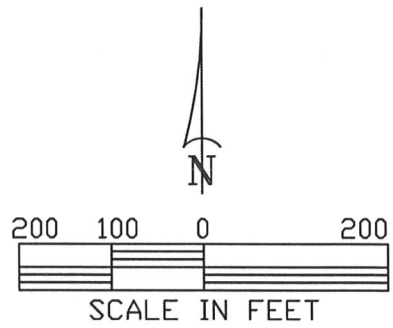



500' RADIUS FROM CENTER OF  
DISTURBANCE AREA



200'X200' DISTURBANCE AREA

- Location
- x — Fence Line
- · - · - Half-Sec. Line
- - - Section Line
- OP — Overhead Powerline



 <b>GREAT PLAINS SURVEYING, INC</b>	LOCATION DRAWING
	RAFERT 843-22-22
	SCALE 1" = 200'
	PHILLIPS COUNTY, COLORADO

20575 Co. Rd. 21 Phone 970-774-3602  
Haxtun, CO 80731 Fax 970-774-3601

L228N43GPS

9402-229