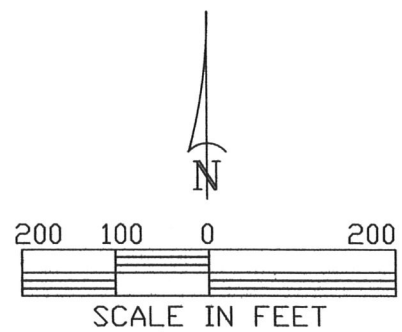



- Location
- x — Fence Line
- · · - Half-Sec. Line
- - - Section Line
- OP — Overhead Powerline



 <p>GREAT PLAINS SURVEYING, INC</p>	LOCATION DRAWING
	SCHLACHTER 843-31-24
	SCALE 1" = 200'
	PHILLIPS COUNTY, COLORADO
20575 Co. Rd. 21 Phone 970-774-3602 Haxtun, CO 80731 Fax 970-774-3601	