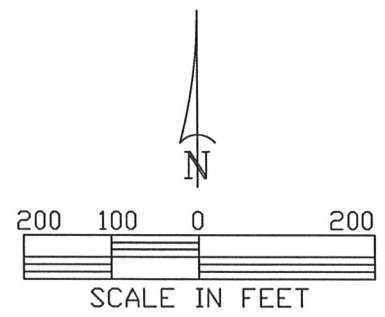



- Location
- x — Fence Line
- · · — Half-Sec. Line
- - - — Section Line
- OP — Overhead Powerline



 <p>GREAT PLAINS SURVEYING, INC.</p> <p>20575 Co. Rd. 21 Phone 970-774-3602 Haxtun, CO 80731 Fax 970-774-3601</p>	LOCATION DRAWING
	DIRKS 943-28-24
	SCALE 1" = 200'
	PHILLIPS COUNTY, COLORADO