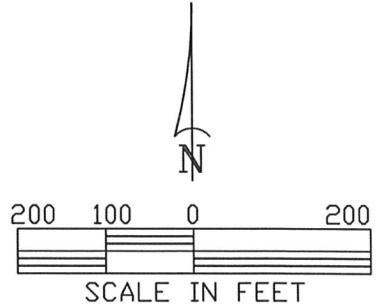


- Location
- x — Fence Line
- · - Half-Sec. Line
- - - Section Line
- x — Overhead Powerline




GREAT PLAINS SURVEYING, INC
 20575 Co. Rd. 21 Phone 970-774-3602
 Haxtin, CO 80731 Fax 970-774-3601

LOCATION DRAWING
CLAYMON 843-6-32-L10
SCALE 1" = 200'
PHILLPS COUNTY. COLORADO